

### Features

- A perfect complement to our Components suite of products
- Suitable for any living space, allowing you to create a cohesive design aesthetic throughout your home
- Dimmable, integrated LED emits beautiful ambient light at the perfect color temperature
- This piece is designed to be filled with distilled water or reverse osmosis (RO) water to reflect light throughout the room
- Can be positioned up or down depending upon room setting
- Suitable for damp locations, per UL 1598

### Material

- Manufactured with quality materials and complemented with a meticulous finishing process
- Durable finishes engineered to last and designed to coordinate with KOHLER faucet finishes



### Codes/Standards

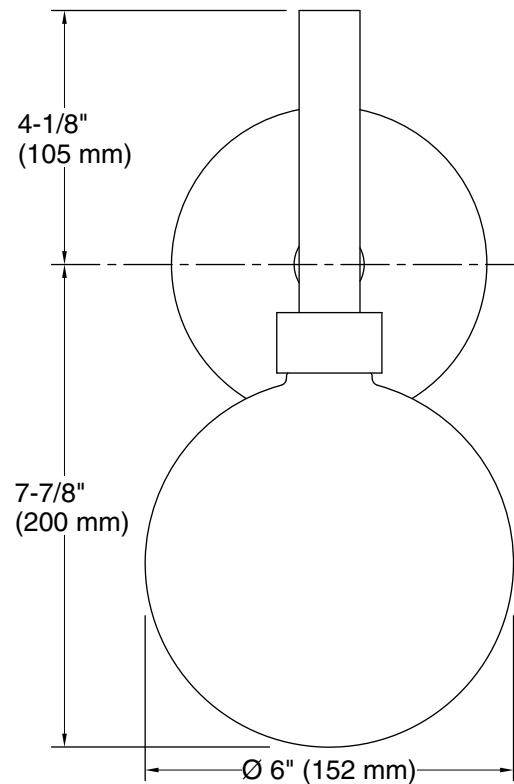
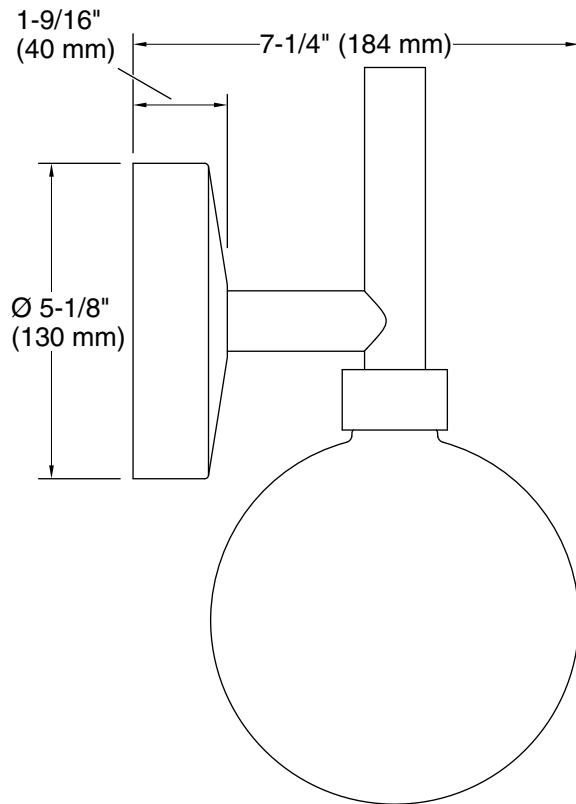
California Energy Commission (CEC)  
UL 1598  
CSA C22.2 No. 250.0  
CA Title 24 JA8  
cETL Listed  
ETL Listed

See website for detailed warranty information.

### Available Colors/Finishes

*Color tiles intended for reference only.*

Color	Code	Description
	SNL	Polished Nickel
	CPL	Polished Chrome
	BLL	Matte Black
	2GL	Brushed Moderne Brass



### Required Electrical Service

One circuit required.

Lights: 120 V, 0.977 A, 60 Hz

### Technical Information

All product dimensions are nominal.

Material: Steel, Aluminum, Glass

Number of Lights: 1

Lighting Type: Integrated LED

Number of Shades: 1

Shade Type: Glass - clear

Hanging Type: Non-hanging

Electrical component rating: LED: 60 Hz, 10 W, 450 Lumens, 3000K