



Builder's Best, Inc.
 201 Broiles Drive
 Jacksonville, TX 75766
 903-586-8283
 sales@venting.biz
 BuildersBest.com

GWM604 Mill Finish Galvanized Heavy Gauge Hood with Screen

2020 REDESIGN



PN 12469



PN 12469

DESCRIPTION

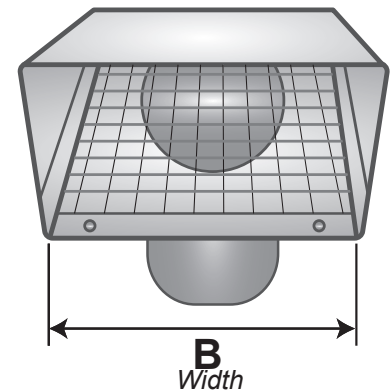
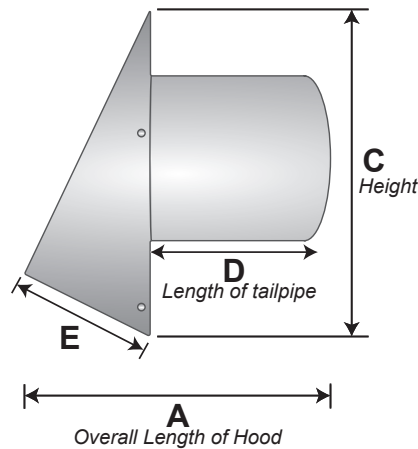
The GWM604 is a heavy duty galvanized wall vent hood.

PRODUCT FEATURES

- Riveted construction
- 4 mounting holes for secure connections
- Available without tailpipe, with 6" tailpipe or 11" tailpipe
- Tailpipe features 360° mechanical seam

PRODUCT SPECIFICATIONS

- 26 gauge galvanized mill finish steel
- ¼" x ¼" screen mechanically inserted and removable



PART NUMBERS & DIMENSIONS

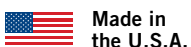
Dia.	Tail	Flapper	Screen	Each #	Qty	Case #	Pkg	A (in.)	B (in.)	C (in.)	D (in.)	E (in.)	Open Area
4"	n/a	n/a	¼"x¼" removable	11215	20	111215	Bulk	3.375	5.25	7	n/a	4	18.75
4"	6"	n/a	¼"x¼" removable	11076	12	111076	Bulk	8.875	5.25	7	5.5	4	18.75
4"	11"	n/a	¼"x¼" removable	11087	12	011088	Bulk	14.5	5.25	7	11.25	4	18.75
5"	n/a	n/a	¼"x¼" removable	12465	12	112465	Bulk	4.5	8.25	10	n/a	5.375	40
5"	6"	n/a	¼"x¼" removable	12466	12	112466	Bulk	10.25	8.25	10	5.5	5.375	40
5"	11"	n/a	¼"x¼" removable	12467	6	112467	Bulk	15.75	8.25	10	11.25	5.375	40
6"	n/a	n/a	¼"x¼" removable	12468	12	112468	Bulk	4.5	8.25	10	n/a	5.375	40
6"	6"	n/a	¼"x¼" removable	12469	12	112469	Bulk	10.25	8.25	10	5.5	5.375	40
6"	11"	n/a	¼"x¼" removable	12470	6	112470	Bulk	15.75	8.25	10	11.25	5.375	40
7"	n/a	n/a	¼"x¼" removable	12471	12	112471	Bulk	4.5	8.25	10	n/a	5.375	40
7"	6"	n/a	¼"x¼" removable	12472	12	112472	Bulk	10.25	8.25	10	5.5	5.375	40
7"	11"	n/a	¼"x¼" removable	12473	6	112473	Bulk	15.75	8.25	10	11.25	5.375	40
8"	n/a	n/a	¼"x¼" removable	11223	12	111223	Bulk	4.5	10.25	11.25	n/a	5.5	52
8"	6"	n/a	¼"x¼" removable	11082	10	111082	Bulk	10.25	10.25	11.25	5.5	5.5	52
8"	11"	n/a	¼"x¼" removable	11094	6	111094	Bulk	16	10.25	11.25	11.25	5.5	52
10"	n/a	n/a	¼"x¼" removable	11225	2	111225	Bulk	6.25	12.25	14.25	n/a	7	80
10"	6"	n/a	¼"x¼" removable	11083	2	111083	Bulk	11.75	12.25	14.25	5.5	7	80
10"	11"	n/a	¼"x¼" removable	11095	1	011095	Ind Box	17.5	12.25	14.25	11.25	7	80
12"	n/a	n/a	¼"x¼" removable	11227	2	111227	Bulk	6.25	14.25	14.25	n/a	7	99
12"	6"	n/a	¼"x¼" removable	11084	2	111084	Bulk	11.75	14.25	14.25	5.5	7	99
12"	11"	n/a	¼"x¼" removable	11096	1	011096	Ind Box	17.5	14.25	14.25	11.25	7	99

5-7" discontinued model dimensions are on page 2 (reverse side)

Discontinued models on page 2 (reverse side) will be available for a short time to help finish projects

SHEET METAL DIMENSIONS MAY VARY ± .15 INCHES

LABELS



WARRANTY

Complete Warranty Statement at <https://www.buildersbest.com>



Builder's Best, Inc.
 201 Broiles Drive
 Jacksonville, TX 75766
 903-586-8283
 sales@venting.biz
 BuildersBest.com

GWM604 Mill Finish Galvanized Heavy Gauge Hood with Screen

DISCONTINUED*

DESCRIPTION

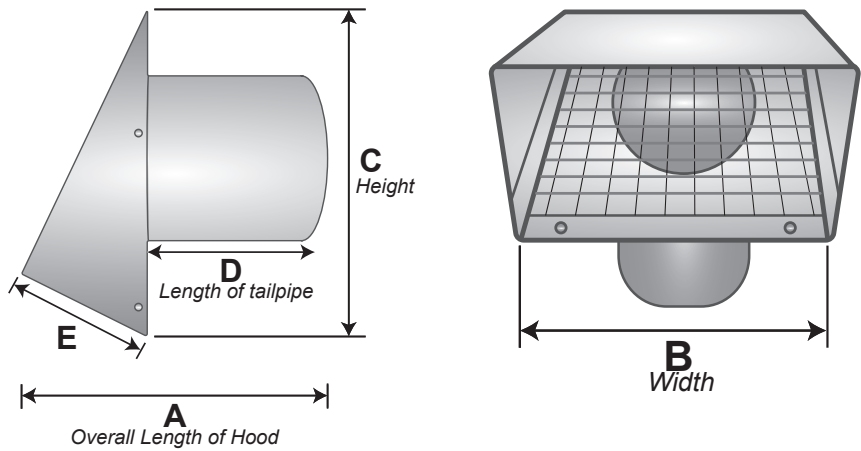
The GWM604 is a heavy duty galvanized wall vent hood.

PRODUCT FEATURES

- Riveted construction
- 4 mounting holes for secure connections
- Available without tailpipe, with 6" tailpipe or 11" tailpipe

PRODUCT SPECIFICATIONS

- 26 gauge galvanized mill finish steel
- ¼" x ¼" screens mechanically inserted and removable



DISCONTINUED* PART NUMBERS & DIMENSIONS

Dia.	Tail	Screen	Case #	Qty	Pkg	B (in.)	C (in.)	D (in.)	E (in.)
5"	n/a	¼"x¼" removable	111217	12	Bulk	8	9	n/a	4
5"	6"	¼"x¼" removable	111078	12	Bulk	8	9	6	4
5"	11"	¼"x¼" removable	111089	6	Bulk	8	9	11	4
6"	n/a	¼"x¼" removable	111219	12	Bulk	8	9	n/a	4
6"	6"	¼"x¼" removable	111080	12	Bulk	8	9	6	4
6"	11"	¼"x¼" removable	111091	6	Bulk	8	9	11	4
7"	n/a	¼"x¼" removable	111221	12	Bulk	10	11.25	n/a	5.375
7"	6"	¼"x¼" removable	111081	10	Bulk	10	11.25	6	5.375
7"	11"	¼"x¼" removable	111093	6	Bulk	10	11.25	11	5.375

**2020
 REDESIGN ON
 PAGE 1
 (reverse side)**

***Discontinued
 models will be
 available for a
 short time to help
 finish projects**

SHEET METAL DIMENSIONS MAY VARY ± .15 INCHES

WARRANTY

Complete Warranty Statement at <https://www.buildersbest.com>

LABELS

