

SERVICE PARTS LIST FOR MITSUBISHI ELECTRIC PACKAGED AIR-CONDITIONERS

Series : PEFY-P·NMAU-E4
PEFY-P·NMAU-E5

REVISED

July 2023

BWE02137A

INDEX

PEFY-P06NMAU-E4
PEFY-P08NMAU-E4
PEFY-P12NMAU-E4
PEFY-P15NMAU-E4
PEFY-P18NMAU-E4
PEFY-P24NMAU-E4
PEFY-P27NMAU-E4
PEFY-P30NMAU-E4
PEFY-P36NMAU-E4
PEFY-P48NMAU-E4
PEFY-P54NMAU-E4
PEFY-P18NMAU-E5
PEFY-P30NMAU-E5

Part information update day : 2023/07/05



Please change the old catalog (issued May 2021, No.BWE021370) to this new catalog.
Content of revision : Some of parts are changed. Added new models.

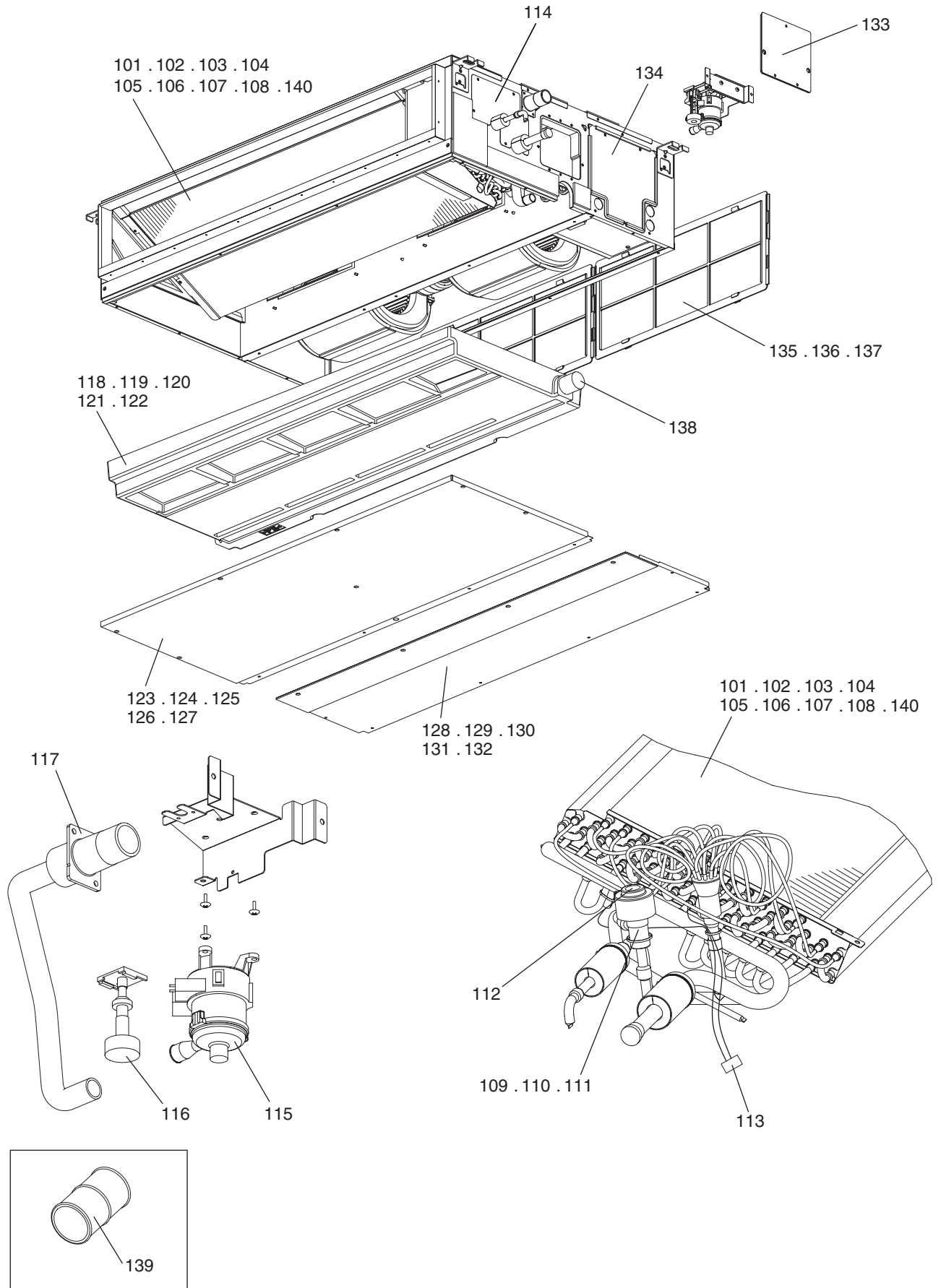
Added new models

PEFY-P18NMAU-E5 :Added July 2023

PEFY-P30NMAU-E5 :Added July 2023

PEFY-P06,P08,P12,P15,P18NMAU-E4
 PEFY-P24,P27,P30,P36,P48,P54NMAU-E4
 PEFY-P18,P30NMAU-E5

EXTERNAL PARTS



PEFY-P06,P08,P12,P15,P18NMAU-E4
 PEFY-P24,P27,P30,P36,P48,P54NMAU-E4
 PEFY-P18,P30NMAU-E5

EXTERNAL PARTS

No.	Part No.	Part Name	Spec.	PEFY-P06NMAU-E4	PEFY-P08NMAU-E4	PEFY-P12NMAU-E4	PEFY-P15NMAU-E4	PEFY-P18NMAU-E4	PEFY-P24NMAU-E4	Dwg. No.	Notes for the models	Revision info.
101	U41 031 480	Heat exchanger		1	1					KB00A724B07		
102	U41 032 480	Heat exchanger				1				KB00A724B08		
103	U41 033 480	Heat exchanger					1	1		KB00A724B09		
104	U41 034 480	Heat exchanger							1	KB00A725B09		
105	U41 035 480	Heat exchanger								KB00A725B10		
106	U41 036 480	Heat exchanger								KB00A725B11		
107	U41 037 480	Heat exchanger								KB00Y610B01		
108	U41 038 480	Heat exchanger								KB00Y610B02		
109	U41 007 401	Lev pam 4	PAM-B40YGMD-1	1	1	1	1	1	1	PA50B083H01		
110	U41 008 401	Lev pam 8	PAM-B80YGMD-1							PA50B084H01		
111	U41 009 401	Lev pam 10	PAM-BA0YGMD-1							PA50B085H02		
112	U41 002 243	Solenoid coil	PAM3	1	1	1	1	1	1	KR50B227H01		
113	U41 001 200	Thermistor		1	1	1	1	1	1	KB71B945H03		
114	U41 010 635	Cover pipe assy		1	1	1	1	1	1	KD00K396G03		
115	U41 002 539	Pump		1	1	1	1	1	1	BH56B946H05		
116	U41 002 541	Float switch	S3004-15-1	1	1	1	1	1	1	KR68B233H01		
117	U41 001 218	Socket assy		1	1	1	1	1	1	KD00R916G02		
118	U41 001 529	Drain pan assy	700	1	1	1				KJ00C460G01		
119	U41 002 529	Drain pan assy	900				1	1		KJ00C460G02		
120	U41 003 529	Drain pan assy	1100						1	KJ00C460G03		
121	U41 004 529	Drain pan assy	1400							KJ00C460G04		
122	U41 013 529	Drain pan assy	1600							KJ00C460G07		
123	U41 005 638	Panel UD1 assy	700	1	1	1				KB00C2UJG06		
124	U41 006 638	Panel UD1 assy	900				1	1		KB00C2UJG07		
125	U41 007 638	Panel UD1 assy	1100						1	KB00C2UJG08		
126	U41 008 638	Panel UD1 assy	1400							KB00C2UJG09		
127	U41 009 638	Panel UD1 assy	1600							KB00C2UJG10		
128	U41 010 638	Panel UD2 assy	700	1	1	1				KJ00C380G18		
129	U41 011 638	Panel UD2 assy	900				1	1		KJ00C380G19		
130	U41 012 638	Panel UD2 assy	1100						1	KJ00C380G20		
131	U41 013 638	Panel UD2 assy	1400							KJ00C380G21		
132	U41 014 638	Panel UD2 assy	1600							KJ00C380G22		
133	U41 005 690	Cover assy		1	1	1	1	1	1	KD00K397G03		
134	U41 006 690	Cover box assy		1	1	1	1	1	1	KJ00C383G04		
135	U41 001 500	Filter	550						2	KD35J684G01		
136	U41 002 500	Filter	700	1	1	1				KD35J685G01		
137	U41 003 500	Filter	900				1	1		KD35J686G01		
138	U41 001 558	Plug	RUBBER	2	2	2	2	2	2	KB26H049H01		
139	U41 002 218	Socket	PVC	1	1	1	1	1	1	BB25D449K01		
140	U41 053 480	Heat exchanger								KB00A725B12		Add.

PEFY-P06,P08,P12,P15,P18NMAU-E4
 PEFY-P24,P27,P30,P36,P48,P54NMAU-E4
 PEFY-P18,P30NMAU-E5

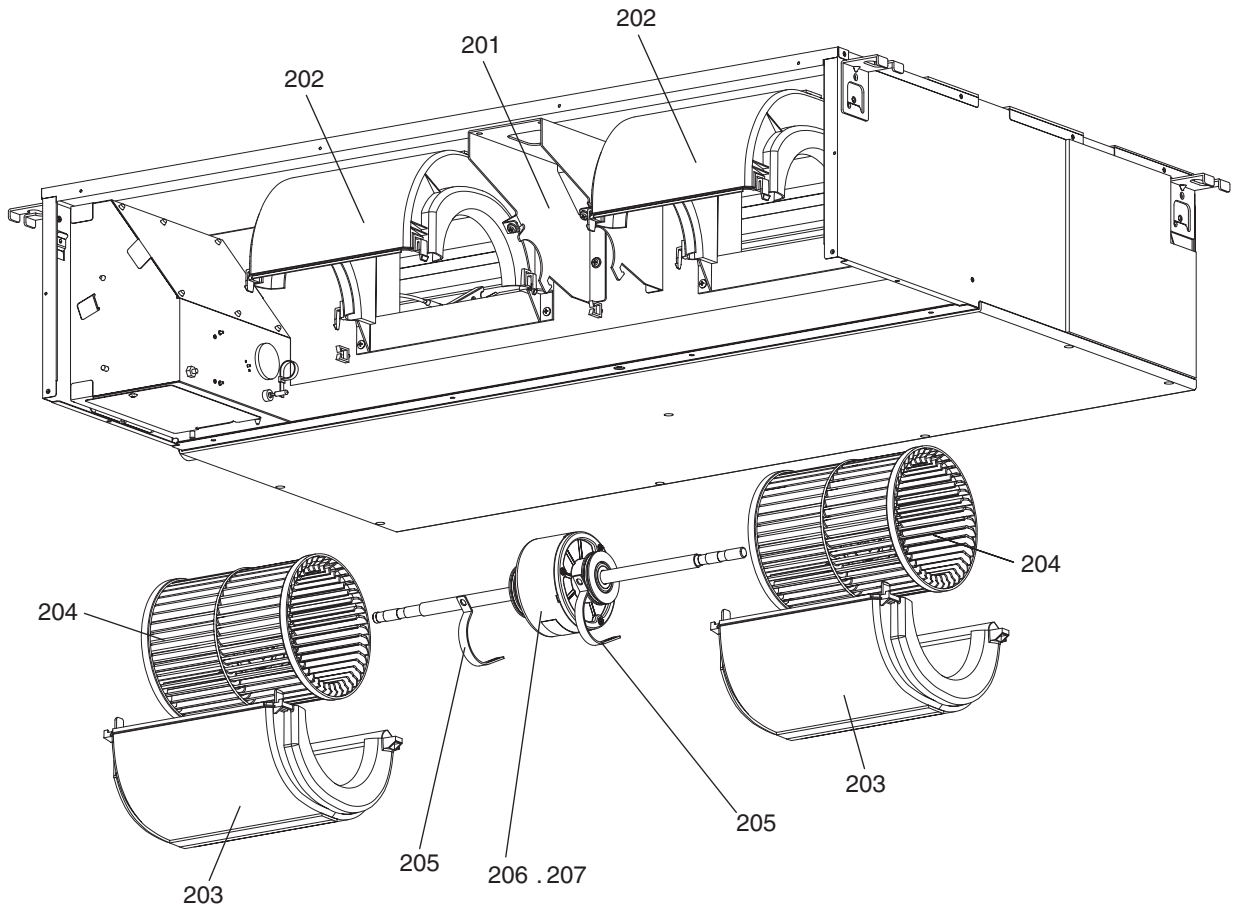
EXTERNAL PARTS

No.	Part No.	Part Name	Spec.	PEFY-P27NMAU-E4	PEFY-P30NMAU-E4	PEFY-P36NMAU-E4	PEFY-P48NMAU-E4	PEFY-P54NMAU-E4	PEFY-P18NMAU-E5	Dwg. No.	Notes for the models	Revision info.
101	U41 031 480	Heat exchanger								KB00A724B07		
102	U41 032 480	Heat exchanger								KB00A724B08		
103	U41 033 480	Heat exchanger								KB00A724B09		
104	U41 034 480	Heat exchanger								KB00A725B09		
105	U41 035 480	Heat exchanger		1	1					KB00A725B10		
106	U41 036 480	Heat exchanger				1				KB00A725B11		
107	U41 037 480	Heat exchanger					1			KB00Y610B01		
108	U41 038 480	Heat exchanger						1		KB00Y610B02		
109	U41 007 401	Lev pam 4	PAM-B40YGMD-1						1	PA50B083H01		
110	U41 008 401	Lev pam 8	PAM-B80YGMD-1	1	1	1	1			PA50B084H01		
111	U41 009 401	Lev pam 10	PAM-BA0YGMD-1					1		PA50B085H02		
112	U41 002 243	Solenoid coil	PAM3	1	1	1	1	1	1	KR50B227H01		
113	U41 001 200	Thermistor		1	1	1	1	1	1	KB71B945H03		
114	U41 010 635	Cover pipe assy		1	1	1	1	1	1	KD00K396G03		
115	U41 002 539	Pump		1	1	1	1	1	1	BH56B946H05		
116	U41 002 541	Float switch	S3004-15-1	1	1	1	1	1	1	KR68B233H01		
117	U41 001 218	Socket assy		1	1	1	1	1	1	KD00R916G02		
118	U41 001 529	Drain pan assy	700							KJ00C460G01		
119	U41 002 529	Drain pan assy	900							KJ00C460G02		
120	U41 003 529	Drain pan assy	1100	1	1				1	KJ00C460G03		
121	U41 004 529	Drain pan assy	1400			1	1			KJ00C460G04		
122	U41 013 529	Drain pan assy	1600					1		KJ00C460G07		
123	U41 005 638	Panel UD1 assy	700							KB00C2UJG06		
124	U41 006 638	Panel UD1 assy	900							KB00C2UJG07		
125	U41 007 638	Panel UD1 assy	1100	1	1				1	KB00C2UJG08		
126	U41 008 638	Panel UD1 assy	1400			1	1			KB00C2UJG09		
127	U41 009 638	Panel UD1 assy	1600					1		KB00C2UJG10		
128	U41 010 638	Panel UD2 assy	700							KJ00C380G18		
129	U41 011 638	Panel UD2 assy	900							KJ00C380G19		
130	U41 012 638	Panel UD2 assy	1100	1	1				1	KJ00C380G20		
131	U41 013 638	Panel UD2 assy	1400			1	1			KJ00C380G21		
132	U41 014 638	Panel UD2 assy	1600					1		KJ00C380G22		
133	U41 005 690	Cover assy		1	1	1	1	1	1	KD00K397G03		
134	U41 006 690	Cover box assy		1	1	1	1	1	1	KJ00C383G04		
135	U41 001 500	Filter	550	2	2				2	KD35J684G01		
136	U41 002 500	Filter	700			2	2	1		KD35J685G01		
137	U41 003 500	Filter	900					1		KD35J686G01		
138	U41 001 558	Plug	RUBBER	2	2	2	2	2	2	KB26H049H01		
139	U41 002 218	Socket	PVC	1	1	1	1	1	1	BB25D449K01		
140	U41 053 480	Heat exchanger							1	KB00A725B12		Add.

PEFY-P06,P08,P12,P15,P18NMAU-E4 EXTERNAL PARTS
 PEFY-P24,P27,P30,P36,P48,P54NMAU-E4
 PEFY-P18,P30NMAU-E5

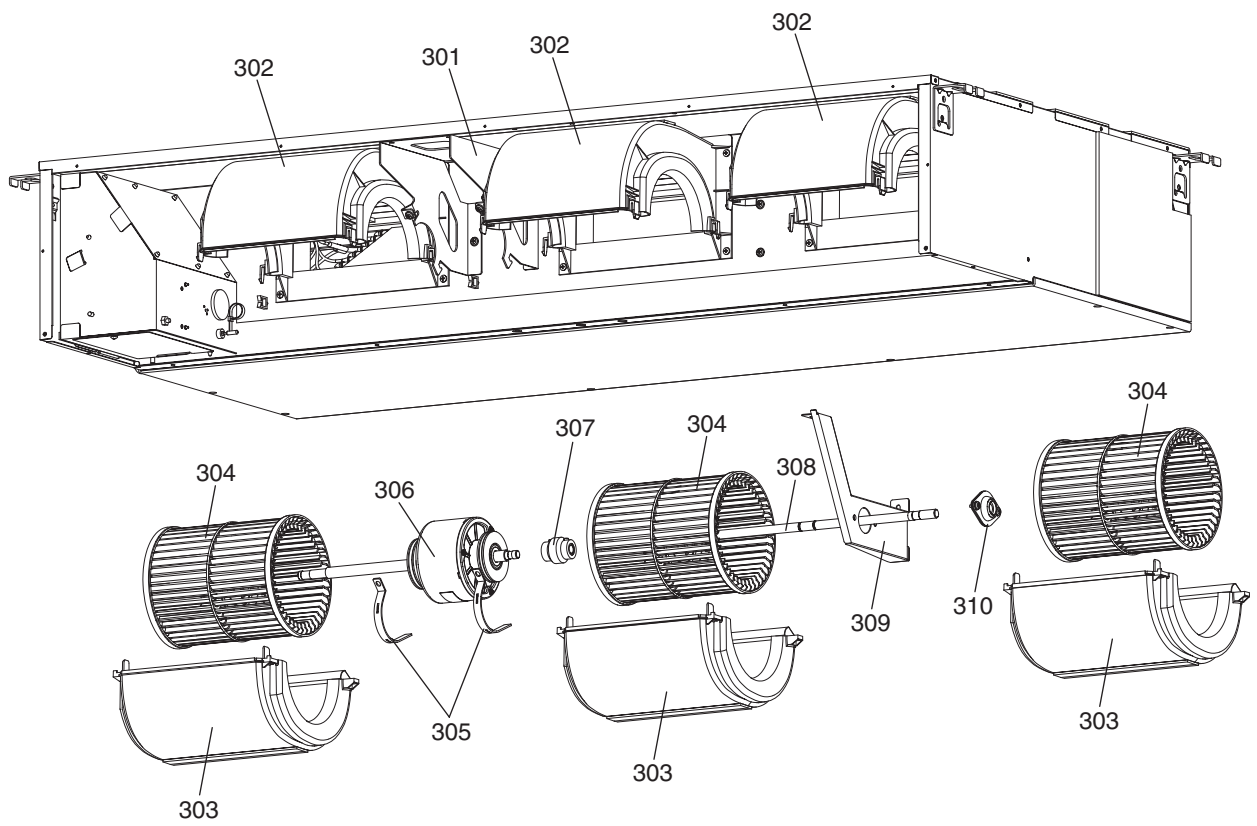
No.	Part No.	Part Name	Spec.	PEFY-P30NMAU-E5						Dwg. No.	Notes for the models	Revision info.
101	U41 031 480	Heat exchanger								KB00A724B07		
102	U41 032 480	Heat exchanger								KB00A724B08		
103	U41 033 480	Heat exchanger								KB00A724B09		
104	U41 034 480	Heat exchanger								KB00A725B09		
105	U41 035 480	Heat exchanger								KB00A725B10		
106	U41 036 480	Heat exchanger		1						KB00A725B11		
107	U41 037 480	Heat exchanger								KB00Y610B01		
108	U41 038 480	Heat exchanger								KB00Y610B02		
109	U41 007 401	Lev pam 4	PAM-B40YGMD-1							PA50B083H01		
110	U41 008 401	Lev pam 8	PAM-B80YGMD-1	1						PA50B084H01		
111	U41 009 401	Lev pam 10	PAM-BA0YGMD-1							PA50B085H02		
112	U41 002 243	Solenoid coil	PAM3	1						KR50B227H01		
113	U41 001 200	Thermistor		1						KB71B945H03		
114	U41 010 635	Cover pipe assy		1						KD00K396G03		
115	U41 002 539	Pump		1						BH56B946H05		
116	U41 002 541	Float switch	S3004-15-1	1						KR68B233H01		
117	U41 001 218	Socket assy		1						KD00R916G02		
118	U41 001 529	Drain pan assy	700							KJ00C460G01		
119	U41 002 529	Drain pan assy	900							KJ00C460G02		
120	U41 003 529	Drain pan assy	1100							KJ00C460G03		
121	U41 004 529	Drain pan assy	1400	1						KJ00C460G04		
122	U41 013 529	Drain pan assy	1600							KJ00C460G07		
123	U41 005 638	Panel UD1 assy	700							KB00C2UJG06		
124	U41 006 638	Panel UD1 assy	900							KB00C2UJG07		
125	U41 007 638	Panel UD1 assy	1100							KB00C2UJG08		
126	U41 008 638	Panel UD1 assy	1400	1						KB00C2UJG09		
127	U41 009 638	Panel UD1 assy	1600							KB00C2UJG10		
128	U41 010 638	Panel UD2 assy	700							KJ00C380G18		
129	U41 011 638	Panel UD2 assy	900							KJ00C380G19		
130	U41 012 638	Panel UD2 assy	1100							KJ00C380G20		
131	U41 013 638	Panel UD2 assy	1400	1						KJ00C380G21		
132	U41 014 638	Panel UD2 assy	1600							KJ00C380G22		
133	U41 005 690	Cover assy		1						KD00K397G03		
134	U41 006 690	Cover box assy		1						KJ00C383G04		
135	U41 001 500	Filter	550							KD35J684G01		
136	U41 002 500	Filter	700	2						KD35J685G01		
137	U41 003 500	Filter	900							KD35J686G01		
138	U41 001 558	Plug	RUBBER	2						KB26H049H01		
139	U41 002 218	Socket	PVC	1						BB25D449K01		
140	U41 053 480	Heat exchanger								KB00A725B12		Add.

PEFY-P06,P08,P12,P15,P18NMAU-E4 BLOWER PARTS (1)
PEFY-P24,P27,P30NMAU-E4
PEFY-P18NMAU-E5



**PEFY-P06,P08,P12,P15,P18NMAU-E4 BLOWER PARTS (1)
 PEFY-P24,P27,P30NMAU-E4
 PEFY-P18NMAU-E5**

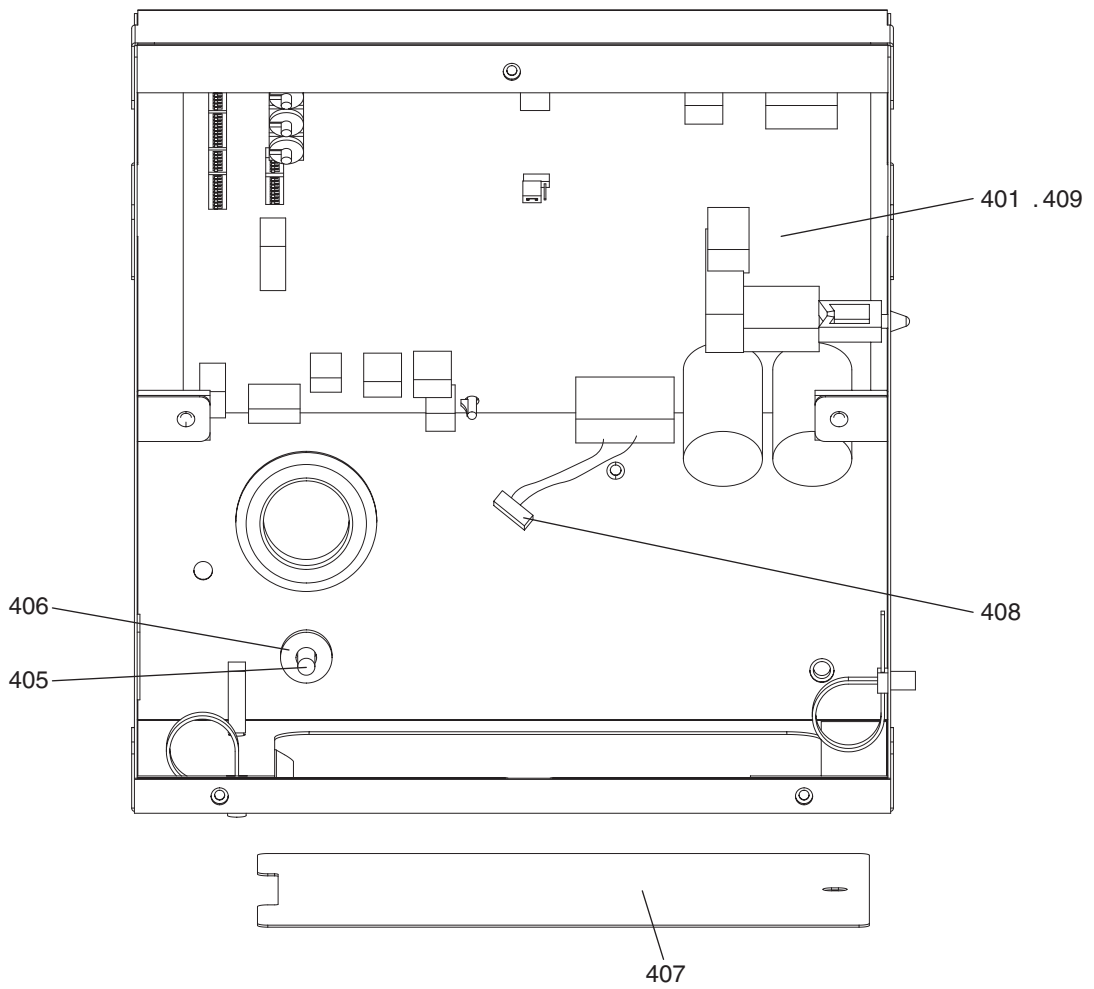
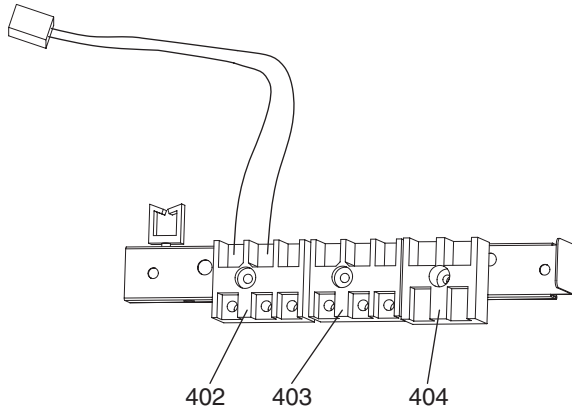
No.	Part No.	Part Name	Spec.	PEFY-P06NMAU-E4	PEFY-P08NMAU-E4	PEFY-P12NMAU-E4	PEFY-P15NMAU-E4	PEFY-P18NMAU-E4	PEFY-P24NMAU-E4	Dwg. No.	Notes for the models	Revision info.
201	U41 007 128	Motor base S		1	1	1	1	1	1	KD02N403H02		
202	U41 011 129	Fan case U		1	1	1	2	2	2	KJ00M785G04		
203	U41 012 129	Fan case L		1	1	1	2	2	2	KJ00M786G04		
204	U41 003 114	Sirocco fan assy	200	1	1	1	2	2	2	KL00R388G01		
205	U41 002 131	Attachment		2	2	2	2	2	2	KD02K038H03		
206	U41 007 220	Motor	P12	1	1	1				KJ00C645G08		
207	U41 008 220	Motor	P30				1	1	1	KJ00C645G09		



No.	Part No.	Part Name	Spec.	PEFY-P36NMAU-E4	PEFY-P48NMAU-E4	PEFY-P54NMAU-E4	PEFY-P30NMAU-E5	Dwg. No.	Notes for the models	Revision info.
301	U41 006 128	Motor base L		1	1	1	1	KJ00M788G02		
302	U41 011 129	Fan case U		3	3	3	3	KJ00M785G04		
303	U41 012 129	Fan case L		3	3	3	3	KJ00M786G04		
304	U41 003 114	Sirocco fan assy	200	3	3	3	3	KL00R388G01		
305	U41 003 131	Attachment		2	2	2	2	KJ02M563H04		
306	U41 009 220	Motor	P54	1	1	1	1	KJ00C645G10		
307	U41 010 220	Joint assy		1	1	1	1	KB00C3UEG01		
308	U41 011 220	Shaft		1	1	1	1	KD10B278H01		
309	U41 A02 510	Bearing support		1	1	1	1	KB02C24YH02		
310	U41 A03 510	Bearing assy		1	1	1	1	KD00G328G01		

PEFY-P06,P08,P12,P15,P18NMAU-E4
PEFY-P24,P27,P30,P36,P48,P54NMAU-E4
PEFY-P18,P30NMAU-E5

CONTROL BOX PARTS



PEFY-P06,P08,P12,P15,P18NMAU-E4 CONTROL BOX PARTS
 PEFY-P24,P27,P30,P36,P48,P54NMAU-E4
 PEFY-P18,P30NMAU-E5

No.	Part No.	Part Name	Spec.	Model Selection						Dwg. No.	Notes for the models	Revision info.
				PEFY-P06NMAU-E4	PEFY-P08NMAU-E4	PEFY-P12NMAU-E4	PEFY-P15NMAU-E4	PEFY-P18NMAU-E4	PEFY-P24NMAU-E4			
401	U41 011 280	PCA board		1	1	1	1	1	1	KE95J533F01		
402	U41 005 246	Terminal block assy		1	1	1	1	1	1	BH00C267G14		
403	U41 002 246	Terminal block assy		1	1	1	1	1	1	BH00C267G04		
404	U41 003 246	Terminal block		1	1	1	1	1	1	BG00R200G62		
405	U41 002 200	Thermistor-s	250XAP	1	1	1	1	1	1	RG71J628H01		
406	U41 002 104	Cord bush		1	1	1	1	1	1	KB32K138H01		
407	U41 007 690	Box under cover		1	1	1	1	1	1	KD02K047H03		
408	U41 004 392	LEAD WIRE ASSY	FUSE	1	1	1	1	1	1	KB78C2RPG03		
409	U41 014 280	PCA board								KE95J533F03		Add.

PEFY-P06,P08,P12,P15,P18NMAU-E4 CONTROL BOX PARTS
 PEFY-P24,P27,P30,P36,P48,P54NMAU-E4
 PEFY-P18,P30NMAU-E5

No.	Part No.	Part Name	Spec.	PEFY-P27NMAU-E4	PEFY-P30NMAU-E4	PEFY-P36NMAU-E4	PEFY-P48NMAU-E4	PEFY-P54NMAU-E4	PEFY-P18NMAU-E5	Dwg. No.	Notes for the models	Revision info.
401	U41 011 280	PCA board		1	1	1	1	1	1	KE95J533F01		
402	U41 005 246	Terminal block assy		1	1	1	1	1	1	BH00C267G14		
403	U41 002 246	Terminal block assy		1	1	1	1	1	1	BH00C267G04		
404	U41 003 246	Terminal block		1	1	1	1	1	1	BG00R200G62		
405	U41 002 200	Thermistor-s	250XAP	1	1	1	1	1	1	RG71J628H01		
406	U41 002 104	Cord bush		1	1	1	1	1	1	KB32K138H01		
407	U41 007 690	Box under cover		1	1	1	1	1	1	KD02K047H03		
408	U41 004 392	LEAD WIRE ASSY	FUSE	1	1	1	1	1	1	KB78C2RPG03		
409	U41 014 280	PCA board							1	KE95J533F03		Add.

PEFY-P06,P08,P12,P15,P18NMAU-E4 CONTROL BOX PARTS
PEFY-P24,P27,P30,P36,P48,P54NMAU-E4
PEFY-P18,P30NMAU-E5

No.	Part No.	Part Name	Spec.	PEFY-P30NMAU-E5							Dwg. No.	Notes for the models	Revision info.
401	U41 011 280	PCA board									KE95J533F01		
402	U41 005 246	Terminal block assy		1							BH00C267G14		
403	U41 002 246	Terminal block assy		1							BH00C267G04		
404	U41 003 246	Terminal block		1							BG00R200G62		
405	U41 002 200	Thermistor-s	250XAP	1							RG71J628H01		
406	U41 002 104	Cord bush		1							KB32K138H01		
407	U41 007 690	Box under cover		1							KD02K047H03		
408	U41 004 392	LEAD WIRE ASSY	FUSE	1							KB78C2RPG03		
409	U41 014 280	PCA board		1							KE95J533F03		Add.

mitsubishi
electric
corporation

BWE02137A (20230731)