

ENGLISH

SIDE MOUNT HAND SHOWER CONVERSION KIT

SKU: 953101



FEATURES

Handle Type: Porcelain Lever
Assembly Required: Yes
Showerhead Flow Rate: 1.8 gpm (6.8 L/min) @ 80psi
Shower Head Swivel: Yes
Hand Shower Material: Porcelain
Handshower Style: Telephone
Diverter Outlets: 3
Ceramic Disc Cartridges: Yes

SIGNATURE HARDWARE Lifetime Warranty

See website for detailed warranty information.

CONTENTS

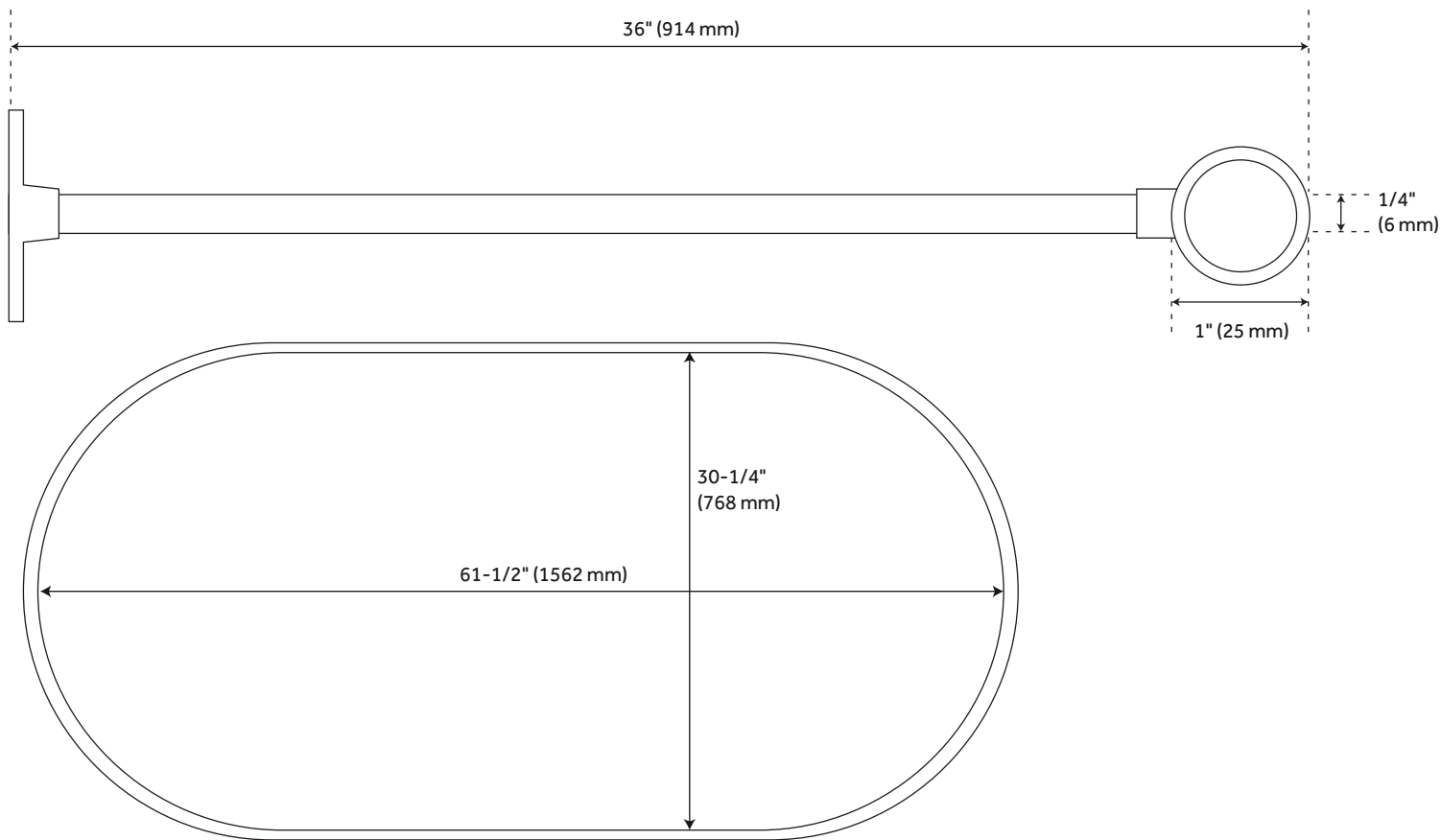
SHOWER RING	PAGE 2
HAND SHOWER	PAGE 3
TUB FAUCET	PAGE 4
SHOWER HEAD	PAGE 5
RISER PIPE	PAGE 6
RISER HOLDER	PAGE 7

REVISED 10/11/2021

SHOWER ROD

OVAL SOLID BRASS SHOWER CURTAIN ROD

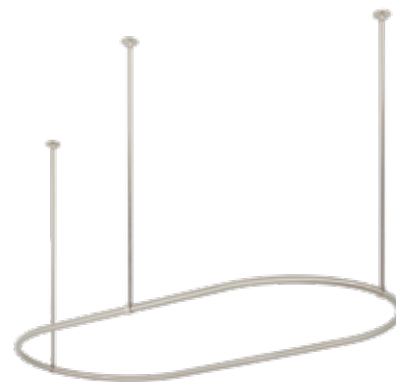
SKU: 953101



FEATURES

- Metal Thickness: .6mm
- Includes three 5/8" OD x 36" ceiling supports
- Length: 61-1/2"
- Width: 30-1/4"
- Height: up to 37-1/4"
- Ceiling supports can be cut to length.
- Material: Brass
- Installation Type: Ceiling

PRODUCT IMAGE



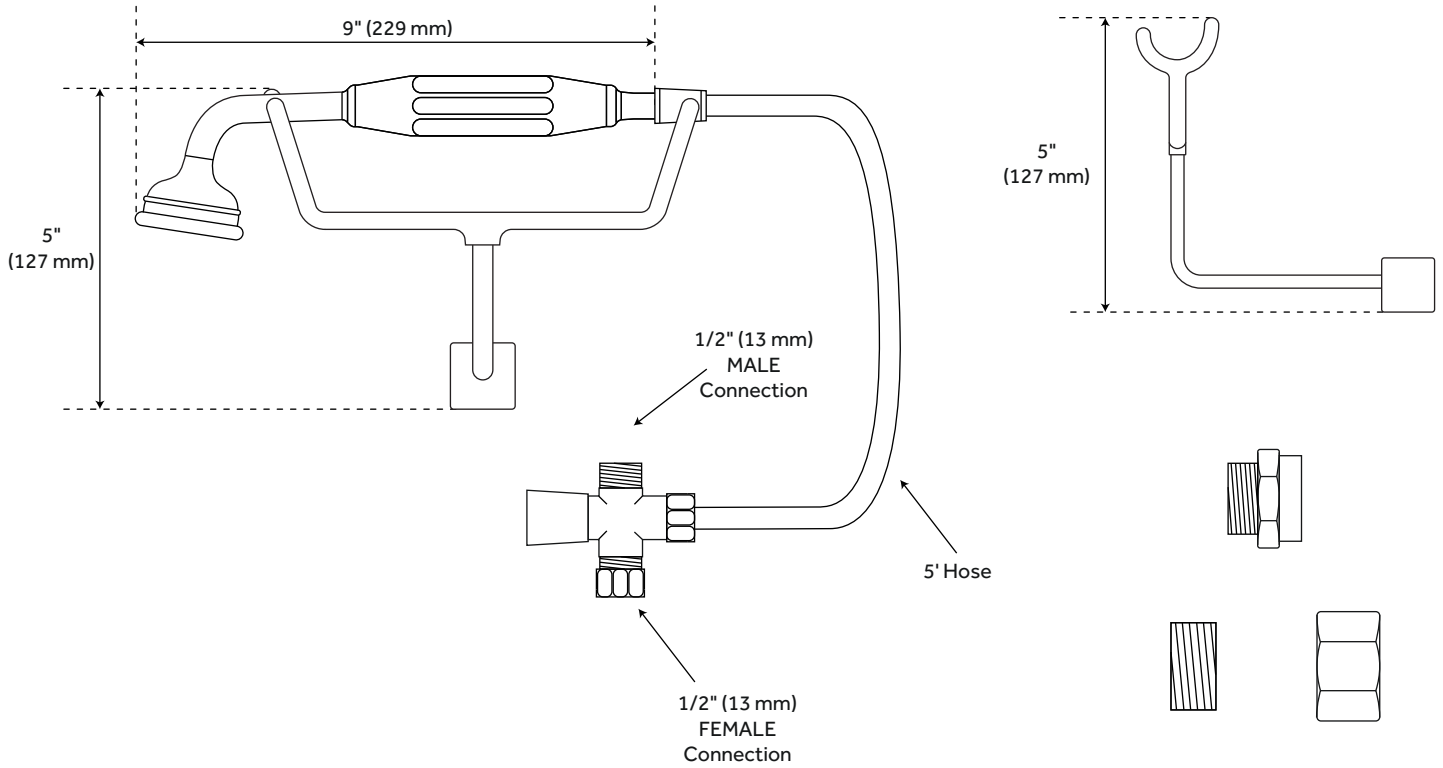
PAGE 2

All dimensions and specifications are nominal and may vary. Use actual products for accuracy in critical situations.

HAND-HELD

SHOWER CONVERSION KIT

SKU: 953101



FEATURES

- Material: Brass
- Features: Hand Shower Included
- Assembly Required: No
- Hand Shower Hose Length: 60"
- Flow Rate: 1.8 GPM @ 80 psi

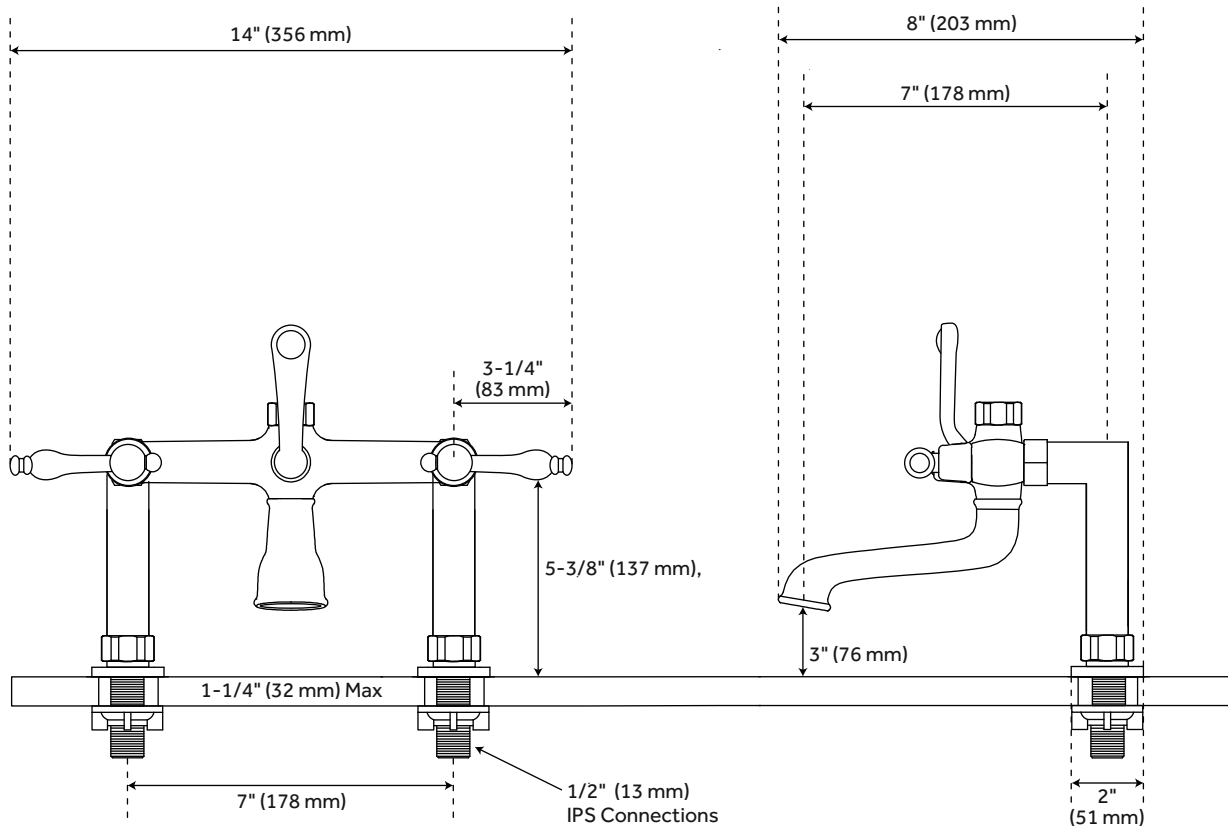
PRODUCT IMAGE



DECK-MOUNT

TELEPHONE FAUCET - PORCELAIN LEVER HANDLES AND DECK COUPLERS

SKU: 953101



*Faucet spout extends below deck when installed with 2" couplers.

FEATURES

- Installation Type: Deck Mount
- Faucet Centers: 7"
- Handle Type: Lever
- Max. Deck Thickness: 1-1/4"
- Length: 14"
- Width: 8"
- Spout Reach: 7"
- Spout Width: 2"
- Handle Material: Porcelain
- Hot and Cold Indicators: Yes
- Drain Included: No
- Base Plate Length: 2"
- Base Plate Width: 2"
- Ceramic Disc Cartridges: Yes
- Diverter Included: Yes
- Couplers Included: Yes
- Hand Shower Hose Length: 60"

PRODUCT IMAGE



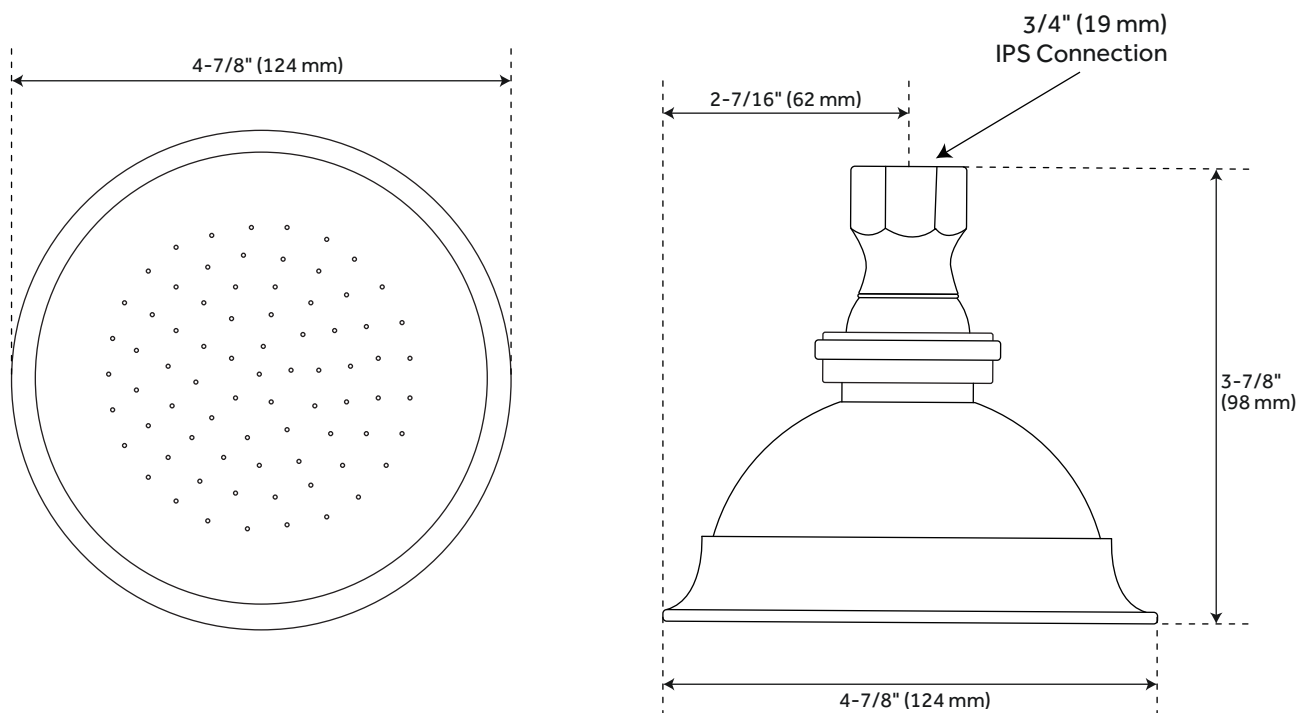
PAGE 4

All dimensions and specifications are nominal and may vary. Use actual products for accuracy in critical situations.

WINDOM

WATERING CAN SHOWER HEAD

SKU: 953101



FEATURES

Height: 3-7/8"
Shower Head Diameter: 4-7/8"
Shower Head IPS: 1/2"
Flow Rate: 1.8 GPM @ 80 psi

CODES/STANDARDS

cUPC
ASME A112.18.1/CSA B125.1

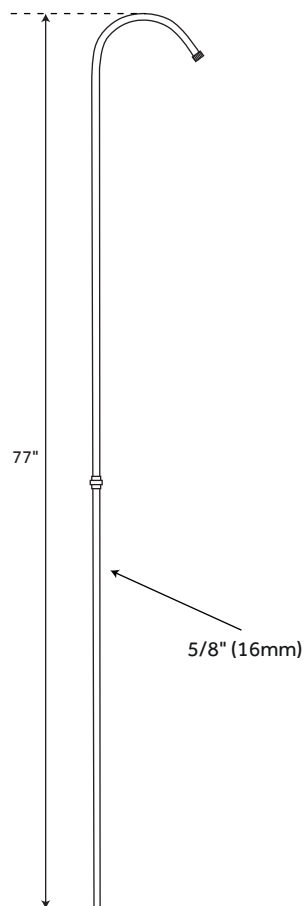
PRODUCT IMAGE



RISER PIPE

5/8" OD X 77" HIGH SHOWER RISER PIPE

SKU: 953101



FEATURES

Height: 77"
OD Diameter: 5/8"
IPS: 1/2"
Can be Cut to Length
Material: Brass

PRODUCT IMAGE



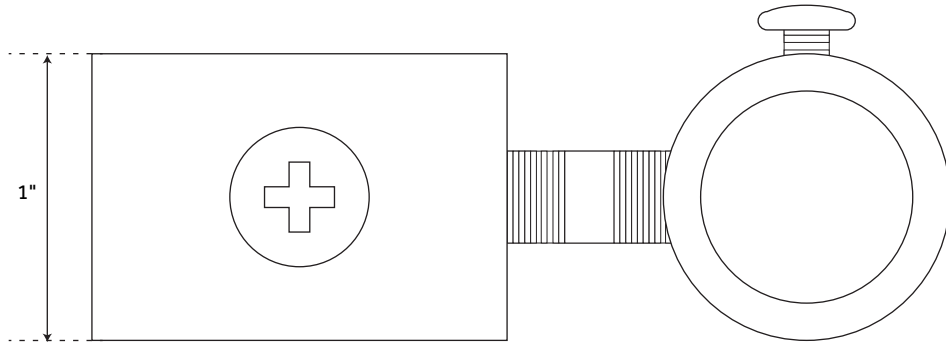
PAGE 6

All dimensions and specifications are nominal and may vary. Use actual products for accuracy in critical situations.

ADJUSTABLE

DOUBLE RINGLET RISER HOLDER

SKU: 953101



FEATURES

- 1" Diameter Shower Rod:
 - 3/8" IPS (5/8" OD) Riser Piping
 - 1" Diameter Shower Rod
 - 1/2" IPS (3/4" OD) Riser Piping
- Material: Brass

PRODUCT IMAGE

