

TECHNICAL DATA SHEET

MODEL NO.	AMPS	HP	kW	NET WT.		VOLT	FREQ.
				lbs.	kg		
87R-100S	6.0	1/2	0.37	42	19	120	60

NOTES:

1. PRESSURE SWITCH SET TO CUT-IN AT 30 PSI & CUT-OUT AT 40 PSI.
2. PRODUCT PERFORMANCE MAY VARY $\pm 10\%$ IN STANDARD PRODUCTION.
3. TECHNICAL DATA SUBJECT TO CHANGE WITHOUT NOTICE.
4. ALL DIMENSIONS ARE FOR REFERENCE ONLY.
5. FOR INDOOR USE ONLY
6. PRESSURE SWITCH SETTINGS ADJUSTABLE UP TO 55 PSI.

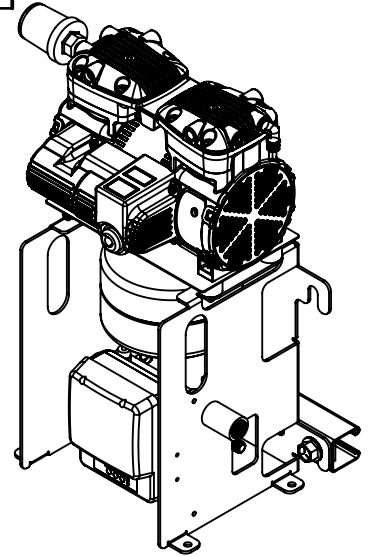
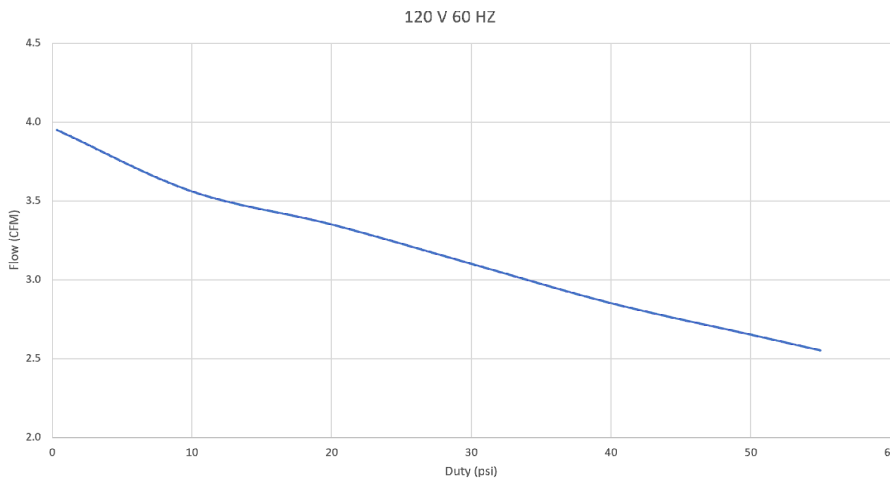
SOUND LEVEL 63 dB(A) /1m

NORMAL AMBIENT 5-40 °C / 40-104 °F

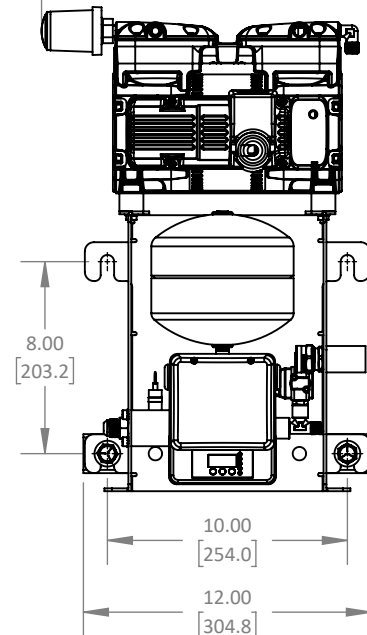
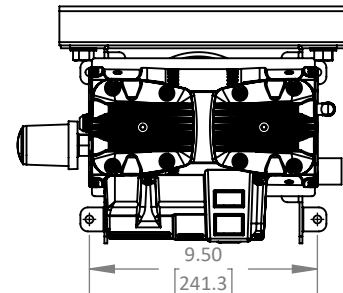
RELATIVE HUMIDITY 20-80% NON CONDENSING

ENVIRONMENT CLEAN / DUST FREE

PRODUCT PERFORMANCE:



PRODUCT DIMENSIONS:



FULLY ADJUSTABLE, EASY TO SET DIGITAL PRESSURE SWITCH	
PRESSURE (PSI)	SYSTEM CAPACITY (GALLONS)
10	1350
12	1110
14	950
16	825
18	725
20	650
22	580
24	530
26	490
28	450
30	415
32	385
34	360
36	335
38	315
40	300

