



NORTH STARTM
WATER TREATMENT SYSTEMS



RESIDENTIAL PRODUCT CATALOG



TABLE OF CONTENTS

RESIDENTIAL SOFTENING

Cabinet Style Systems	4
Two-Tank Systems	9

DRINKING WATER FILTRATION

Drinking Water Systems	13
------------------------------	----

WHOLE HOME FILTRATION

Whole Home Housings	18
Whole Home Filters	20

SPECIALTY FILTRATION	22
----------------------------	----

RESIDENTIAL ACCESSORIES	29
-------------------------------	----





RESIDENTIAL SOFTENING

22,000 GRAIN WATER SOFTENER

MODEL: NSC22 | PN: NSC2223

FEATURES

- Utilizes AutoSense™ Technology to monitor your water usage and determine the optimal frequency of regeneration, minimizing salt and water use
- High-flow valve for optimal water pressure
- Low salt monitor flashes when the softener is low on salt, allowing you a few days to refill the tank
- Built-in tank light for low light conditions
- Ideal for small or medium households
- Can be used with city or well water sources
- Installation kit includes custom fit bypass valve



SPECIFICATIONS

Model Number	NSC22
Part Number	NSC2223
Household Size	1-4+ people
Max. Capacity (grains)	22,100
Resin (cu. ft)	0.65
Standard Connection Size	1" NPT
Valve	3/4" valve; up to 1" plumbing
Connection Size	1" male pipe thread
Rated Service Flow Rate (gpm)	7.2
Intermittent Flow Rate (gpm @ 30 psi drop)	11.3
Clear Water Iron Reduction (ppm)	6
Electronic Demand	Yes
Max. Efficiency (per minimum salt dose)	4,475 @ 1.9 lbs.
Dimensions	H 48" X W 15" X D 20 1/2"
NSF Certification (NSF/ANSI standard)	44 & 372

WARRANTY

1 year on all parts | **5 year** on electronics and valves | **10 year** on tanks

31,000 GRAIN WATER SOFTENER

MODEL: NSC31 | PN: NCS3123

FEATURES

- Utilizes AutoSense™ Technology to monitor your water usage and determine the optimal frequency of regeneration, minimizing salt and water use
- High-flow valve for optimal water pressure
- Low salt monitor flashes when the softener is low on salt, allowing you a few days to refill the tank
- Built-in tank light for low light conditions
- Ideal for medium or large households
- Can be used with city or well water sources
- Installation kit includes custom fit bypass valve



SPECIFICATIONS

Model Number	NSC31
Part Number	NCS3123
Household Size	1-5+ people
Max. Capacity (grains)	31,300
Resin (cu. ft)	0.81
Standard Connection Size	1" NPT
Valve	3/4" valve; up to 1" plumbing
Connection Size	1" male pipe thread
Rated Service Flow Rate (gpm)	7.2
Intermittent Flow Rate (gpm @ 30 psi drop)	14.6
Clear Water Iron Reduction (ppm)	8
Electronic Demand	Yes
Max. Efficiency (per minimum salt dose)	5,090 @ 2.4 lbs
Dimensions	H 48" X W 15" X D 20 1/2"
NSF Certification (NSF/ANSI standard)	44 & 372

WARRANTY

1 year on all parts | **5 year** on electronics and valves | **10 year** on tanks

42,000 GRAIN WATER SOFTENER

MODEL: NSC42 | PN: NSC4223

FEATURES

- Utilizes AutoSense™ Technology to monitor your water usage and determine the optimal frequency of regeneration, minimizing salt and water use
- Ultra high-flow valve for up to 1" plumbing delivers maximum water pressure
- Premium electronic board displays average daily gallons, flow rate, salt level and more
- Self-cleaning sediment filter with no filters to replace
- Low salt monitor flashes when the softener is low on salt, allowing you a few days to refill the tank
- Built-in tank light for low light conditions
- Ideal for all household sizes
- Can be used with city or well water sources
- Installation kit includes custom fit bypass valve



SPECIFICATIONS

Model Number	NSC42
Part Number	NSC4223
Household Size	1-6+ people
Max. Capacity (grains)	42,400
Resin (cu. ft)	1.2
Standard Connection Size	1" NPT
Valve	1" valve; up to 1 1/4" plumbing
Connection Size	1" male pipe thread
Rated Service Flow Rate (gpm)	9.9
Intermittent Flow Rate (gpm @ 30 psi drop)	17.8
Clear Water Iron Reduction (ppm)	11
Electronic Demand	Yes
Max. Efficiency (per minimum salt dose)	4,940 @ 2.5 lbs
Dimensions	H 48" X W 15" X D 20 1/2"
NSF Certification (NSF/ANSI standard)	44 & 372

WARRANTY

1 year on all parts | **5 year** on electronics and valves | **10 year** on tanks

2-IN-1 SOFTENER + WHOLE HOME FILTRATION

MODEL: NSCWC | PN: NSCWC23

FEATURES

- High capacity 2-in-1 system softens & filters water throughout the entire home
- Reduces chlorine taste and odor using carbon filtration.
- Self-cleaning filter with no filters to replace
- AutoSense™ Technology provides significant salt and water savings
- Ultra high-flow valve for optimal water pressure
- Ideal for all household sizes
- Built-in tank light for low light conditions
- Can be used with city or well water sources



SPECIFICATIONS

Model Number	NSCWC
Part Number	NSCWC23
Household Size	1-6+ people
Max. Capacity (grains)	31,100
Resin (cu. ft)	0.98
Activated Carbon	Yes
Standard Connection Size	1" NPT
Valve	1" valve; up to 1 1/4" plumbing
Connection Size	1" male pipe thread
Rated Service Flow Rate (gpm)	8
Intermittent Flow Rate (gpm @ 30 psi drop)	17.8
Clear Water Iron Reduction (ppm)	3
Electronic Demand	Yes
Max. Efficiency (per minimum salt dose)	4,780 @ 2.9 lbs
Dimensions	H 48" X W 15" X D 20 1/2"
NSF Certification (NSF/ANSI standard)	42, 44, 226/228 & 372

WARRANTY

1 year on all parts | **5 year** on electronics and valves | **10 year** on tanks

2-IN-1 SOFTENER + WHOLE HOME FILTRATION WITH WIFI

MODEL: NSCWHC | PN: NSCWHC3

FEATURES

- High capacity 2-in-1 system softens & filters water throughout the entire home
- Utilizes WiFi technology and the iQua™ Water Management App to send critical water alerts directly to your phone
- The optional North Star Motorized Water Shut-Off Valve allows homeowners to turn off their water via the iQua™ App if a leak occurs
- Reduces chlorine taste and odor using carbon filtration.
- Self-cleaning filter, with no filters to replace
- AutoSense™ Technology provides significant salt and water savings
- Ultra high-flow valve for optimal water pressure
- Ideal for all household sizes
- Built-in tank light for low light conditions
- Can be used with city or well water sources



SPECIFICATIONS

Model Number	NSCWHC
Part Number	NSCWHC3
Household Size	1-6+ people
Max. Capacity (grains)	31,100
Resin (cu. ft)	0.98
Activated Carbon	Yes
Standard Connection Size	1" NPT
Valve	1" valve; up to 1 1/4" plumbing
Connection Size	1" male pipe thread
Rated Service Flow Rate (gpm)	8
Intermittent Flow Rate (gpm @ 30 psi drop)	17.8
Clear Water Iron Reduction (ppm)	3
Electronic Demand	Yes
Max. Efficiency (per minimum salt dose)	4,780 @ 2.9 lbs
Dimensions	H 48" X W 15" X D 20 1/2"
NSF Certification (NSF/ANSI standard)	42, 44, 226/228 & 372

WARRANTY

1 year on all parts | **5 year** on electronics and valves | **10 year** on tanks

30,000 GRAIN WATER SOFTENER

MODEL: NST30ED | PN: 7366431

FEATURES

- Utilizes AutoSense™ Technology to monitor your water usage and determine the optimal frequency of regeneration, minimizing salt and water use
- High-flow valve for optimal water pressure
- Utilizes reverse flow regeneration, proven to be the most effective way to clean the resin bed
- Ideal for small or medium households
- Can be used with city or well water sources
- Installation kit includes custom fit bypass valve



SPECIFICATIONS

Model Number	NST30ED
Part Number	7366431
Household Size	1-5+ people
Max. Capacity (grains)	30,200
Resin (cu. ft)	0.78
Standard Connection Size	1" NPT
Valve	3/4" valve; up to 1" plumbing
Connection Size	1" male pipe thread
Rated Service Flow Rate (gpm)	7.3
Intermittent Flow Rate (gpm @ 30 psi drop)	11
Clear Water Iron Reduction (ppm)	8
Electronic Demand	Yes
Max. Efficiency (per minimum salt dose)	5,090 @ 2.3 lbs
Dimensions	Resin Tank and Electronics H 48 3/4" X W 11 1/2" Brine Tank H 39" X W 18"
NSF Certification (NSF/ANSI standard)	44 & 372

WARRANTY

1 year on all parts | **5 year** on electronics and valves | **10 year** on tanks

45,000 GRAIN WATER SOFTENER

MODEL: NST45ED1 | PN: 7366449

FEATURES

- Utilizes AutoSense™ Technology to monitor your water usage and determine the optimal frequency of regeneration, minimizing salt and water use
- Ultra high-flow for up to 1" plumbing delivers maximum water pressure
- Utilizes reverse flow regeneration, proven to be the most effective way to clean the resin bed
- Ideal for medium or large households
- Can be used with city or well water sources
- Installation kit includes custom fit bypass valve



SPECIFICATIONS

Model Number	NST45ED1
Part Number	7366449
Household Size	1-6+ people
Max. Capacity (grains)	45,300
Resin (cu. ft)	1.26
Standard Connection Size	1" NPT
Valve	1" valve; up to 1 1/4" plumbing
Connection Size	1" male pipe thread
Rated Service Flow Rate (gpm)	10
Intermittent Flow Rate (gpm @ 30 psi drop)	18.6
Clear Water Iron Reduction (ppm)	12
Electronic Demand	Yes
Max. Efficiency (per minimum salt dose)	5,070 @ 2.6 lbs
Dimensions	Resin Tank and Electronics H 50" X W 10 1/2" Brine Tank H 39" X W 18"
NSF Certification (NSF/ANSI standard)	44 & 372

WARRANTY

1 year on all parts | **5 year** on electronics and valves | **10 year** on tanks

70,000 GRAIN WATER SOFTENER

MODEL: NST70ED1 | PN: 7366457

FEATURES

- Utilizes AutoSense™ Technology to monitor your water usage and determine the optimal frequency of regeneration, minimizing salt and water use
- Ultra high-flow for up to 1" plumbing delivers maximum water pressure
- Utilizes reverse flow regeneration, proven to be the most effective way to clean the resin bed
- Ideal for medium or large households
- Can be used with city or well water sources
- Installation kit includes custom fit bypass valve



SPECIFICATIONS

Model Number	NST70ED1
Part Number	7366457
Household Size	1-6+ people
Max. Capacity (grains)	70,000
Resin (cu. ft)	1.94
Standard Connection Size	1" NPT
Valve	1" valve; up to 1 1/4" plumbing
Connection Size	1" male pipe thread
Rated Service Flow Rate (gpm)	13.5
Intermittent Flow Rate (gpm @ 30 psi drop)	21
Clear Water Iron Reduction (ppm)	19
Electronic Demand	Yes
Max. Efficiency (per minimum salt dose)	5,080 @ 4.1 lbs
Dimensions	Resin Tank and Electronics H 65 3/4" X W 12 1/4" Brine Tank H 39" X W 18"
NSF Certification (NSF/ANSI standard)	44 & 372

WARRANTY

1 year on all parts | **5 year** on electronics and valves | **10 year** on tanks

DRINKING WATER FILTRATION



REVERSE OSMOSIS FILTRATION SYSTEM

MODEL: NSRO42C4 | PN: 7287695

FEATURES

- Three-stage system provides the highest level of filtration for the ultimate in cleanliness and clarity
- Slim line design easily fits under the sink
- High capacity storage tank
- Utilizes twist and pull sanitary filters which allow you to easily replace filters without touching filter media or having to turn the water off to replace filters
- Lead-free all metal designer faucet comes with a water quality monitor that indicates when to replace filters
- Installation kit includes all components needed for a typical install
- Sophisticated electronics measure the contaminants in the water and shows how much water you've used, reminding you when to change the filters



CONTAMINANT REDUCTION



CHLORINE



SEDIMENT



CYSTS



LEAD



CHEMICALS



DISSOLVED SOLIDS



Model: NSROF
Pre/Post Filter Set
PN: 7287506



Model: NSROM
Membrane Filter
PN: 7287514

SPECIFICATIONS	
Model Number	NSRO42C4
Part Number	7287695
For Use with Filters	NSROF & NSROM
Daily Production Rate (gal)	14.76
Storage Tank Capacity (gal)	2.4
Flow Rate (gpm)	Up to 1.0
Inlet - Outlet	3/8" Quick Connect
Filter Life	750 gal or 6 months
RO Membrane Life	2 years
NSF Certification (NSF/ANSI Standard)	42, 58, 372
Faucet	Chrome w/LED Ring - 7290135 (included) Brushed Nickel w/LED Ring - 7289728 (sold separately)
1 year parts warranty	•

DUAL STAGE FILTRATION SYSTEM

MODEL: NSDW500 | PN: 7358187

FEATURES

- Two stages of filtration reduce contaminants, taste and odors.
- Easy to install
- Slim line design easily fits under the sink
- One-year limited warranty
- Includes installation fitting and tubing
- Easy quarter turn filter change without turning off the water
- 6-month filter life
- Faucet required - sold separately
- Delivers high quality water at your sink



CONTAMINANT REDUCTION



CHLORINE



SEDIMENT



CYSTS



LEAD



CHEMICALS



Model: NSDW500R
7358195

SPECIFICATIONS

Model Number	NSDW500R
Part Number	7358195
For Use with Filter	NSDW500R
Flow Rate (gpm)	Up to 0.5
Filter Life	270 gal or 6 months
NSF Certification (NSF/ANSI Standard)	42, 53, 372
1 year parts warranty	•

FULL FLOW WATER FILTRATION SYSTEM

MODEL: NSDW300 | PN: 7358276

FEATURES

- Compact design easily installs under the kitchen or bathroom sink
- No additional faucet required
- Utilizes twist-and-pull sanitary filters for easy replacements, without shutting the water supply off
- Installation kit includes all components needed for a typical install
- Filter should be replaced every 6 months or 2000 gallons
- Connects cold water supply line to your existing faucet
- Includes a one-year limited warranty

**REPLACES
30,296
BOTTLES OF WATER
EVERY YEAR***



CONTAMINANT REDUCTION



CHLORINE



SEDIMENT



Model: NSDW300R
7358284

SPECIFICATIONS	
Model Number	NSDW300
Part Number	7358276
For Use with Filters	NSDW300R
Flow Rate (gpm)	2.0
Inlet - Outlet	3/8" Quick Connect
Filter Life	2000 gal or 6 months
NSF Certification (NSF/ANSI Standard)	42, 53, 372
1 year parts warranty	•

5-YEAR REFRIGERATOR FILTER

MODEL: NSIF200 | PN: 7358315



FEATURES

- Lasts five times longer than most refrigerator filters
- Fits most refrigerator brands, including Samsung, LG, Whirlpool, Kenmore, Frigidaire and GE
- Perfect for refrigerator water dispensers, ice makers, RVs, motor homes, etc.
- Installation kit includes 1/4" compression fitting and 1/4" simple push to connect fittings

CONTAMINANT REDUCTION



CHLORINE



SEDIMENT

SPECIFICATIONS

Model Number	NSIF200
Part Number	7358315
Flow Rate (gpm)	0.5
Inlet - Outlet	1/4" Quick Connect & 1/4" Compression
Filter Life	2500 gal or 5 years
NSF Certification (NSF/ANSI Standard)	42, 53, 372



WHOLE HOME FILTRATION

10" STANDARD OPAQUE HOUSING

MODEL: NS200 | PN: 7358438

FEATURES

- Features an integrated mounting bracket and pressure release button for quick filter changes
- Uses most major brands of 10" standard capacity whole home filters
- Compatible with North Star filters: **NS217, NSF217, NS205, NS225 & NS250** (filter not included)
- **Includes:** mounting bracket, screws, installation guide

CONTAMINANT REDUCTION*



CHLORINE



SEDIMENT

UNIVERSAL
FIT



SPECIFICATIONS

Part Number	7358438
Inlet - Outlet	3/4" FNPT
Operating Temperature	40-100°F / 5-38°C
Operating Pressure	40-100psi / 275-690kPa
Product Dimensions (H x W)	13.5" x 4.5"
Uses Filter Size (H x W)	2.5" x 10"
NSF Certification (NSF/ANSI Standard)	42 & 372
1 year parts warranty	•

* Contaminant reduction dependent on filter selection

10" STANDARD CLEAR VALVE-IN-HEAD HOUSING

MODEL: NSV200T | PN: 7358420

FEATURES

- Features integrated bypass valve and clear sump for easier filter changes
- Uses most major brands of 10" standard capacity whole home filters
- Compatible with North Star filters: **NS217, NSF217, NS205, NS225 & NS250** (filter not included)
- **Includes:** sump wrench, bracket, screws, installation guide

CONTAMINANT REDUCTION*



CHLORINE



SEDIMENT

UNIVERSAL
FIT



SPECIFICATIONS

Part Number	7358420
Inlet - Outlet	3/4" FNPT
Operating Temperature	40-100°F / 5-38°C
Operating Pressure	40-100psi / 275-690kPa
Product Dimensions (H x W)	14" x 5.5"
Uses Filter Size (H x W)	2.5" x 10"
NSF Certification (NSF/ANSI Standard)	42 & 372
1 year parts warranty	•

* Contaminant reduction dependent on filter selection

10" LARGE OPAQUE HOUSING

MODEL: NS900 | PN: 7358454

FEATURES

- Designed for homes with up to 1" plumbing
- Features mounting bracket and integrated pressure release button for quick filter changes
- Uses most major brands of 10" large capacity whole home filters
- Compatible with North Star filters: **NS917, NSF917, NS905, NS925 & NS950** (filter not included)
- **Includes:** sump wrench, bracket, screws, installation guide

CONTAMINANT REDUCTION*



CHLORINE



SEDIMENT

20" LARGE OPAQUE HOUSING

MODEL: NS9002 | PN: 7358462

FEATURES

- Designed for homes with up to **1" plumbing**
- Features mounting bracket and integrated pressure release button for quick filter changes
- Uses most major brands of 20" standard capacity whole home filters
- Compatible with North Star filters: **NS9172 & NS9252** (filter not included)
- **Includes:** sump wrench, bracket, screws, installation guide

CONTAMINANT REDUCTION*



CHLORINE



SEDIMENT



SPECIFICATIONS	
Part Number	7358454
Inlet - Outlet	1" FNPT
Operating Temperature	40-100°F / 5-38°C
Operating Pressure	40-100psi / 275-690kPa
Product Dimensions (H x W)	13.25" x 7.25"
Uses Filter Size (H x W)	4.5" x 10"
NSF Certification (NSF/ANSI Standard)	42 & 372
1 year parts warranty	•

* Contaminant reduction dependent on filter selection



SPECIFICATIONS	
Part Number	7358462
Inlet - Outlet	1" FNPT
Operating Temperature	40-100°F / 5-38°C
Operating Pressure	Max: 100psi / 690kPa
Product Dimensions (H x W)	23.5" x 7.25"
Uses Filter Size (H x W)	4.5" x 20"
NSF Certification (NSF/ANSI Standard)	42 & 372
1 year parts warranty	•

* Contaminant reduction dependent on filter selection

10" STANDARD CAPACITY FILTERS



**UNIVERSAL
FIT**

NSF Certified under NSF/ANSI 42

Universal Fit

- Fits most major brands of whole home housings

Grooved

- Provides more surface area and greater capacity

Carbon Block

- Improves taste and odor of drinking water

Premium Carbon with FACT®

- Low pressure drop allows for high flow rate
- High sediment filter - resistant to clogging

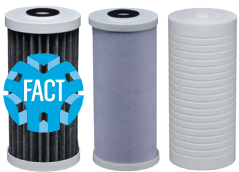
SPECIFICATIONS

Model Number	NS225	NS205	NS217	NSF217
Part Number	7358331	7358323	7358226	7358234
Description	Grooved	Grooved	Carbon Block	Premium Carbon with FACT®
Dimensions	2.5" x 10"	2.5" x 10"	2.5" x 10"	2.5" x 10"
Micron Rating	25	5	5	0.7
Flow Rate (gpm)	9	9	4	5
Max Water Temperature	140°F/60°C	140°F/60°C	100°F/40°C	100°F/40°C
Filter Life	3 Months	3 Months	3 Months	6 Months
Compatible with Systems	NSV200T NS200	NSV200T NS200	NSV200T NS200	NSV200T NS200

CONTAMINANT REDUCTION

Sediment - Sand, Dirt, Rust	•	•	•	•
Chlorine Taste & Odor			•	•

10" LARGE CAPACITY FILTERS



**UNIVERSAL
FIT**

NSF Certified under NSF/ANSI 42

Universal Fit

- Fits most major brands of whole home housings

Grooved

- Provides more surface area and greater capacity

Carbon Block

- Improves taste and odor of drinking water

Premium Carbon with FACT®

- Low pressure drop allows for high flow rate
- High sediment filter - resistant to clogging

SPECIFICATIONS

Model Number	NS925	NS905	NS917	NSF917
Part Number	7358373	7358365	7358200	7358242
Description	Grooved	Grooved	Carbon Block	Premium Carbon with FACT®
Dimensions	4.5" x 10"	4.5" x 10"	4.5" x 10"	4.5" x 10"
Micron Rating	25	5	25	0.7
Flow Rate (gpm)	20	20	4	22
Max Water Temperature	140°F/60°C	140°F/60°C	100°F/40°C	100°F/40°C
Filter Life	3 Months	3 Months	3 Months	6 Months
Compatible with Systems	NS900	NS900	NS900	NS900

CONTAMINANT REDUCTION

Sediment - Sand, Dirt, Rust	•	•	•	•
Chlorine Taste & Odor			•	•

20" STANDARD & LARGE CAPACITY FILTERS



NSF Certified under NSF/ANSI 42

Universal Fit

- Fits most major brands of 20" whole home housings

Grooved

- Provides more surface area and greater capacity

Carbon Block

- Improves taste and odor of drinking water

SPECIFICATIONS

Model Number	NS9252	NS9172
Part Number	7358404	7358218
Description	Grooved	Carbon Block
Dimensions	4.5" x 20"	4.5" x 20"
Micron Rating	25	25
Flow Rate (gpm)	50	25
Max Water Temperature	140°F/60°C	100°F/40°C
Filter Life	3 Months	3 Months
Compatible with Systems	NS9002 & NS9003	NS9002 & NS9003

CONTAMINANT REDUCTION

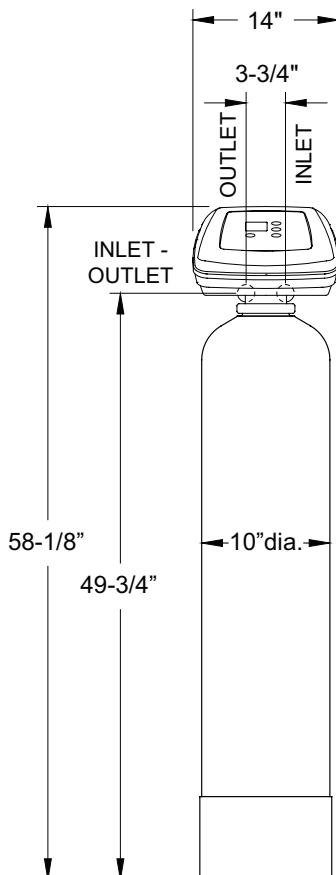
Sediment - Sand, Dirt, Rust	•	•
Chlorine Taste & Odor		•

CHLORINE/CHLORAMINE FILTER

MODEL: NSCCTOSSA | PN: 7340794

FEATURES

- Easy to use
- Free of chemicals
- High flow rate: 14 gpm
- Suitable for most homes
- Multiple parallel units can be used for maximum flows
- Self-flushing
- Skin protection from chlorine and chloramines
- Large 1" connections
- Coconut shell, high activity catalytic carbon



SPECIFICATIONS

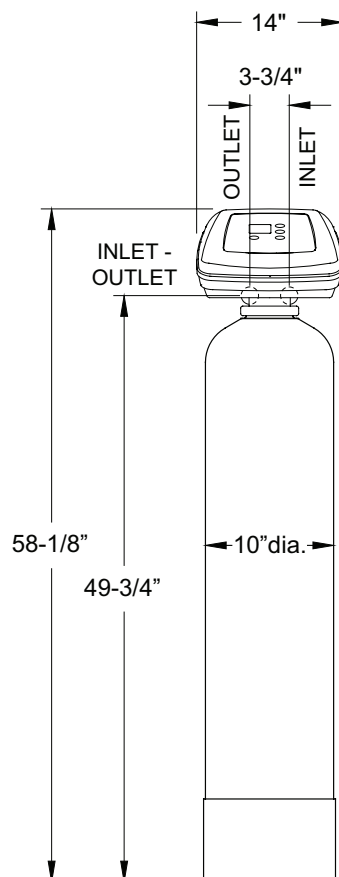
Part Number	7340794
Household Size	All
Nominal Mineral Tank Size	10" x 47"
Supply Water pH Limitation Level	Variable
Mineral Type	Catalytic Carbon
Amount of Mineral	.71 cu. ft.
Amount of Filter Sand	10 lbs
Amount of Gravel Base	17 lbs.
Inlet Water Pressure Limits	20-125 PSI
Max. Water Temperature	120°F
Min. Inlet Water Flow	270 gal./hour
Pipe Size	1"
Electrical Rating	24V 60Hz
Service Flow Rates	10 gpm @10 psi pressure drop
Backwash Flow Rate	5 gpm
Type of Backwash Process	Automatic

ALL PURPOSE FILTER (EMPTY)

MODEL: NSAPFSSA | PN: 7263154

FEATURES

- Automatic solid state, all purpose tank filter (media not included)
- 10" x 47" empty tank
- Select the mineral type and configuration that best treat the problem water
- Solid-state control provides precise control of all functions
- Capacitor maintains setting up to 6 hours
- Vacation setting
- Extra regeneration for high water use
- Large 1" Connection



SPECIFICATIONS

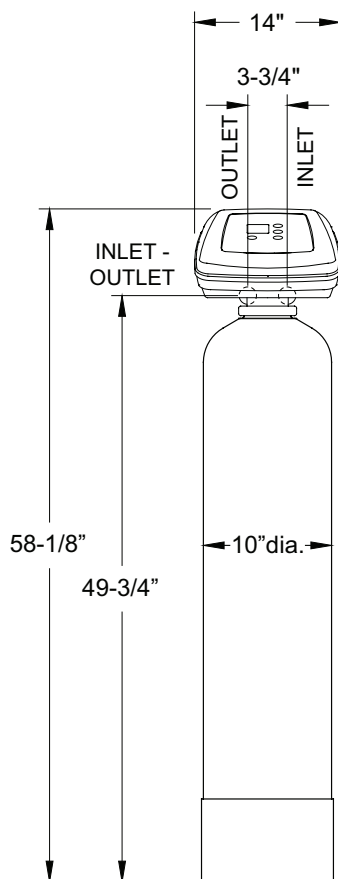
Part Number	7263154
Household Size	All
Nominal Mineral Tank Size	10" X 47"
Supply Water pH Limitation Level	Variable
Mineral Type	Not Supplied
Amount of Mineral	1 cu. ft.
Amount of Filter Sand	10 lbs
Amount of Gravel Base	17 lbs
Inlet Water Pressure Limits	20-125 psi
Max. Water Temperature	120* F
Min. Inlet Water Flow	270 gal./hour
Pipe Size	1"
Electrical Rating	24V 60Hz
Service Flow Rates	NA
Backwash Flow Rate	5 gpm
Type of Backwash Process	Automatic

OH2-IRON FILTER

MODEL: NSAIV10 | PN: 7336127

FEATURES

- No bleach, no potassium permanganate, no chemicals
- Naturally aspirated air used to oxidize contaminants, zeolite media filters contaminants out and backwashes them to the drain
- No pumps, air is aspirated into system after the backwash cycle
- 1" plumbing connections
- Easy-to-use 24-volt controller — just plug transformer into wall outlet
- Full 1" diameter riser tube — for increased flow rate
- Multi-wrap™ fiberglass reinforced resin tank
- Multi-cycle valve with easy-clamp ring and patented coated disc
- Zeolite with washed quartz under bedding
- Includes bypass valve and installation kit



SPECIFICATIONS

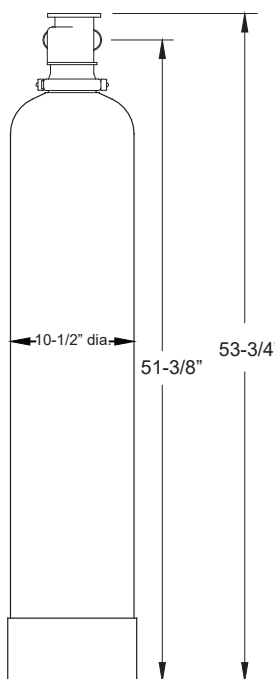
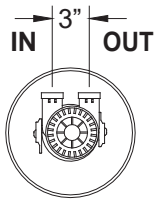
Part Number	7336127
Household Size	All
Nominal Mineral Tank Size	10" x 47"
Mineral Type	Zeolite
Amount of Mineral	1.0 cu. ft.
Amount of Gravel Base (Quartz)	17 lbs. (29 lbs. for 12")
Contaminant Reduction Limitations	Up to 10 ppm Iron
Max. Water Pressure	80 PSI
Water Temperature Limits	40-120°F
Flow Rate	7-10 gpm
Backwash Flow Rate	7 gpm
Electrical Rating	24V 60Hz
Type of Backwash Process	Automatic
Service Flow Rates	NA
Backwash Flow Rate	5 gpm
Type of Backwash Process	Automatic

IN/OUT ALL PURPOSE FILTER

MODEL: IOAPF10 | PN: 7356127

FEATURES

- Upflow, all-purpose tank filter (media not included)
- 10" x 47" empty tank
- Select the mineral type and configuration that best treats the problem water
- Upflow design does not require water for backwashing
- Fill port on in/out adapter allows addition of media without removing the adapter
- Large 1" connection
- Multiple parallel units can be used for maximum flows
- Suitable for most homes



SPECIFICATIONS	
Part Number	7356127
Household Size	All
Nominal Mineral Tank Size	10" X 47"
Media Type	Custom Media Options
Amount of Media	3 lbs
Amount of Quartz Gravel	16 lbs
Max Neutralite Mix Media (not included)	100 lbs
Service Flow Rate	10 gpm
Max Water Pressure	125 psi
Max Water Temperature	120°F
Backwash Flow Rate	7 gpm
Electrical Rating	24V 60Hz
Type of Backwash Process	Automatic

CENTRAL WATER FILTRATION SYSTEM

MODEL: NSWHCW | PN: 7358179

FEATURES

- Provides filtered water throughout your entire home, without filters to replace
- Reduces chlorine and sediment from the water supply, perfect for municipal water
- System automatically flushes, cleans and drains its internal filter every 14 days
- High-flow valve maintains water pressure throughout the home, including your shower and appliances
- Connects with up to 1" plumbing
- Includes: installation kit with custom fit bypass valve, installation guide



CONTAMINANT REDUCTION



CHLORINE



SEDIMENT



SPECIFICATIONS

Part Number	7358179
Flow Rate	6 gpm
Water Pressure Limits	30 - 125 psi
Water Temperature Limits	40 - 100°F
Drain Flow Rate	3.4 gpm
Estimated Total Capacity	570,000 gallons
NSF Certification	42

WARRANTY

1 year parts | **3 year** electronic control board | **10 year** media tank

SALT-FREE ANTI-SCALE SYSTEM

MODEL: EPAWCS | PN: EPAWCS8

FEATURES

- Anti-scale media reduces hard water buildup in pipes and fixtures
- Helps maintain the life and performance of water-using appliances
- Doesn't require water softener salt to operate
- Filters out sediment, dirt, rust and sand for cleaner, clearer water throughout your home
- Carbon filtration for better-tasting water
- Automatic bypass eliminates need to shutoff household water supply when changing filters

CONTAMINANT REDUCTION



CHLORINE



SEDIMENT



SCALE



Model: EPAWCF
EPAWCF8



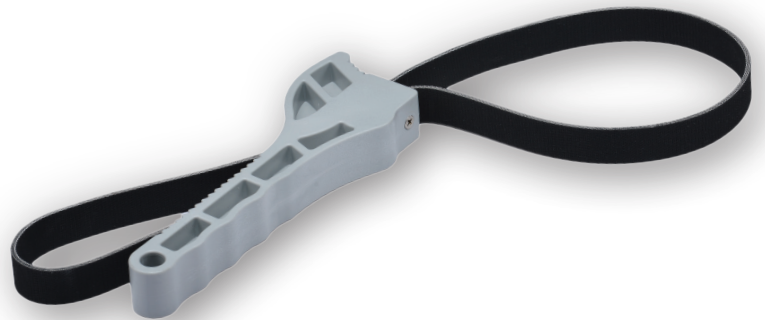
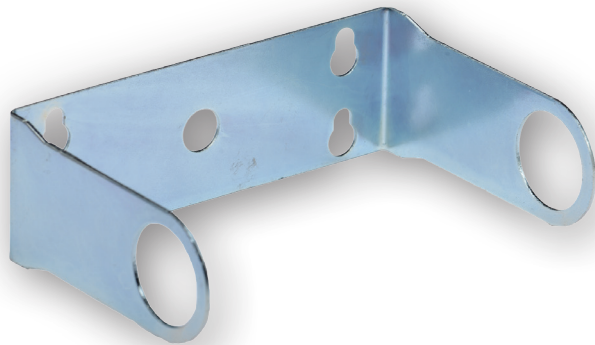
SPECIFICATIONS

Part Number	EPAWCS8
Flow Rate (gpm)	9
Filter Life	6 Months
Inlet - Outlet	1" MNPT
Operating Temperature	40-100°F / 5-38°C
Operating Pressure	30-100psi / 207-690kPa
Product Dimensions (H x W)	12.0" x 16.0"

WARRANTY

1 year parts

RESIDENTIAL ACCESSORIES

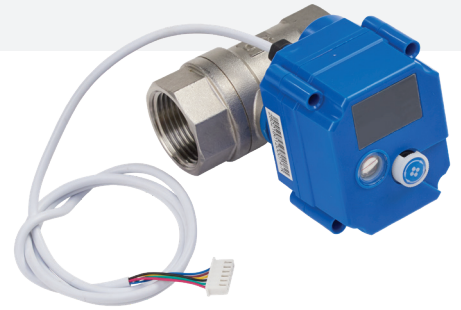


MOTORIZED WATER SHUT-OFF VALVE

MODEL: 7388598 | PN: 7388598

FEATURES

- Provides leak protection throughout the entire home
- Motorized ball valve plumbed into the water supply line
- Connects directly to the water softener electronic board via a plug connector
- Can be installed right at the softener or up to 10 feet away
- Remote control (on/off) of the incoming water supply via the iQua App
- Compatible with North Star Systems: [NSCWHC](#)



REPLACEMENT O-RING KIT

MODEL: NSORK100 | PN: 7363425

FEATURES

- Replacement O-Rings for 10" sumps
- Includes grease packet
- Compatible with North Star Systems: [NS200](#), [NSV200T](#) & [NS900](#)

UNIVERSAL
FIT



MOUNTING BRACKET

MODEL: EP2BR | PN: EP2BR00

FEATURES

- Mounting bracket for 3/4" plumbed whole home housings
- Compatible with North Star Systems: [NS200](#) & [NSV200T](#)

UNIVERSAL
FIT



UNIVERSAL STRAP WRENCH

MODEL: EPUSW | PN: EPUSW00

FEATURES

- Use with 10" and 20" standard- and large-capacity filter housings
- Compatible with all housing systems except EPAWCS

UNIVERSAL
FIT



POLISHED CHROME DESIGNER FAUCET

MODEL: WHEFCHR | PN: WHEFCHR

FEATURES

- Designed with an air gap
- Sleek polished chrome finish
- Includes 3/8" tubing connection
- Compatible with North Star systems: NSDW500



BRUSHED NICKEL DESIGNER FAUCET

MODEL: WHEFSAT | PN: WHEFSAT

FEATURES

- Designed with an air gap
- Satin Finish
- Includes 3/8" tubing connection
- Compatible with North Star Systems: NSDW500



POLISHED CHROME DESIGNER FAUCET W/ELEC. BASE

MODEL: 7290135 | PN: 7290135

FEATURES

- Faucet, Chrome Finish, with Electronic Monitor Base, for Reverse Osmosis Systems
- Compatible with North Star systems: NSRO42C4



BRUSHED NICKEL DESIGNER FAUCET W/ELEC. BASE

MODEL: 7289728 | PN: 7289728

FEATURES

- Faucet, Satin Finish, with Electronic Monitor Base, for Reverse Osmosis Systems
- Compatible with North Star systems: NSRO42C4



SCAN FOR
PRODUCT RESOURCES,
ARTICLES, AND MORE



SCAN FOR
NORTH STAR
TRAINING VIDEOS



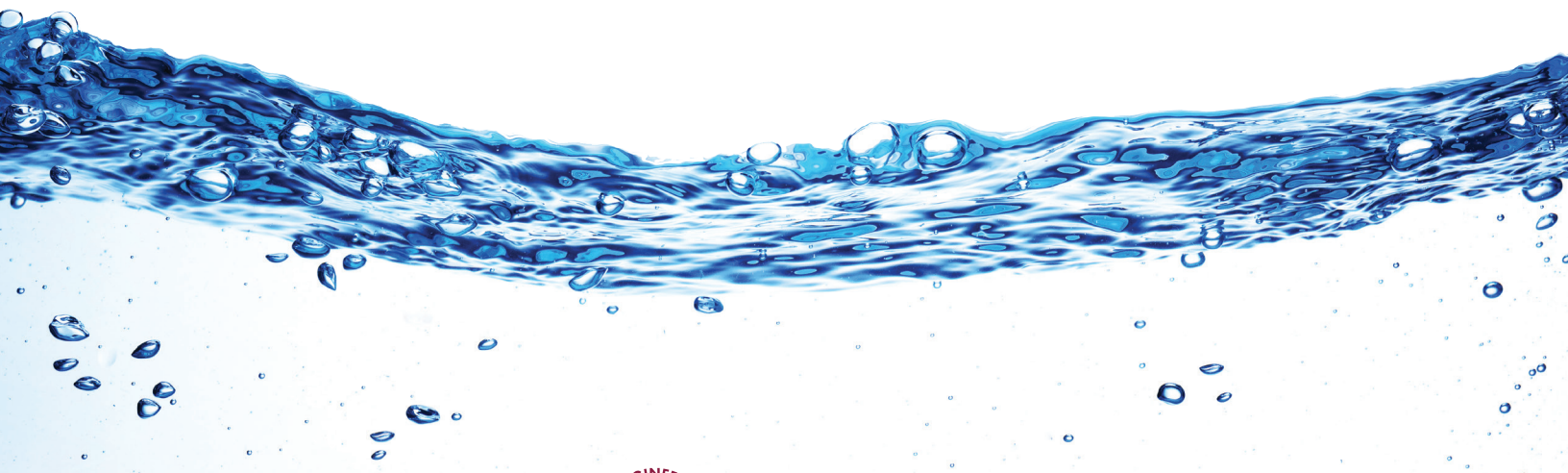
WANT TO **KNOW MORE?**

If you need more information about North Star Water Filtration Systems, contact us or get in touch with your local North Star representative.

HOW TO **CONTACT US**

info@northstarwater.com | www.northstarwater.com

NORTH STAR ALSO OFFERS A COMPREHENSIVE LINE OF
COMMERCIAL SOFTENING PRODUCTS



NORTH STAR[™]
WATER TREATMENT SYSTEMS

info@northstarwater.com / www.northstarwater.com
1-800-972-0135