

SPECIFICATIONS

Nominal ventilation airflow (CFM)	200 CFM
Capacity ⁽¹⁾ pints/day	100 ppd
Energy factor ⁽¹⁾	2.6 L/kWh
Energy star qualified	No
Airflow @ varying E.S.P. (external static pressure - dry coil)	
0.0" w.c.	280 CFM
0.2" w.c.	245 CFM
0.4" w.c.	210 CFM
Voltage, phase, frequency	120VAC, 1, 60 Hz
Current draw ⁽¹⁾	6.9 Amps
Noise-Fan Only	52.8 dBA (ducted)
Noise-Compressor and Fan	55.0 dBA (ducted)
Dimensions:	Width: 14"
	Height: 15"
	Length: 26"
Unit Weight	64 lbs.
Shipping Weight	82 lbs.
Inlet air operating conditions during	
-Dehumidification:	50°F-104°F, 40°F dew point min.
-Ventilation:	40°F-140°F, 0%-99% RH

⁽¹⁾Rated capacity, energy factor and current draw measured at 80°F/60% RH inlet air at 0.0 ESP.

FEATURES

Control	Built-in digital control with display
Control mounting option	Field interchangeable from top to front
Cabinet insulation	1/2" EPS
Air discharge orientation	Top or end air discharge
Inlet/Outlet duct collars	10" round
Back damper at outlet	Included
Air filter	Washable MERV 8
Refrigeration	R-410A
Coil type	Corrosion-resistant aluminum
8' Power cord type	Plug type
Drain connection ⁽³⁾	3/4" PVC
Warranty	5 Years

⁽³⁾Thread adapter and barbed fitting for 3/4" clear drain tubing included.



FEATURES

- + Removes moisture from outdoor air before it enters the living space
- + Unit is designed, when properly installed, to achieve ASHRAE Standard 62.2
- + Integral moisture and ventilation control
- + Optional ventilation control via thermostat (see below)
- + High and Low Temperature Limit Lock-outs
- + Simple plug-in installation
- + Installation temperature range up to 140°

RECOMMENDED CONTROLS

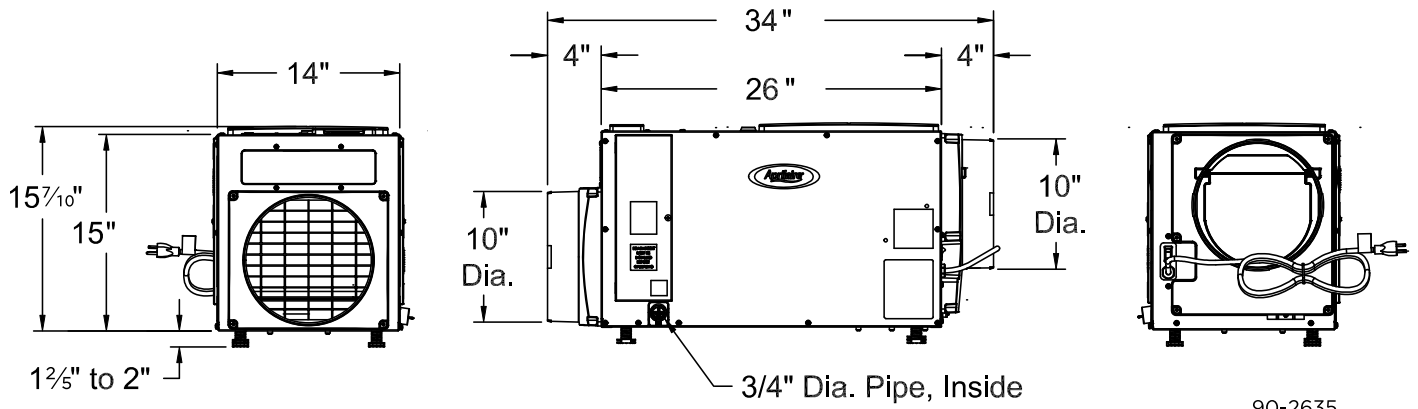
- + Aprilaire Thermostat Models
-8620, 8620W -8910, 8910W -8920W
- + Aprilaire Communicating Thermostat Models
-8820 -8830 -8840
- + Zone Control Systems
-6010 -6015 -6020 -6025
-6030 -6035 -6040 -6045

BENEFITS

- + Helps control RH in the home during periods when the air conditioning system does not run long enough to remove sufficient moisture. If air conditioner can satisfy RH requirements, the Aprilaire unit's compressor shuts off
- + Optimize energy savings by locking out ventilation during hottest/coldest times of the day
- + Improves indoor air quality
- + Installation labor reduced, requires only a power outlet and 24 volt wiring to HVAC system

When properly installed and set, the Aprilaire Model 8192A ventilator with dehumidification will meet the mechanical ventilation requirements of:

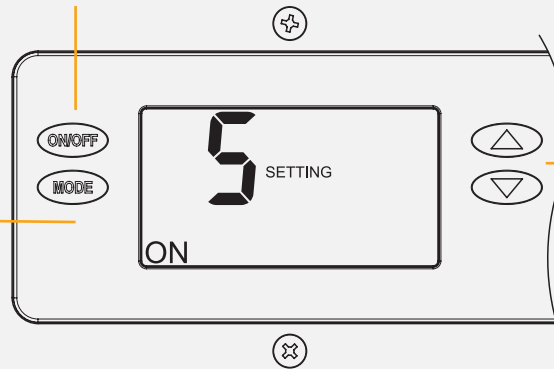
- + ASHRAE 62.2
- + Energy Star Certified Homes
- + EPA Indoor airPLUS
- + International Residential Code (IRC)



90-2635

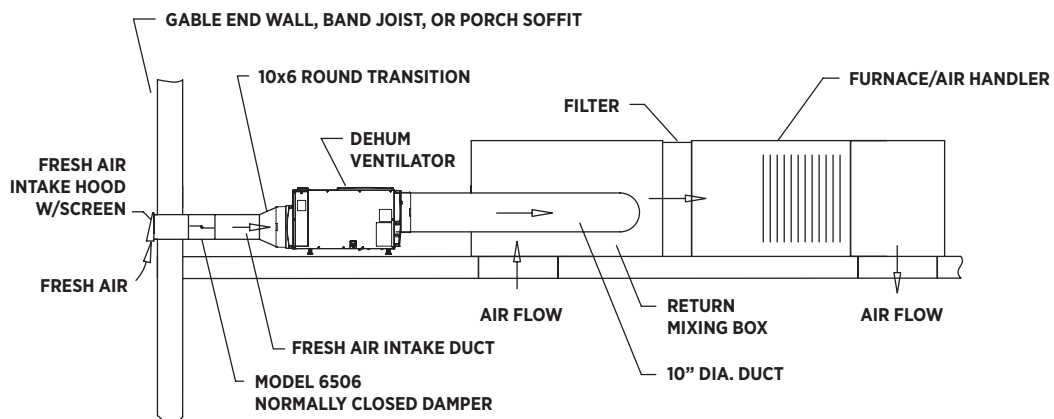
ON/OFF button used to turn the ventilator on and off

MODE button used to access ventilation time setting



UP/DOWN buttons used to change humidity or vent time setting

Ducting the Ventilator



AprilairePartners.com
Form No. 3066 • 305668 02.21
©2021 Aprilaire - Division of Research Products Corporation

APRILAIRE RESERVES THE RIGHT TO CHANGE SPECIFICATIONS WITHOUT NOTICE.

P.O. Box 1467
Madison, WI 53701-1467
800.334.6011 F: 608.257.4357

Aprilaire®