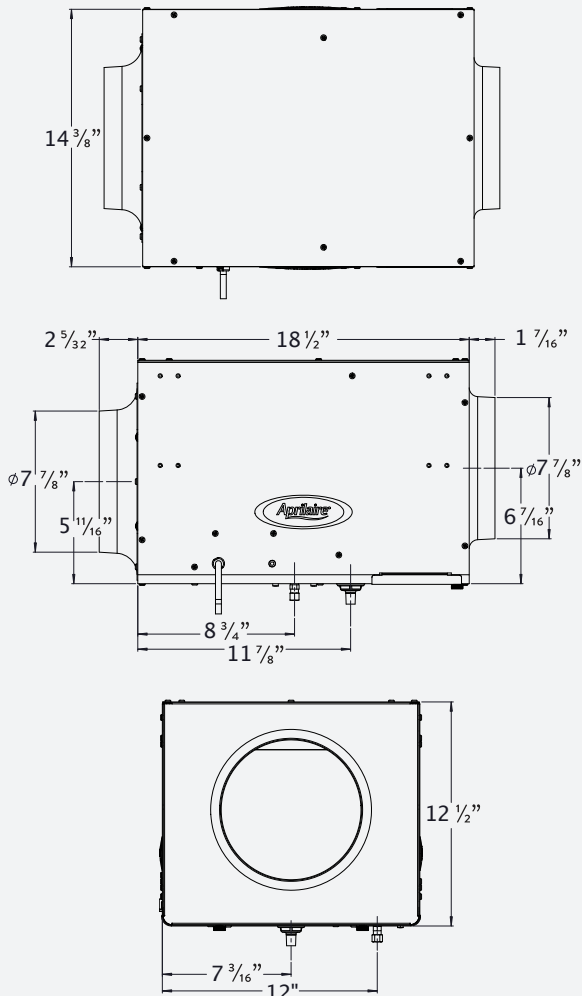


SPECIFICATIONS

Capacity	13 gpd at 80 ft. effective hard duct length for homes up to 3,500 sq ft with tight construction*	
Voltage, phase, frequency	120VAC, 1 phase, 60 Hz	
Airflow @ varying E.S.P. (external static pressure - dry coil)		
0.0" w.c.		270 CFM
0.1" w.c.		255 CFM
0.15" w.c.		250 CFM
0.2" w.c.		245 CFM
Current draw	0.7 Amps	
Noise	55 dBA (hard duct)	49 dBA (flex duct)
Dimensions: (housing and transitions)	Width	14 ³ / ₈ "
	Height	12 ¹ / ₂ "
	Length	22 ³ / ₃₂ "
Weight	29.2 lbs.	
Inlet air operating conditions	Minimum 65°F	
Inlet water operating conditions	Minimum 120°F	

*Based on AHRI Guideline F Humidifier Sizing. Can satisfy a 2,000 sq ft home with average construction.



► FEATURES

- + Whole-home fan-powered humidifier
- + Perfect for homes heated with boilers, mini-splits, radiant heat, and other ductless systems
- + Simple mounting and installation
- + Our quietest self-contained evaporative humidifier*
- + 30% more capacity than our Model 350 humidifier
- + Quick water panel replacement at bottom of unit
- + Ducted return and ducted supply available
- + Includes Model 65 digital humidistat, saddle valve, 6' power cord, mounting brackets
- + 5-year warranty

► PRINCIPLE OF OPERATION

The Aprilaire 300 Series is a whole-home, fan-powered evaporative humidifier designed to draw air into the unit with a fan and undergoes evaporative humidification by passing incoming air over a wetted water panel. Humidification continues until the set point is reached. A time delay function keeps the fan blowing for several minutes after a humidity call is complete to dry out the water panel. When humidity as sensed by the humidistat drops below the set point, the humidifier begins another humidity cycle.

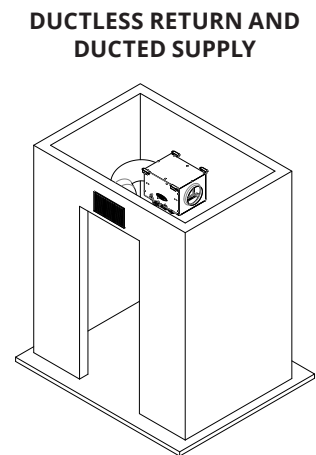
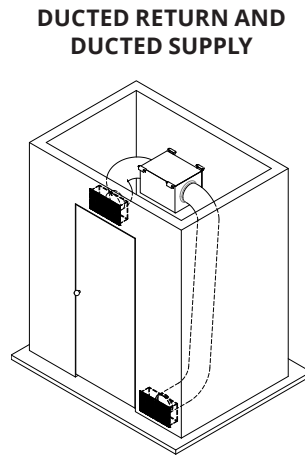
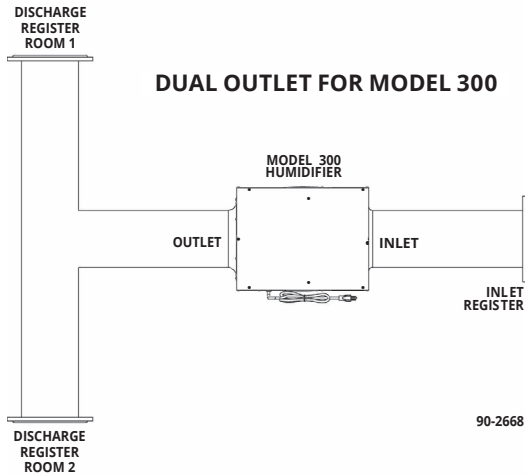
► APPLICATION

The 300 Series is perfect for humidifying homes that do not have forced air systems. The unit is easily mounted onto joists and the duct can be fed into the living space through a grille.



*When compared to Aprilaire Model 350 in the same conditions.

INSTALLATION OPTIONS FOR THE MODEL 300



The unit can be mounted off the joists or in between joists which are spaced at least 14.5" apart. Hard duct or flex duct can be used. The sound of the unit decreases when using flex duct.



DEDICATED MONITORING



MODEL 65

Dedicated monitoring and control of the humidifier from the living space.

MODEL 65 SPECIFICATIONS

MODEL 65 SPECIFICATIONS	
Electrical	External
Input voltage and current	Voltage: 24VAC (supplied by humidifier control board)
Control	External
Control range	10%-50% RH
Accuracy	±5%
Differential	3%
Operating ranges	40°F - 99°F 5% - 90% RH (non-condensing)