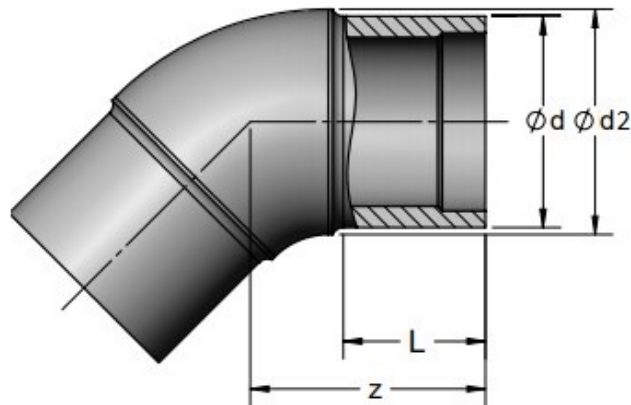




BUTT FITTINGS 45° ELBOWS: PE4710, DIPS, DR11

- Approval: AWWA C906
- Certified to NSF/ANSI/CAN-61-G

Main Size (inch)	GF Code	weight (lb)	d (inch)	d2 (inch)	L (inch)	z (inch)	Box Qty
4	360 000 192	3.1	4.80	5.16	4.10	6.05	10
6	360 000 204	8.9	6.90	7.30	5.10	7.16	2
8	360 000 217	14.8	9.05	9.48	5.17	8.32	2
10	360 000 166	43.0	11.10	11.25	6.00	13.25	1
12	360 000 176	68.0	13.20	13.35	7.50	15.88	1



The technical data are not binding. They neither constitute expressly warranted characteristics nor guaranteed properties nor a guaranteed durability. They are subject to modification. Our General Terms of Sale apply.

Georg Fischer Piping Systems Ltd, Postfach, CH-8201 Schaffhausen/Switzerland

Phone +41 -(0)52-631 1111

e-mail: info.ps@georgfischer.com

Internet: <http://www.gfps.com>