

# 30" CALVERTON STAINLESS STEEL UNDERMOUNT KITCHEN SINK

SKU: 447789

Code: SHCAUCA3018



## FEATURES

Material: Stainless Steel  
Product Finish: Stainless Steel  
Installation Type: Undermount  
Shape: Rectangle  
Drain Placement: Center Rear  
Fits Drain Hole Size: 3-1/2"  
Faucet Centers: No Faucet Hole  
Overflow Hole: No  
Mounting Hardware Included: Yes

Optional Accessory: Strainer: SH482757, SH482758, SH480532, SH446624, SH482759, SH480531, SH402266, SH212170, SH446628, SH171SS, SH482752, SH482753, SH480538, SH446614, SH446615, SH482754, SH480537, SH196809, SH212165, SH446618, SH406049, Basin Grid: 447806

ASME A112.19.3/CSA B45.4, LISTED ID: SHCAUCA3018



## ADDITIONAL FEATURES

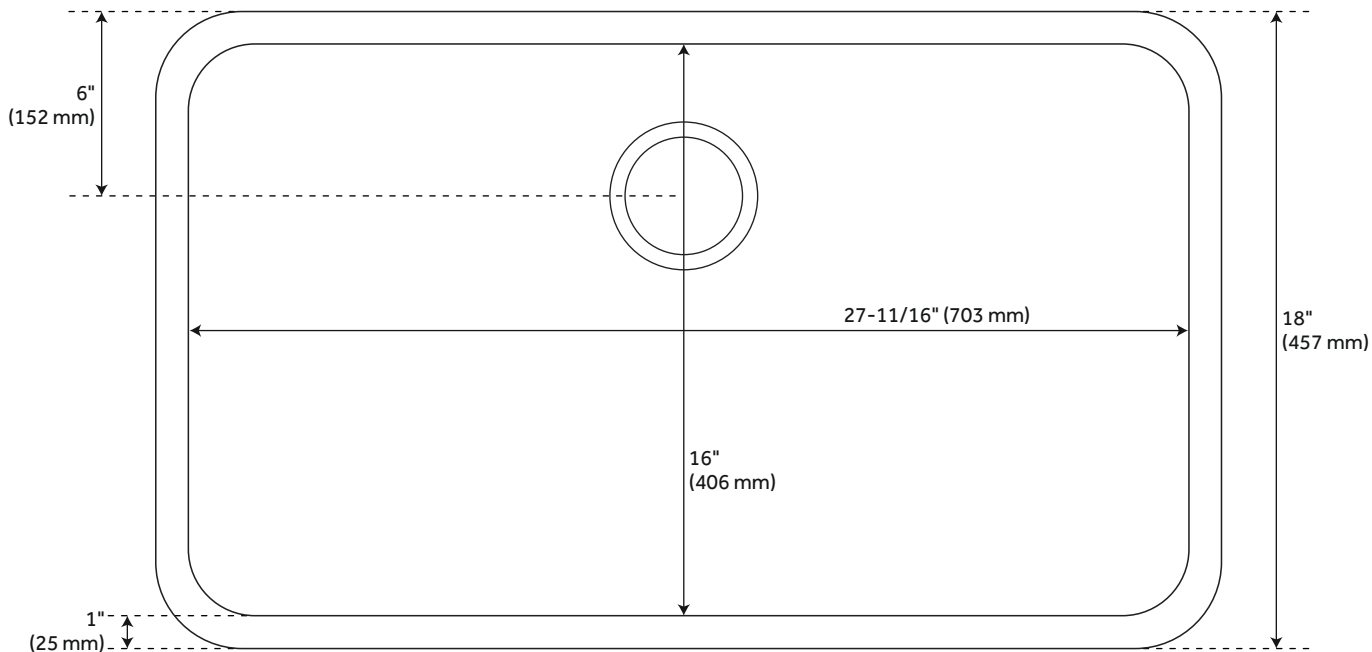
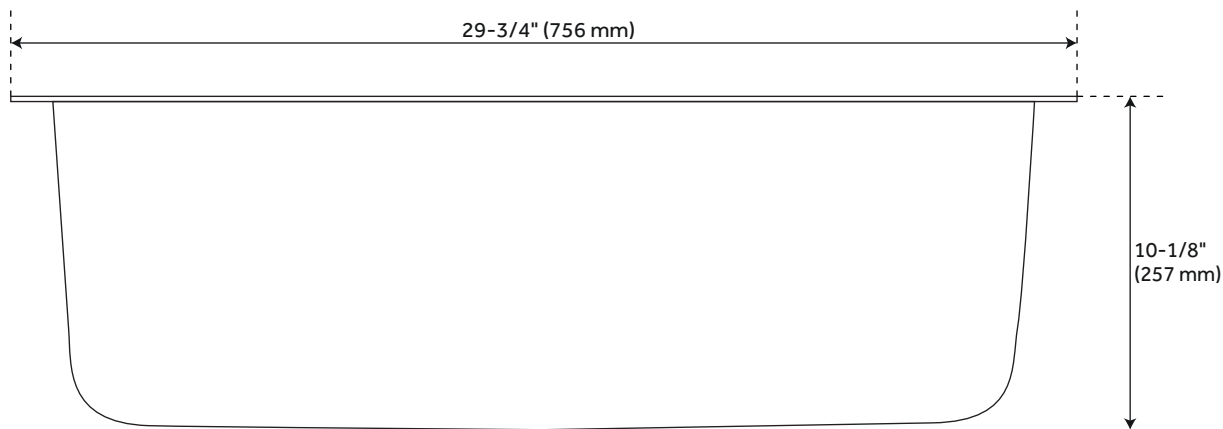
- Type 304 stainless steel.
- It is recommended to have the sink at the job site before cutting cabinet or counter top.
- Sound absorption pads on the underside of sink.
- Has a undercoating to prevent condensation buildup.

REVISED 7/11/2024

# 30" CALVERTON STAINLESS STEEL UNDERMOUNT KITCHEN SINK

SKU: 447789

Code: SHCAUCA3018



All dimensions and specifications are nominal and may vary. Use actual products for accuracy in critical situations.