

# 15" ORTEGA

## STAINLESS STEEL UNDERMOUNT PREP SINK

SKU: 948560



### FEATURES

- Material: Stainless Steel
- Basin Split: Single
- Shape: Square
- Sink Installation: Undermount
- Faucet Centers: No Faucet Hole
- Number of Basins: 1
- Product Color: Stainless Steel
- Metal Gauge/Thickness: 16 Gauge
- Faucet Included: No
- Faucet Holes: No Faucet Hole
- Drain Included: Optional
- Reversible Mounting : Yes
- Exterior Treatment: Smooth
- Interior Treatment: Smooth
- It is Recommended to Have the Sink at the Job Site Before Cutting Cabinet or Counter Top
- Sound Absorption Pads on the Underside of Sink
- Has an Undercoating to Prevent Condensation Buildup

### CONTENTS

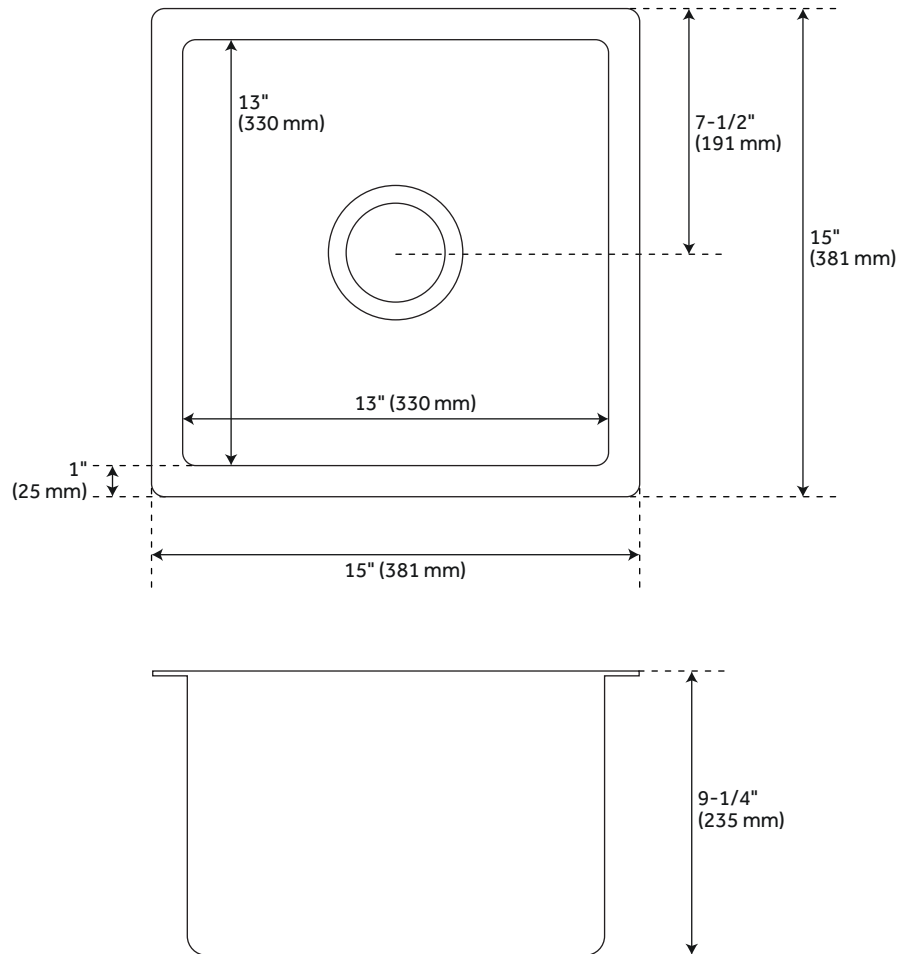
UNDERMOUNT SINK .....	PAGE 2
OPTIONAL GRID .....	PAGE 3

REVISED 11/11/2020

# 15" ORTEGA

## STAINLESS STEEL UNDERMOUNT PREP SINK

SKU: 948560



### FEATURES

Length: 15"  
Width: 15"  
Height: 9-1/4"  
Basin Length: 13"  
Basin Width: 13"  
Water Depth to Rim: 9"  
Rim Thickness: 1"

### CODES/STANDARDS

cUPC  
ASME A112.19.3/CSA B45.4  
Massachusetts Accepted

### PRODUCT IMAGE



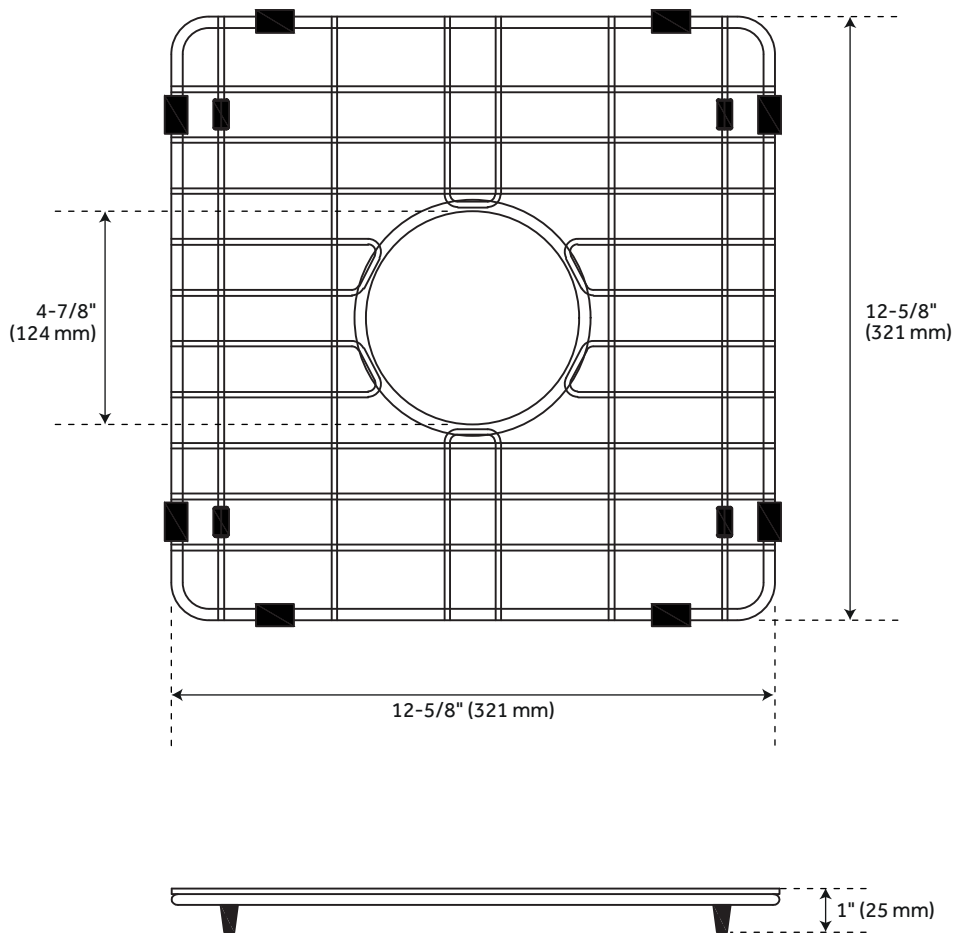
All dimensions and specifications are nominal and may vary. Use actual products for accuracy in critical situations.

PAGE 2  
Code: SHORUC1515

# ORTEGA

## SINK GRID FOR 15" STAINLESS STEEL SINK

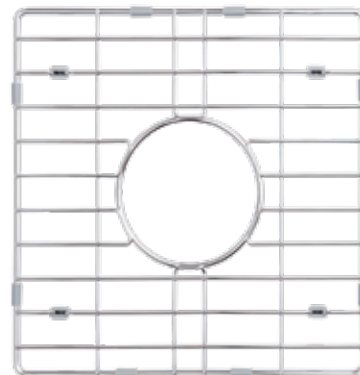
SKU: 951155



### FEATURES

- Material: Stainless Steel
- Length: 12-5/8"
- Width: 12-5/8"
- Height: 1"
- Drain Size: 4-7/8"

### PRODUCT IMAGE



All dimensions and specifications are nominal and may vary. Use actual products for accuracy in critical situations.

PAGE 3  
Code: SHG1313