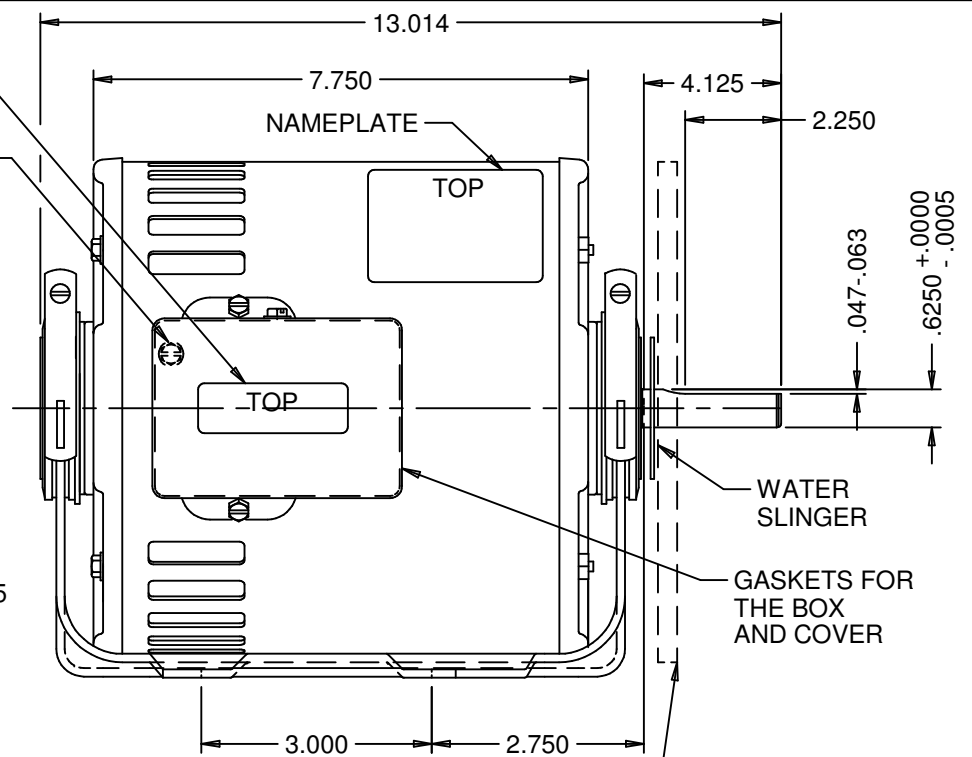
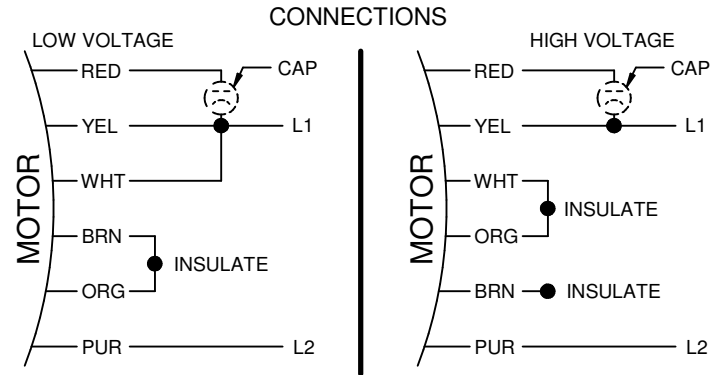


NOTE:
 50 HZ
 VOLTS=200-220/380-415
 60 HZ
 VOLTS=208-230/460



- NOTES:
 1.) GROMMET IN SHELL WHERE LEADS EXIT MOTOR.
 2.) BEARINGS REQUIRE KRYTOX GPL 225 GREASE WITH TEMP. RANGE OF -20°F TO 400°F.

6 LEADS #18 GA., .031 THICK INSULATION TO EXTEND BEYOND TOP OF OUTLET BOX. BUT BUNDLED INSIDE IT FOR SHIPMENT.
 BROWN=8"±2", PUR=8"±2"
 WHITE=8"±2", YELLOW=8"±2"
 ORANGE=8"±2", RED=8"±2".
 LEADS STRIPPED .750



CAPACITOR IS SUPPLIED BY THE CUSTOMER.
 FOR TEST, CONNECT CAPACITOR BETWEEN RED AND YEL LEADS

CAPACITOR ALWAYS BETWEEN RED AND YEL LEADS

NIDEC MOTOR CORPORATION 09-Oct-17

MODEL	REF	CUSTOMER	HP	VOLTS	AMPS	HZ	RPM	ROTATION	CUSTOMER PN
K63HXTPF-4856		STANDARD	3/4	208-230/460	4.8/2.5	50/60	920/1100	CCW LEAD END	

SHEET NUMBER	REV	REVISION RECORD FOR: ECO E29749
1 OF 1	E	CHANGED VIEW GROUND LEAD TO BEHIND BASE LE.
REVISION DATE		
10-OCT-17		

INFORMATION DISCLOSED ON THIS DOCUMENT IS CONSIDERED PROPRIETARY AND SHALL NOT BE REPRODUCED OR DISCLOSED WITHOUT WRITTEN CONSENT OF NIDEC MOTOR CORPORATION

NIDEC MOTOR CORPORATION

ISSUED BY	REVIEWED BY	ENGINEER APPROVED
C. LUGO	F. FLORES	J. I. SALAZAR

TITLE	CODE	ITEM NO.	SIZE
ASSEMBLED VIEW	V01	748258	A