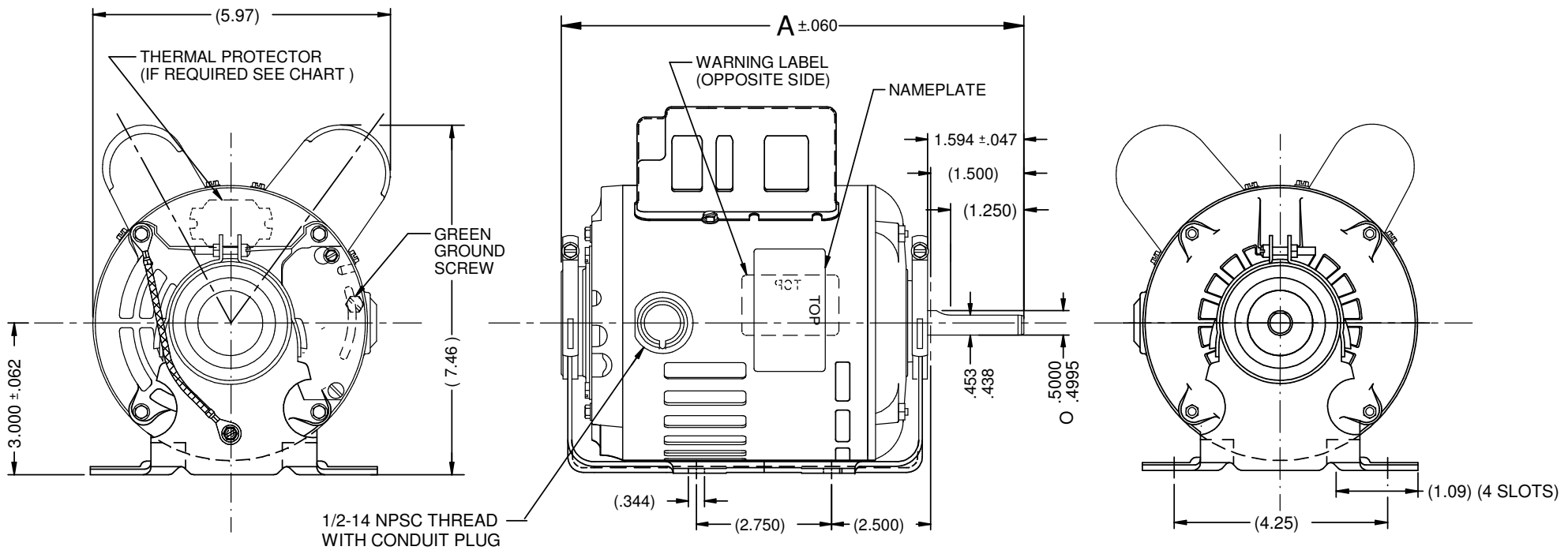


VAR	MODEL	CUSTOMER	CAT. NO.	A	B	C	D	HP	VOLTS	SF	AMPS	HZ	RPM	CONN VOLTS	PROT.	DESCRIPTION / REMARKS
001	T55CPJ-1515	USEM	D13CP2P49	9.94	-----	-----	-----	1/3	115/230	1.35	3.8/1.9	60	1725	115	NONE	RESIL. BASE ODP BALL BRG
002	T55JXCRF-1535	USEM	D13CPA2P49	9.94	-----	-----	-----	1/3	115/230	1.35	3.8/1.9	60	1725	115	AUTO	RESIL. BASE ODP BALL BRG
003	T55CGP-1528	USEM	D13CP2Z49	9.907	-----	-----	-----	1/3	115/230 & 110/220	1.35	3.8/1.9	60 & 50	1725 & 1425	115	NONE	N48, ODP, RESILIENT BASE



NIDEC MOTOR CORPORATION 09-Jun-15 MOTOR IS CCW LEAD END, TO REVERSE ROTATION INTERCHANGE RED AND BLACK LEADS REFER TO S.E.I.M. 24-1

REVISION RECORD FOR: ECO E24256		TOLERANCES ON DIMENSIONS (UNLESS OTHERWISE SPECIFIED)		NIDEC MOTOR CORPORATION				REVISION DATE: 11-NOV-15				
CHANGED DIMENSION "A" FROM 10.31 FOR 9.907 IN PAGE #1 & #2.		INCHES .XX = ± .010 .XXX = ± .005		mm		INFORMATION DISCLOSED ON THIS DOCUMENT IS CONSIDERED PROPRIETARY AND SHALL NOT BE REPRODUCED OR DISCLOSED WITHOUT WRITTEN CONSENT OF NIDEC MOTOR CORPORATION						
ISSUED BY: M. MEDINA		ENGINEER APPROVED: K. HOLTZSCHER		ANGLES X° = ±1°		TITLE: CUSTOMER DETAIL DRAWING		CODE: V02	ITEM NO.: 803266	REV: D	SHEET NUMBER: 1 OF 4	DWG SIZE: B