

EFFECTIVE:
17-NOV-14

SUPERSEDES:
27-AUG-14

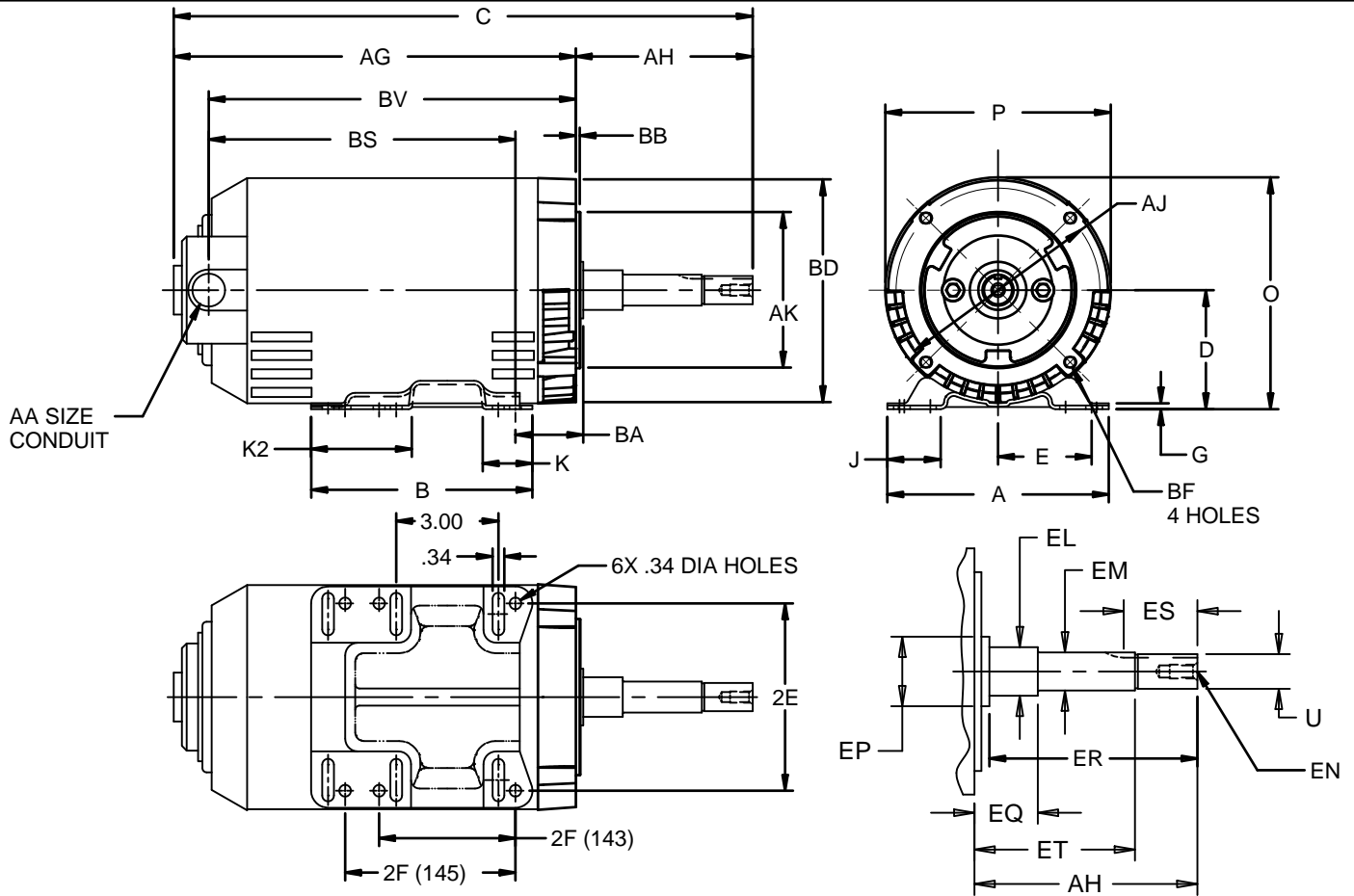
DIMENSION PRINT

OPEN DRIP PROOF WITH MULTI-MOUNT BASE

FRAME: 143JM THRU 145JP
BASIC TYPE: D1, D4

PRINT:
07-3138

SHEET:
1 OF 1



ALL DIMENSIONS ARE IN INCHES AND MILLIMETERS

UNITS	A	B	D	E	2E	G	J	K	K2	O	P ²
IN	6.50	6.50	.06 3.50	2.75	±.03 5.50	.13	1.75	1.75	3.25	6.72	6.44
MM	165	165	89	70	140	3	44	44	83	171	164

UNITS	U	AA	AG	AJ	AK	BA	BB	BD	BF ⁴
IN	-.0005 .8745	.75	11.13	5.875	4.500	2.75	.156	6.63	3/8-16 X .56
MM	22.212		283	149.23	114.30	70	3.96	168	

UNITS	BS	BV	EL	EM	EN ⁴	EP	ES	SQ
IN	6.75	9.66	-.002 1.156	-.0005 1.0000	3/8-16 X .75	MIN 1.16	MIN 1.65	KEY .188
MM	171	245	29.36	24.500		29	42	4.78

FRAME	UNITS	C	2F	AH	EQ	ER	ET
143JM	IN	15.38	±.03 4.00	±.031 4.250	±.015 .625	MIN 4.25	±.015 2.875
	MM	391	102	107.95	15.88	108	73.03
145JM	IN	15.38	5.00	4.250	.625	4.25	2.875
	MM	391	127	107.95	15.88	108	73.03
143JP	IN	18.44	4.00	7.313	1.563	7.31	5.938
	MM	468	102	185.75	39.70	186	150.83
145JP	IN	18.44	5.00	7.313	1.563	7.31	5.938
	MM	468	127	185.75	39.70	186	150.83

1. ALL ROUGH DIMENSIONS MAY VARY BY .25" DUE TO CASTING AND/OR FABRICATION VARIATIONS.
2. LARGEST MOTOR WIDTH.
3. TAP SIZE AND BOLT PENETRATION ALLOWANCE.
4. ALL TAPPED HOLES ARE UNIFIED NATIONAL COARSE, RIGHT HAND THREAD.
5. TOLERANCES SHOWN ARE IN INCHES ONLY.
6. FRAME REFERENCE: 7.750/143/145

TOLERANCES	
FACE RUNOUT	.004 T.I.R.
PERMISSIBLE ECCENTRICITY OF MOUNTING RABBET	.004 T.I.R.
PERMISSIBLE SHAFT RUNOUT	.002 T.I.R.

07-3138/A

Nidec Motor Corporation
St. Louis, Missouri

INFORMATION DISCLOSED ON THIS DOCUMENT
IS CONSIDERED PROPRIETARY AND SHALL NOT BE
REPRODUCED OR DISCLOSED WITHOUT WRITTEN
CONSENT OF NIDEC MOTOR CORPORATION



ISSUED BY
R. KING
APPROVED BY
J. HAGENE

IHP_DP_NMCA (MAR-2011) SOLIDEDGE