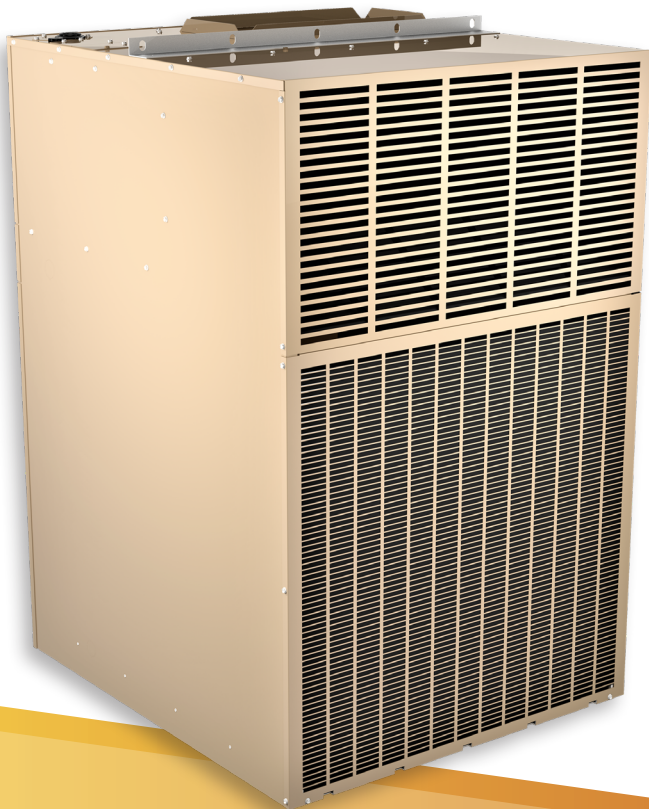




FIRST CO.
P.O. BOX 270969 - DALLAS, TEXAS 75227
PH. (214) 388-5751 | SALES@FIRSTCO.COM
WWW.FIRSTCO.COM

FIRST-PAK[™]

GAS



SINGLE PACKAGE VERTICAL GAS UNIT

80% AFUE

9,000 through 30,000 BTUH Cooling Capacity

Up to 60,000 BTUH Heating Capacity

Up to 13.0 SEER



Features and benefits



FEATURES

- Self-contained packaged units with gas-fired heating and electric cooling
- Pre-wired and pre-charged from factory
- Eliminates the need for outdoor condensing section units, line-sets and separate ventilation
- All FPG series units are compatible with Magic-Pak, Comfort-Pack and Condo-Pack

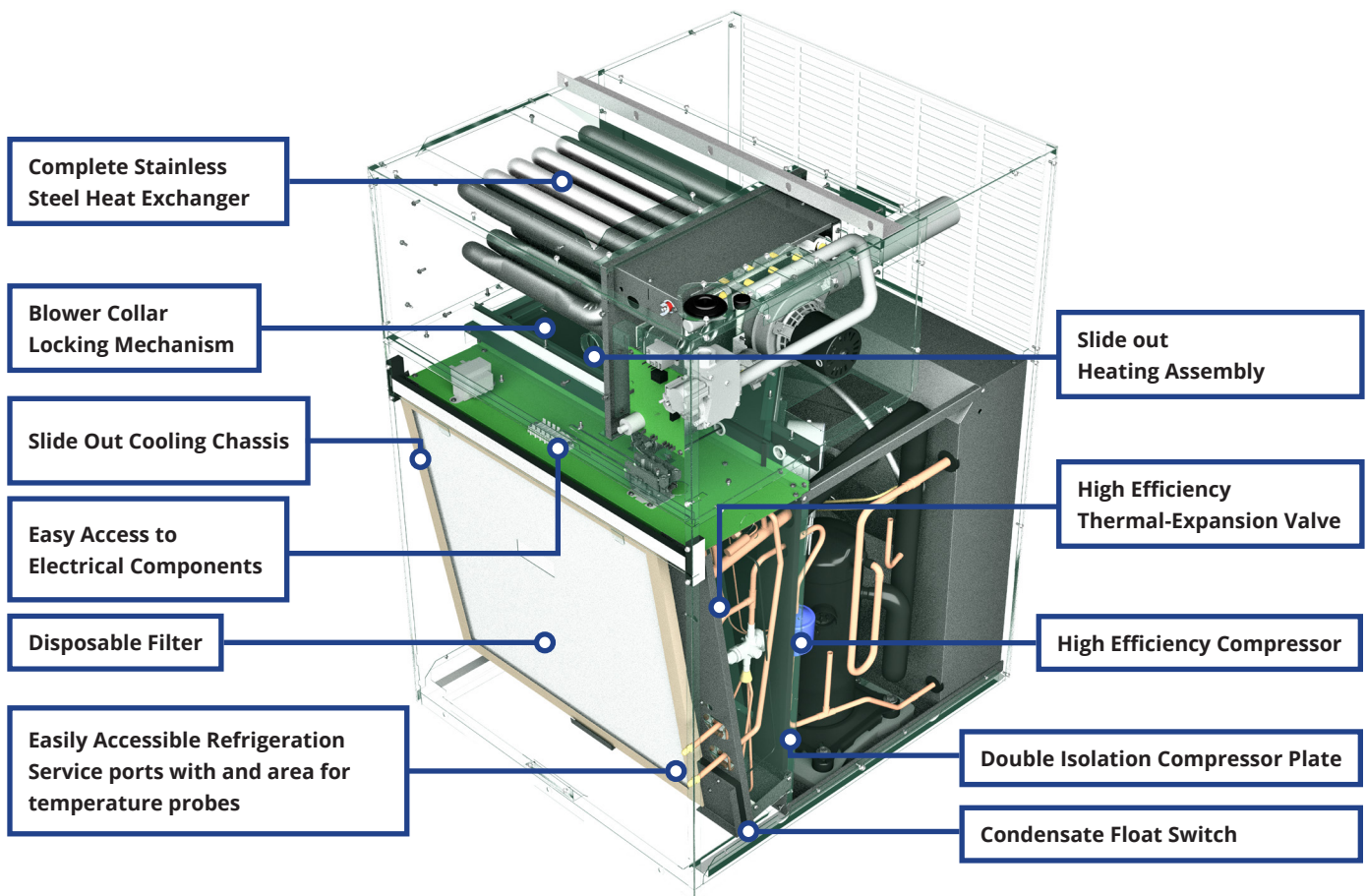
PRODUCT FEATURES

- High efficiency scroll and rotary compressors
- Easily accessible refrigeration service ports with an area for temperature probes
- Factory installed condensate float switch
- 13 SEER Efficiency for 12k,18k and 24k models, 12 SEER on 9k and 30k models
- Architectural louvers available
- Larger air coil with low face velocity for improved cooling performance
- 80% AFUE gas heat rating for all FPGN8 series models
- Stainless steel heat exchanger for corrosion resistance
- High efficiency ECM indoor blower with multiple speed taps for precise airflow selection
- High efficiency ECM condenser fan motor to improve system efficiency
- Closed cell insulation inside of cooling compartment to improve cooling performance and reduce noise
- Dual inlet indoor blower to lower fan rpm's, improve efficiency and reduce noise
- Double isolated compressor mount to lower compressor noise and vibration
- Blower collar locking mechanism to improve seal between cooling chassis and cabinet
- Warranty: 20 year for heat exchanger and 5 year for parts

Features and Benefits

SERVICEABILITY FEATURES

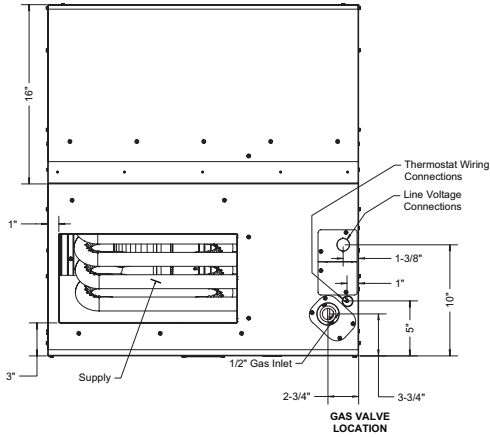
- Slide out cooling chassis for ease of service
- Slide out heating assembly that allows for easy access to all gas heat components
- High efficiency TXV on all models to allow for field adjustments, if required
- See through sight glass that allows for viewing the control board status codes and main burner function
- All electrical components are serviceable from front of the unit
- Compressor capacitor, compressor contactor, and indoor fan control located on panel at the front of the unit
- Additional cooling chassis can be stocked and switched out to limit down time of the occupant



Physical Data

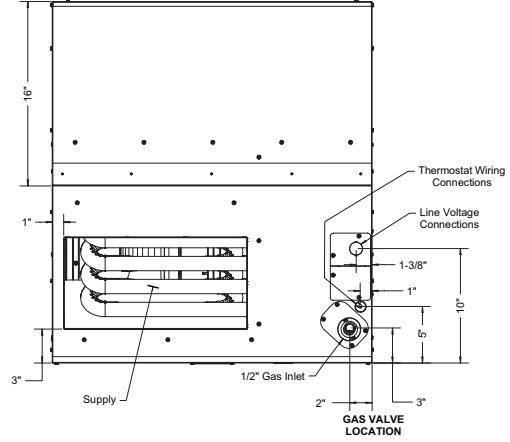
PHYSICAL UNIT DATA

**TOP VIEW:
2 - 5 BURNERS**



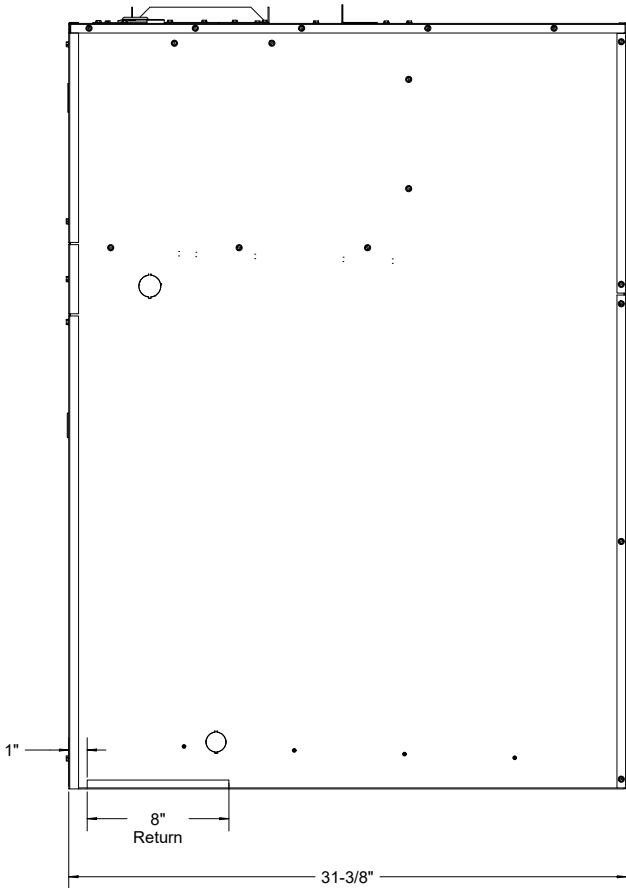
PHYSICAL UNIT DATA

**TOP VIEW:
6 BURNERS**



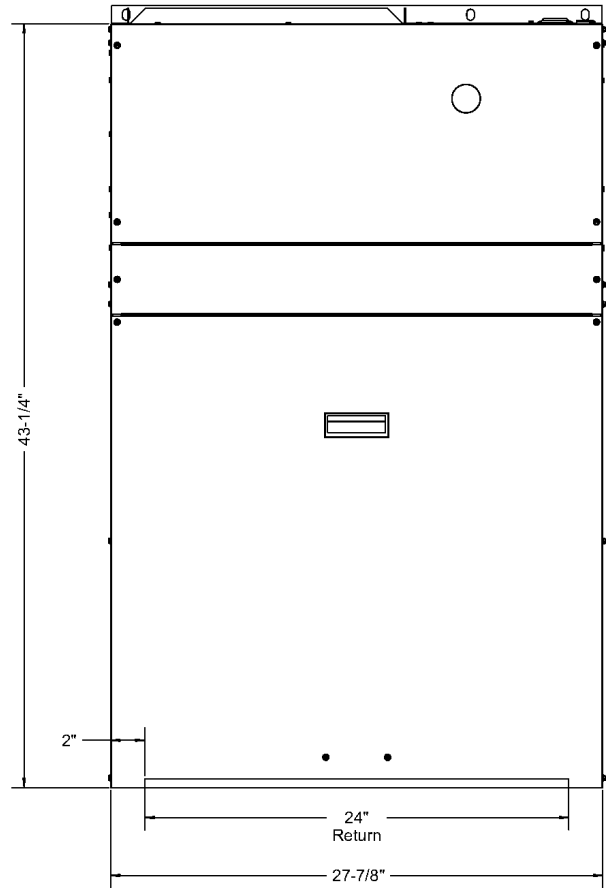
PHYSICAL UNIT DATA

RIGHT VIEW



PHYSICAL UNIT DATA

FRONT VIEW



Physical Data (continued)

FIRST-PAK 9,12 AND 18								
	FPG20N8C09A	FPG20N8C12A	FPG30N8C12A	FPG40N8C12A	FPG30N8C18A	FPG40N8C18A	FPG50N8C18A	FPG60N8C18A
Unit Information								
Quantity / Type	Rotary (1)	Rotary (1)	Rotary (1)	Rotary (1)	Rotary (1)	Rotary (1)	Rotary (1)	Rotary (1)
Factory Charge (R410A) lbs. [kg]	3.7 [1.7]	3.9 [1.8]	3.9 [1.8]	3.9 [1.8]	6.4 [2.9]	6.4 [2.9]	6.4 [2.9]	6.4 [2.9]
Compressor Capacitor	40MFD/370V	40MFD/370V	40MFD/370V	40MFD/370V	35MFD/ 370V	35MFD/ 370V	35MFD/ 370V	35MFD/ 370V
Condenser Fan HP [kW]	1/5 [.15]	1/5 [.15]	1/5 [.15]	1/5 [.15]	1/3 [.25]	1/3 [.25]	1/3 [.25]	1/3 [.25]
Indoor Fan HP [kW]	1/4 [.17]	1/4 [.17]	1/4 [.17]	1/4 [.17]	1/3 [.25]	1/3 [.25]	1/2 [.37]	1/2 [.37]
Blower Size (D X W) in. [mm]	10 x 6 [254 x 152]							
Condenser Dimension (H x W) in. [mm]	26x23 [660 x 584]							
Evaporator Dimension (H x W) in. [mm]	24x22 [610 x 558]							
Filter Size (H x W) [mm]	24x24 [610 x 610]							
Input BTU/h [kW]	20000 [5.9]	20000 [5.9]	30000 [8.8]	40000 [11.7]	30000 [8.8]	40000 [11.7]	50000 [14.7]	60000 [17.6]
Output BTU/h [kW]	16000 [4.7]	16000 [4.7]	24000 [7]	32000 [9.4]	24000 [7]	32000 [9.4]	40000 [11.7]	48000 [14.1]
AFUE	80	80	80	80	80	80	80	80
No. of Burners	2	2	3	4	3	4	5	6
Orifice Size (Natural Gas) in. [mm]	.061 [1.55]	.061 [1.55]	.061 [1.55]	.061 [1.55]	.061 [1.55]	.061 [1.55]	.061 [1.55]	.061 [1.55]
Max. Outlet Air Temp. °F [°C]	155 [68]	155 [68]	160 [71]	160 [71]	160 [71]	160 [71]	165 [74]	165 [74]
Max. Static Pressure IWC [pa]	0.5 [125]							
Gas Piping Connection in. [mm]	½" [12.7]							
Operating Weight lb. [kg]	283 [129]	283 [129]	285 [130]	287 [130]	347 [158]	350 [159]	364 [165]	367 [167]
Shipping Weight lb. [kg]	303 [138]	303 [138]	305 [139]	307 [140]	367 [167]	370 [168]	384 [175]	387 [176]

Physical Data (continued)

FIRST-PAK 24 AND 30							
	FPG30N8C24A	FPG40N8C24A	FPG50N8C24A	FPG60N8C24A	FPG40N8C30A	FPG50N8C30A	FPG60N8C30A
Unit Information							
Quantity / Type	Scroll (1)	Scroll (1)	Scroll (1)	Scroll (1)	Scroll (1)	Scroll (1)	Scroll (1)
Factory Charge (R410A) lbs. [kg]	6.3 [2.9]	6.3 [2.9]	6.3 [2.9]	6.3 [2.9]	6.7 [3.0]	6.7 [3.0]	6.7 [3.0]
Compressor Capacitor	35MFD/ 370V	35MFD/ 370V	35MFD/370V	35MFD/370V	35MFD/ 370V	35MFD/370V	35MFD/370V
Condenser Fan HP [kW]	1/3 [.25]	1/3 [.25]	1/3 [.25]	1/3 [.25]	1/3 [.25]	1/3 [.25]	1/3 [.25]
Indoor Fan HP [kW]	1/3 [.25]	1/3 [.25]	1/2 [.37]	1/2 [.37]	1/2 [.37]	1/2 [.37]	1/2 [.37]
Blower Size (D X W) in. [mm]	10 x 6 [254 x 152]						
Condenser Dimension (H x W) in. [mm]	26x23 [660 x 584]						
Evaporator Dimension (H x W) in. [mm]	24x22 [610 x 558]						
Filter Size (H x W) [mm]	24x24 [610 x 610]						
Input BTU/h [kW]	30000 [8.8]	40000 [11.7]	50000 [14.7]	60000 [17.6]	40000 [11.7]	50000 [14.7]	60000 [17.6]
Output BTU/h [kW]	24000 [7]	32000 [9.4]	40000 [11.7]	48000 [14.1]	32000 [9.4]	40000 [11.7]	48000 [14.1]
AFUE	80	80	80	80	80	80	80
No. of Burners	3	4	5	6	4	5	6
Orifice Size (Natural Gas) in. [mm]	.061 [1.55]	.061 [1.55]	.061 [1.55]	.061 [1.55]	.061 [1.55]	.061 [1.55]	.061 [1.55]
Max. Outlet Air Temp. °F [°C]	160 [71]	160 [71]	165 [74]	165 [74]	160 [71]	165 [74]	165 [74]
Max. Static Pressure IWC [pa]	0.5 [125]						
Gas Piping Connection in. [mm]	½" [12.7]						
Operating Weight lb. [kg]	347 [158]	361 [164]	364 [165]	367 [167]	361 [164]	364 [165]	367 [167]
Shipping Weight lb. [kg]	367 [167]	381 [173]	384 [175]	387 [176]	381 [173]	384 [175]	387 [176]

Fan Air Flow Performance

FPG AIRFLOW PERFORMANCE													
MODEL	Motor Speed	Mid Rise °F	Rise Range °F	IWC STATIC PRESSURE									
				0.1		0.2		0.3		0.4		0.5	
				SCFM	Temp Rise	SCFM	Temp Rise	SCFM	Temp Rise	SCFM	Temp Rise	SCFM	Temp Rise
FPG20N8C09	T1	40.0	25-55	300	50	260	N/A	210	N/A	170	N/A	120	N/A
	T2 ^H		25-55	370	40	330	45	280	53	240	N/A	190	N/A
	T3		25-55	450	33	410	36	360	41	320	46	270	54
	T4 ^C		25-55	360	41	320	46	270	55	230	N/A	180	N/A
FPG20N8C12	T1	40.0	25-55	300	50	260	N/A	210	N/A	170	N/A	120	N/A
	T2 ^H		25-55	370	40	330	45	280	53	240	N/A	190	N/A
	T3		25-55	530	28	490	30	440	33	400	37	360	41
	T4 ^C		25-55	460	32	420	35	370	40	330	45	280	52
FPG30N8C12	T1	45.0	30-60	410	55	370	59	320	N/A	290	N/A	240	N/A
	T2 ^H		30-60	520	43	490	46	430	51	400	56	350	N/A
	T3		30-60	620	36	590	38	540	41	500	44	460	48
	T4 ^C		30-60	460	49	420	52	370	N/A	340	N/A	290	N/A
FPG40N8C12	T1	45.0	30-60	410	N/A	370	N/A	320	N/A	290	N/A	240	N/A
	T2 ^H		30-60	620	48	590	50	540	55	500	59	460	N/A
	T3		30-60	650	46	620	48	560	53	530	56	490	N/A
	T4 ^C		30-60	460	N/A	420	N/A	370	N/A	340	N/A	290	N/A
FPG30N8C18	T1	45.0	30-60	490	45	470	48	410	54	380	59	330	N/A
	T2 ^H		30-60	560	39	540	42	480	47	440	50	400	56
	T3		30-60	640	35	610	36	550	40	520	43	470	47
	T4 ^C		30-60	680	33	650	34	600	37	560	39	510	43
	T5		30-60	750	30	720	31	660	34	630	35	580	38
FPG40N8C18	T1	45.0	30-60	530	56	510	58	450	N/A	410	N/A	370	N/A
	T2 ^H		30-60	620	48	610	49	550	54	510	58	460	N/A
	T3		30-60	840	35	820	36	760	39	720	41	680	44
	T4 ^C		30-60	690	43	670	44	610	48	580	51	530	56
	T5		30-60	740	40	730	41	670	44	630	47	580	51
FPG50N8C18	T1	45.0	30-60	650	57	610	61	560	N/A	530	N/A	480	N/A
	T2 ^H		30-60	730	50	700	53	650	57	610	60	560	N/A
	T3		30-60	920	40	880	42	830	44	800	46	750	50
	T4 ^C		30-60	680	54	650	57	600	62	560	N/A	510	N/A
	T5		30-60	750	50	710	52	660	56	630	59	580	64
FPG60N8C18	T1	50.0	35-65	580	N/A	560	N/A	490	N/A	450	N/A	410	N/A
	T2 ^H		35-65	880	50	860	52	790	56	750	59	710	63
	T3		35-65	1090	41	1070	41	1000	44	960	46	920	48
	T4 ^C		35-65	690	64	670	N/A	600	N/A	560	N/A	520	N/A
	T5		35-65	750	59	730	61	660	N/A	630	N/A	580	N/A

N/A - *Do not operate this unit at static ranges out side of the temperature rise range.

Airflow shown tested at 70° DB at dry coil conditions

^H denotes default heating tap

^C denotes default cooling tap

Fan Air Flow Performance (continued)

FPG AIRFLOW PERFORMANCE													
MODEL	Motor Speed	Mid Rise °F	Rise Range °F	IWC STATIC PRESSURE									
				0.1		0.2		0.3		0.4		0.5	
				SCFM	Temp Rise	SCFM	Temp Rise	SCFM	Temp Rise	SCFM	Temp Rise	SCFM	Temp Rise
FPG30N8C24	T1	45.0	30-60	490	45	470	48	410	54	380	59	330	N/A
	T2 ^H		30-60	560	39	540	42	480	47	440	50	400	56
	T3		30-60	640	35	610	36	550	40	520	43	470	47
	T4 ^C		30-60	770	29	740	30	690	32	650	34	600	37
	T5		30-60	940	24	910	24	850	26	820	27	770	29
FPG40N8C24	T1	45.0	30-60	530	56	510	58	450	N/A	410	N/A	370	N/A
	T2 ^H		30-60	620	48	610	49	550	54	510	58	460	N/A
	T3		30-60	840	35	820	36	760	39	720	41	680	44
	T4 ^C		30-60	790	37	780	38	720	41	680	44	630	47
	T5		30-60	920	32	910	33	850	35	810	36	770	39
FPG50N8C24	T1	50.0	35-65	650	57	610	61	560	N/A	530	N/A	480	N/A
	T2 ^H		35-65	730	50	700	53	650	57	610	60	560	N/A
	T3		35-65	920	40	880	42	830	44	800	46	750	50
	T4 ^C		35-65	790	47	760	49	710	52	670	55	620	59
	T5		35-65	930	40	890	41	840	44	810	46	760	49
FPG60N8C24	T1	50.0	35-65	650	N/A	630	N/A	560	N/A	520	N/A	480	N/A
	T2 ^H		35-65	880	50	860	52	790	56	750	59	710	63
	T3		35-65	1090	41	1070	41	1000	44	960	46	920	48
	T4 ^C		35-65	790	56	770	58	700	64	660	N/A	620	N/A
	T5		35-65	930	48	910	49	840	53	800	56	750	59
FPG40N8C30	T1	45.0	30-60	780	38	740	40	700	43	660	45	620	48
	T2 ^H		30-60	650	45	610	49	560	52	530	56	490	N/A
	T3		30-60	990	30	950	31	900	33	870	34	820	36
	T4 ^C		30-60	950	31	900	33	860	35	820	36	780	38
	T5		30-60	1030	29	990	30	940	31	900	33	860	34
FPG50N8C30	T1	50.0	35-65	770	48	740	50	690	54	650	57	600	62
	T2 ^H		35-65	730	50	700	53	650	57	610	60	560	N/A
	T3		35-65	970	38	940	40	890	42	850	44	800	46
	T4 ^C		35-65	940	39	910	41	860	43	820	45	780	48
	T5		35-65	1010	37	980	38	920	40	890	42	840	44
FPG60N8C30	T1	50.0	35-65	780	57	760	59	690	65	650	N/A	610	N/A
	T2 ^H		35-65	880	50	860	52	790	56	750	59	710	63
	T3		35-65	970	46	940	47	880	51	840	53	790	56
	T4 ^C		35-65	940	47	920	48	850	52	810	55	770	58
	T5		35-65	1000	44	980	45	910	49	870	51	830	54

N/A - *Do not operate this unit at static ranges out side of the temperature rise range.

Airflow shown tested at 70° DB at dry coil conditions

^H denotes default heating tap

^C denotes default cooling tap

Electrical and Performance Data

ELECTRICAL DATA											
MODEL NUMBER	VOLTAGE PH-HZ	COMPRESSOR		CONDENSOR MOTOR		INDOOR MOTOR		MIN. CIRCUIT AMPACITY	MAX. CIRCUIT PROTECTION	MIN. VOLTAGE	MAX. VOLTAGE
		RLA	LRA	FLA	HP	FLA	HP				
FPG20N8C09	208/230-1-60	4.7	26	1.9	1/5	2.3	1/4	11	15	187	253
FPG20N8C12	208/230-1-60	5.5	26	1.9	1/5	2.3	1/4	12	15	187	253
FPG30N8C12	208/230-1-60	5.5	26	1.9	1/5	2.3	1/4	12	15	187	253
FPG40N8C12	208/230-1-60	5.5	26	1.9	1/5	2.3	1/4	12	15	187	253
FPG30N8C18	208/230-1-60	7.2	38	2.8	1/3	2.8	1/3	15	20	187	253
FPG40N8C18	208/230-1-60	7.2	38	2.8	1/3	2.8	1/3	15	20	187	253
FPG50N8C18	208/230-1-60	7.2	38	2.8	1/3	4.1	1/2	16	20	187	253
FPG60N8C18	208/230-1-60	7.2	38	2.8	1/3	4.1	1/2	16	20	187	253
FPG30N8C24	208/230-1-60	10.7	55	2.8	1/3	2.8	1/3	19	30	187	253
FPG40N8C24	208/230-1-60	10.7	55	2.8	1/3	2.8	1/3	19	30	187	253
FPG50N8C24	208/230-1-60	10.7	55	2.8	1/3	4.1	1/2	21	30	187	253
FPG60N8C24	208/230-1-60	10.7	55	2.8	1/3	4.1	1/2	21	30	187	253
FPG40N8C30	208/230-1-60	14.1	55	2.8	1/3	4.1	1/2	25	35	187	253
FPG50N8C30	208/230-1-60	14.1	55	2.8	1/3	4.1	1/2	25	35	187	253
FPG60N8C30	208/230-1-60	14.1	55	2.8	1/3	4.1	1/2	25	35	187	253

FPG AHRI DATA									
MODEL	COOLING				HEATING				Outdoor Sound Rating (dba) ¹
	Btu/hr	SEER	S/T	CFM	Input Btu/hr	Output Btu/hr	AFUE	Temp. Rise Range °F	
FPG20N8C09	9500	12.5	0.78	350	20000	16000	80	25-55	69.8
FPG20N8C12	12000	13.0	0.75	460	20000	16000		25-55	69.8
FPG30N8C12					30000	24000		30-60	69.8
FPG40N8C12	17500	13.0	0.74	630	40000	32000		30-60	69.8
FPG30N8C18					30000	24000		30-60	69.8
FPG40N8C18					40000	32000		30-60	69.8
FPG50N8C18					50000	40000		35-65	69.8
FPG60N8C18	60000	48000	35-65	69.8					
FPG40N8C24	22200	13.0	0.82	740	40000	32000		30-60	69.8
FPG50N8C24					50000	40000		35-65	69.8
FPG60N8C24					60000	48000		35-65	69.8
FPG40N8C30	27000	12.0	0.75	940	40000	32000		30-60	69.8
FPG50N8C30					50000	40000		35-65	69.8
FPG60N8C30					60000	48000		35-65	69.8

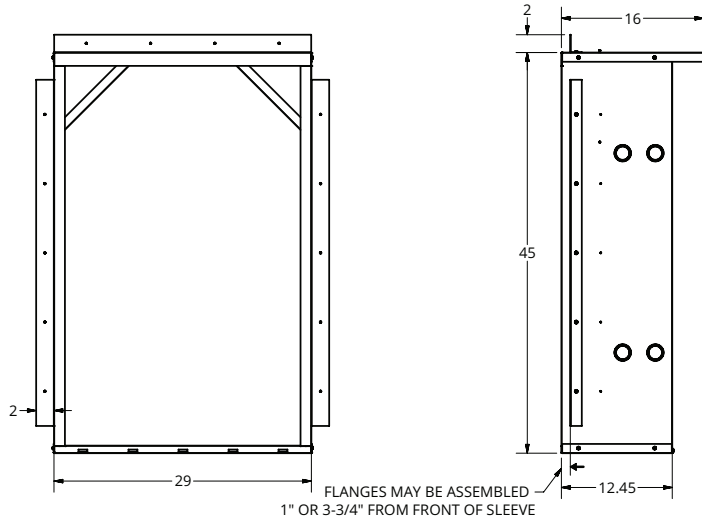
¹ tested in accordance with AHRI 260-2017

Extended Performance Data

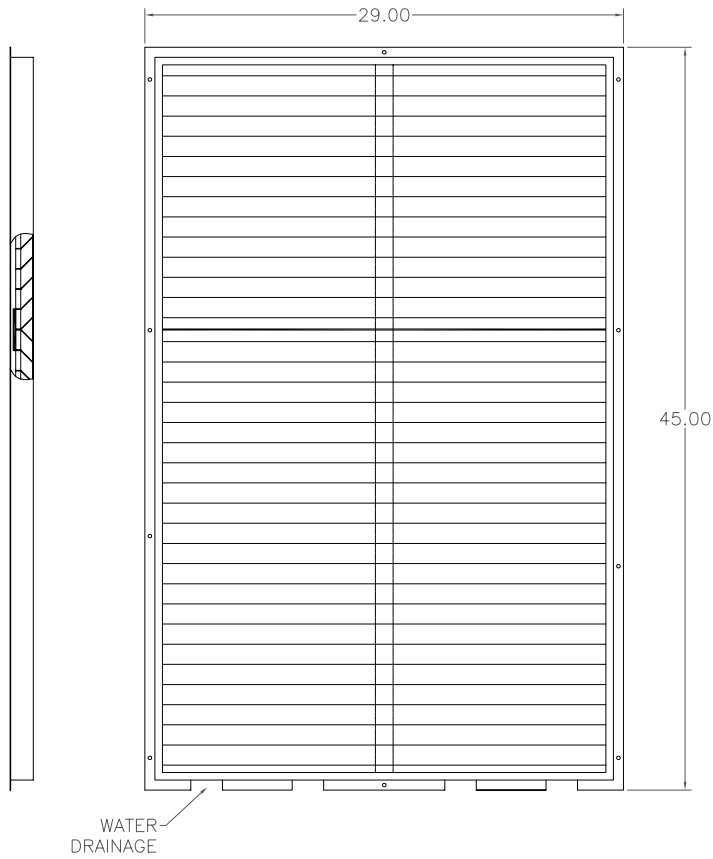
Model	Indoor Temp DB/WB	Outdoor Temperature °F														
		65.0			85.0			95.0			105.0			115.0		
		MBH	S/T	kW	MBH	S/T	kW	MBH	S/T	kW	MBH	S/T	kW	MBH	S/T	kW
FPG**N8C09	75/57	10.0	1.00	0.7	9.1	1.0	0.8	8.60	1.0	0.9	8.1	1.0	1.0	7.60	1.0	1.1
	75/63	10.8	0.75	0.7	9.6	0.8	0.8	9.10	0.8	0.9	8.4	0.8	1.0	7.80	0.8	1.1
	80/67	11.5	0.73	0.7	10.3	0.8	0.8	9.70	0.8	0.9	9.1	0.8	1.0	8.30	0.8	1.1
	85/72	12.5	0.67	0.7	11.2	0.7	0.8	10.50	0.7	0.9	9.9	0.7	1.0	10.00	1.0	1.1
FPG**N8C12	75/57	13.4	0.95	0.8	11.4	0.9	1.0	10.20	0.9	1.1	8.9	1.0	1.2	7.40	1.0	1.3
	75/63	14.0	0.77	0.8	11.8	0.8	1.0	10.50	0.8	1.1	9.1	0.9	1.2	7.50	0.9	1.3
	80/67	14.8	0.75	0.8	12.6	0.8	1.0	11.20	0.8	1.1	9.6	0.8	1.2	8.20	0.9	1.4
	85/72	15.9	0.70	0.9	13.5	0.7	1.1	12.00	0.7	1.2	10.6	0.8	1.3	8.40	0.7	1.4
FPG**N8C18	75/57	18.4	1.00	1.2	16.8	1.0	1.4	15.90	1.0	1.5	15.0	1.0	1.6	14.10	1.0	1.8
	75/63	19.6	0.77	1.3	17.6	0.8	1.4	16.50	0.8	1.5	15.4	0.8	1.6	14.00	0.8	1.8
	80/67	20.7	0.75	1.3	18.6	0.8	1.4	17.50	0.8	1.6	16.2	0.8	1.7	14.20	1.0	1.8
	85/72	22.2	0.69	1.3	20.0	0.7	1.5	19.00	0.8	1.6	17.3	0.7	1.7	15.60	0.7	1.8
FPG**N8C24	75/57	22.5	1.00	1.6	20.8	1.0	1.9	19.90	1.0	2.1	18.9	1.0	2.3	17.80	1.0	2.6
	75/63	24.3	0.76	1.6	22.2	0.8	1.9	21.00	0.8	2.1	19.9	0.8	2.3	18.60	0.8	2.6
	80/67	26.0	0.75	1.6	23.7	0.8	1.9	22.60	0.8	2.1	21.3	0.8	2.3	20.10	0.8	2.6
	85/72	28.1	0.68	1.6	25.7	0.7	1.9	24.40	0.7	2.1	23.2	0.7	2.4	21.90	0.7	2.6
FPG**N8C30	75/57	28.9	1.00	2.3	26.7	1.0	2.8	25.59	1.0	3.1	24.4	1.0	3.4	23.13	1.0	3.7
	75/63	31.3	0.76	2.4	28.6	0.8	2.8	27.25	0.8	3.1	25.8	0.8	3.4	23.99	0.8	3.7
	80/67	33.4	0.74	2.4	30.5	0.8	2.9	29.15	0.8	3.1	27.5	0.8	3.4	26.04	0.8	3.8
	85/72	36.1	0.68	2.4	33.0	0.7	2.9	31.33	0.7	3.2	29.8	0.7	3.5	28.18	0.7	3.8

IMPORTANT: These extended capacities are based on the rated values of the combination as input by the user. These are reference values only. This information does not constitute a rating or a guarantee that the installed system will perform as indicated.

Accessories Page



Part number 929-10 - First-Pak Sleeve. Ships unassembled in carton.



Part number G230A - First-Pak Architectural Louvered Grill. (Anodized Aluminum)
Part number G230S - First-Pak Architectural Louvered Grill. (Custom Color Painted)

Nomenclature

FP G 60 N8 C 18 A 2 000 F

SERIES

FP - First-Pak

HEAT TYPE

G - Gas Heat

HEAT CAPACITY

- 20 - 20,000 BTU/H
- 30 - 30,000 BTU/H
- 40 - 40,000 BTU/H
- 50 - 50,000 BTU/H
- 60 - 60,000 BTU/H

HEAT configuration

N8 - Natural Gas 80+%

UNIT TYPE

C - Cooling Only

COOLING CAPACITY / SIZE

- 09 - 9,000 BTU/H
- 12 - 12,000 BTU/H
- 18 - 18,000 BTU/H
- 24 - 24,000 BTU/H
- 30 - 30,000 BTU/H

REVISION

A-

VOLTAGE

2 - 208/230V 1PH

OPTIONS

000 - None

BRAND

F - First Co.

In keeping with its policy of continuous progress and product improvement, First Co. reserves the right to make changes without notice. Maintenance for all First Co. products is available under "Product Maintenance" at www.firstco.com.

WARNING AVERTISSEMENT ADVERTENCIA
 Cancer and Reproductive Harm
 Cancer et Troubles de l'appareil reproducteur
 Cáncer y Daño Reproductivo
www.P65Warnings.ca.gov LBY0057