



see what Delta can do™

KITCHEN FAUCETS

- Stryke™ Collection
- Single Handle Pull-Down

FEATURES:

- DIAMOND Seal® Technology
- Touch-Clean® Technology
- MagnaTite® Docking System
- Lumicoat™ Finish (metallic finishes only)

STANDARD SPECIFICATIONS:

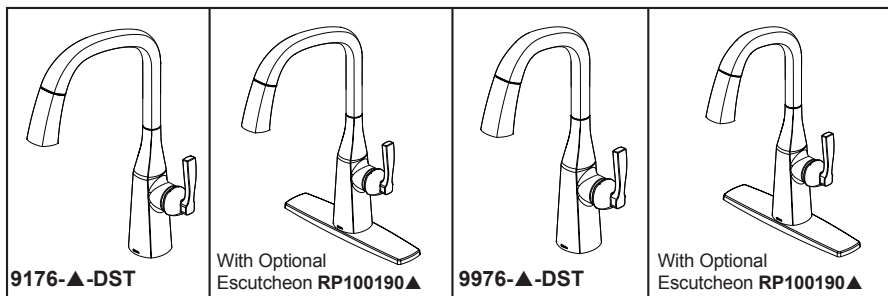
- Max flow rate 1.8 gpm @ 60 psi, 6.8 L/min @ 414 kPa
- One or three hole mount (8" escutcheon not included, order separately)
- Diamond coated ceramic cartridge
- 3/8" O.D. straight, staggered PEX supply lines
- Spout rotates 360°
- Hot/cold indicator markings
- Dual integral check valves in sprayer assembly
- Two-function wand; Aerated stream or spray

WARRANTY

- Parts and Finish - Lifetime limited warranty; or for commercial purchasers, 10 years for multi-family residential (apartments and condominiums) and 5 years for all other commercial uses, in each case from the date of purchase.
- Electronic Parts and Batteries (if applicable) - 5 years from the date of purchase; or for commercial purchasers, 1 year from the date of purchase. No warranty is provided on batteries.

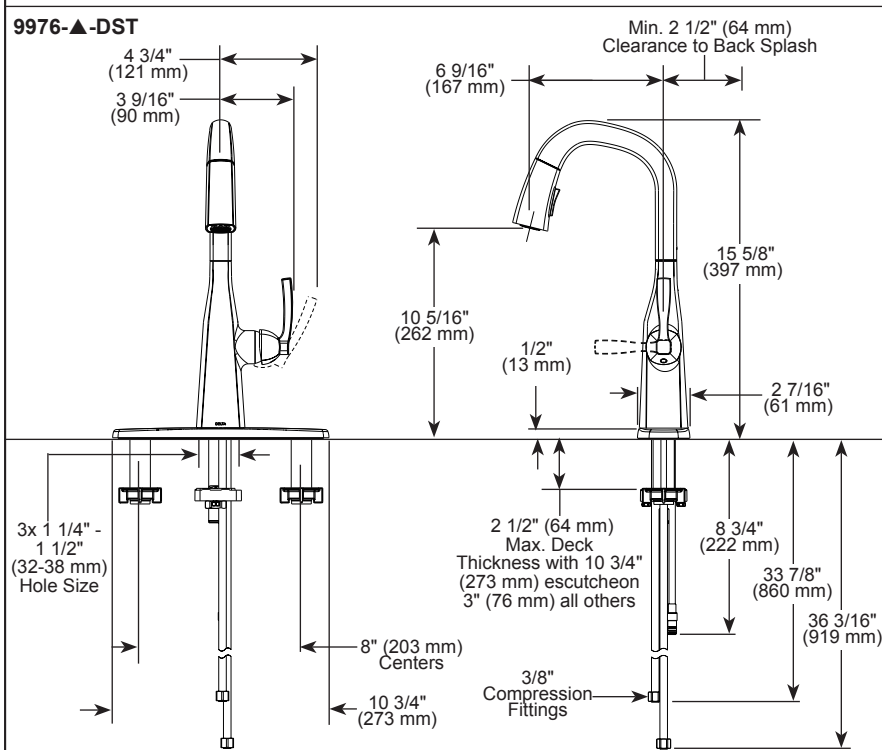
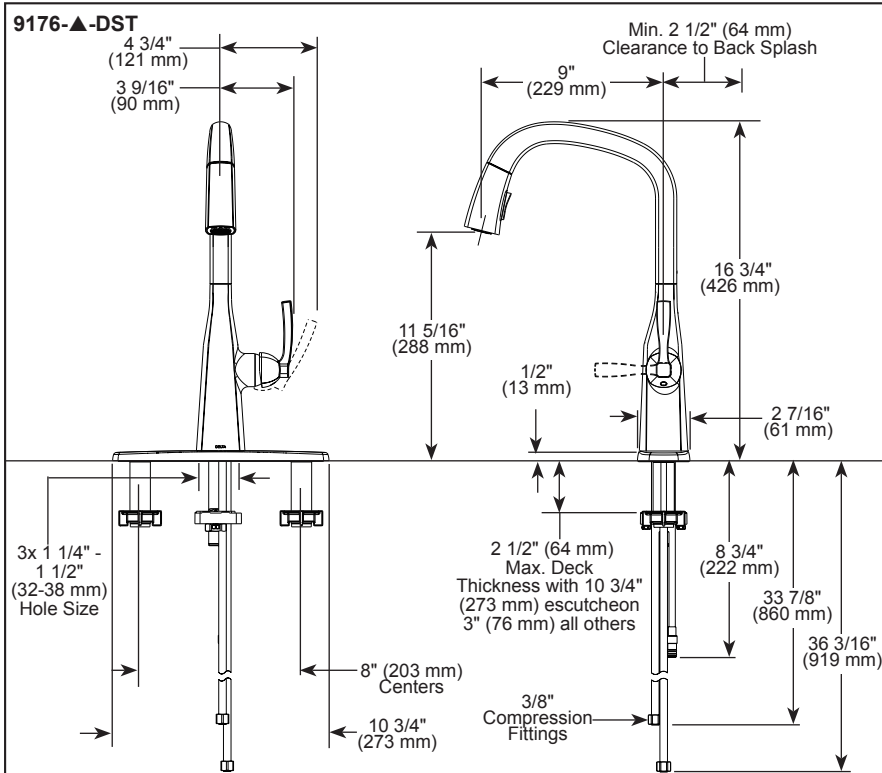
COMPLIES WITH:

- ASME A112.18.1 / CSA B125.1
- ASME A112.18.6
- ☒ Indicates compliance to ICC/ANSI A117.1



Submitted Model No.: _____

Specific Features: _____



▲ Designate proper finish suffix

Delta reserves the right (1) to make changes in specifications and materials, and (2) to change or discontinue models, both without notice or obligation. Dimensions are for reference only. See current full-line price book or www.deltafaucet.com for finish options and product availability.

DSP-K-9176-DST Rev. B

Delta Faucet Company
55 E. 111th Street, Indianapolis, IN 46280
350 South Edgeware Road, St. Thomas, ON N5P 4L1
© 2020 Delta Faucet Company