

Location: _____



MI-CONTROL

WATER HEATER SHUTOFF THERMAL EXPANSION CONTROL VALVE

Specification: The BEECO MI-CONTROL is designed to be used where a water heater shut-off and thermal expansion relief valve are needed in combination to provide protection for your plumbing system against thermal expansion.

Function: Water heater shutoff/thermal expansion control valve is manufactured to control thermal expansion in a closed plumbing system and also for residential water heater applications where a water heater shut-off and thermal expansion relief valve are combined to provide protection from thermal expansion. The MI-CONTROL will provide thermal expansion relief at a pressure of 5 psi or more below the set pressure of the primary thermal expansion relief valve.

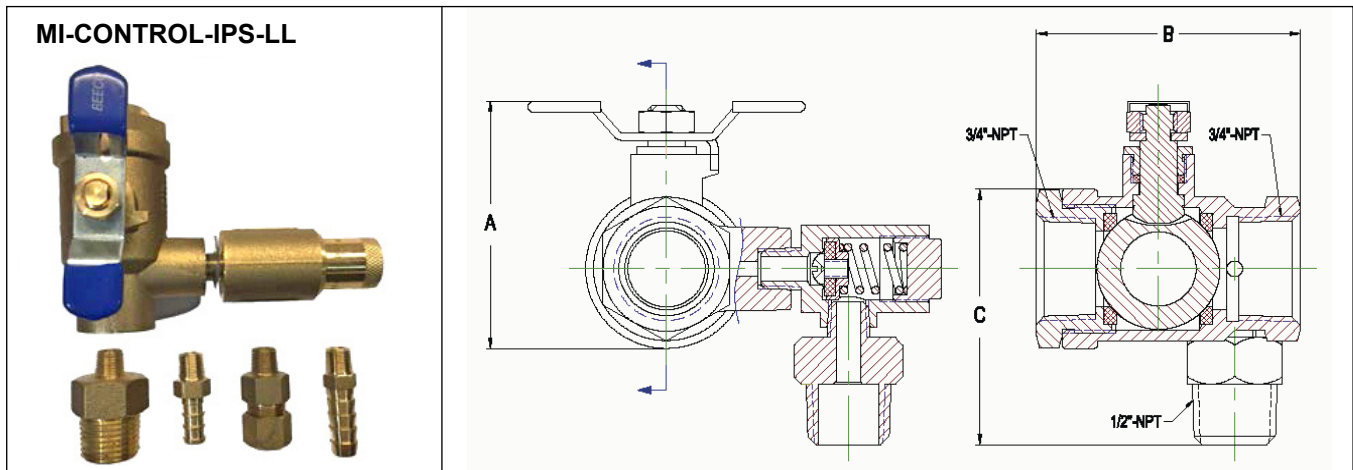
Features: Compact design with a quick quarter turn shut off valve. Made of brass body and a chrome plated ball for longer life the device is ASSE approved and IAPMO listed. Comes with four different discharge connections (1/2" NPT, 1/4" PEX, 3/8" PEX, 3/8" compression).

Ratings: The MI-CONTROL-LL Valve is made of a bronze body engineered to withstand incoming water pressure of up to 600 psi, and withstand temperatures up to 180°F (82° C).

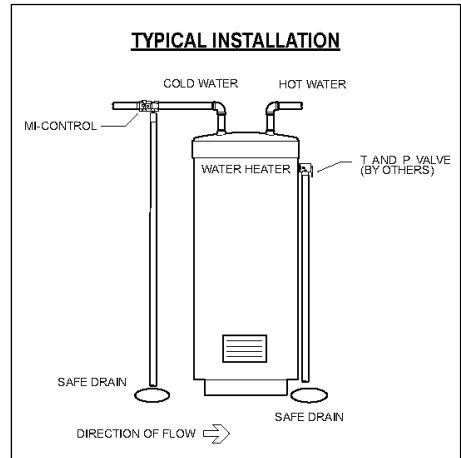
Pressure – Temperature Data:

Temperature Rating: 180 degrees F (82 Degrees C). Factory set at 145 psi with adjustable pressure setting from 80 psi to 150 psi

The wetted surface contacted by consumable water contains less than one quarter of one percent (0.25%) of lead by weight.



MODEL NUMBER	DESCRIPTION	MASTER CARTON QTY	MASTER CARTON WT.	DIMENSIONS		
				A	B	C
MI-CONTROL	3/4" F.I.P. X 3/4" F.I.P.	20	21 LBS.	2 1/2"	2.70"	3.40"
MI-CONTROL-LL	3/4" F.I.P. X 3/4" F.I.P.	20	21 LBS.	2 1/2"	2.70"	3.40"
MI-CONTROL-LL-CP	3/4" F.I.P. X 3/4" F.I.P.	20	21 LBS.	2 1/2"	2.70"	3.40"
MI-CONTROL-NPT-LL	3/4" F.I.P. X 3/4" F.I.P.	20	25 LBS.	2 1/2"	2.70"	3.40"
MI-CONTROL-PEX-LL	3/4" PEX X 3/4" PEX	20	25 LBS.	2 1/2"	4.0"	3.40"
MI-CONTROL-SWT-LL	3/4" SWT X 3/4" SWT	20	25 LBS.	2 1/2"	3.0"	3.40"



COMPONENTS OF CONTROL VALVES:

- Body: Cast Brass
- Cap: Road Brass
- Fitting: Rod Brass
- Seat Washer: Silicone Rubber
- Spring: Stainless Steel
- Screw: Brass
- Check: Road Brass

COMPONENTS OF BALL VALVES:

- Body: Cast Bronze
- Lever: Steel
- Grip: Plastic
- Hex Nut: Carbon Steel
- Stem Bearing: RTFE
- Stem: Rod Brass
- Retainer: Rod Brass
- Ball: Rod Brass
- Stem Packing: RTFE
- Seat: RTFE
- Gland: Rod Brass



Approvals:

Valve is tested, certified and listed to the I.A.P.M.O. I.G.C. 128-2006a

CALIFORNIA PROPOSITION 65 WARNING: This product contains chemicals known to the State of California to cause cancer and birth defects or other reproductive harm.

Job Name: _____ Page No: _____

Section No: _____ Contractor: _____

Schedule No: _____ Purchase Order No: _____