

TECHNICAL DATA SHEET

MODEL NO.	AMPS	HP	kW	NET WT.		VOLT	FREQ.
				lbs.	kg		
120R-200T	10/8	2	1.5	128	58	208-240	60/50

NOTES:

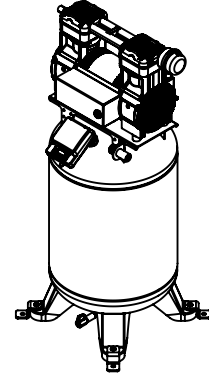
1. PRESSURE SWITCH SET TO CUT-IN AT 75 PSI & CUT-OUT AT 125 PSI.
2. PRODUCT PERFORMANCE MAY VARY $\pm 10\%$ IN STANDARD PRODUCTION.
3. TECHNICAL DATA SUBJECT TO CHANGE WITHOUT NOTICE.
4. ALL DIMENSIONS ARE FOR REFERENCE ONLY.
5. FOR INDOOR USE ONLY
6. PRESSURE SWITCH SETTINGS ADJUSTABLE UP TO 125 PSI.

SOUND LEVEL 83 dB(A) /1m

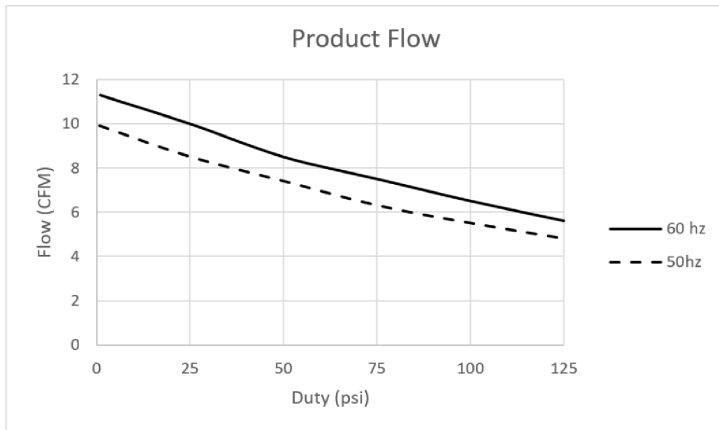
NORMAL AMBIENT 5-40 °C / 40-104 °F

RELATIVE HUMIDITY 20-80% NON CONDENSING

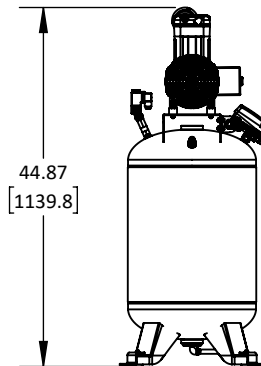
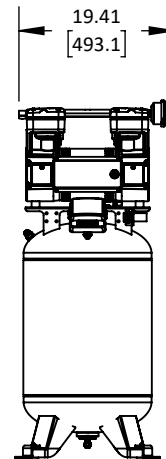
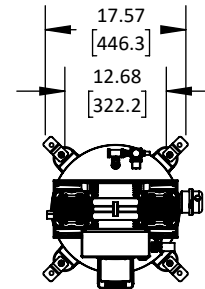
ENVIRONMENT CLEAN / DUST FREE



PRODUCT PERFORMANCE:



PRODUCT DIMENSIONS:



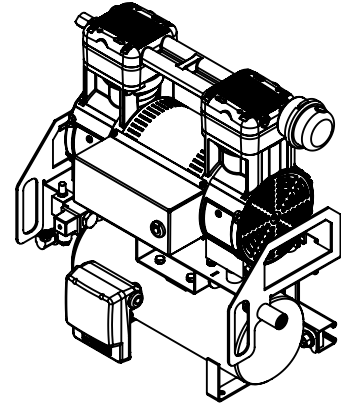
Pressure (psi)	60 Hz 30 Minute Charge Capacity (gallons)	50 Hz 30 Minute Charge Capacity (gallons)
8	5189	4579
10	4216	3626
12	3476	2992
14	2957	2558
16	2565	2219
18	2259	1947
20	2010	1728
22	1823	1558
24	1668	1428
26	1520	1299
28	1402	1197
30	1299	1111
32	1212	1035
34	1126	966
36	1063	907
38	992	854
40	940	804

TECHNICAL DATA SHEET

MODEL NO.	AMPS	HP	kW	NET WT.		VOLT	FREQ.
				lbs.	kg		
120R-200S	10/8	2	1.5	94	43	208-240	60/50

NOTES:

1. PRESSURE SWITCH SET TO CUT-IN AT 50 PSI & CUT-OUT AT 125 PSI.
2. PRODUCT PERFORMANCE MAY VARY $\pm 10\%$ IN STANDARD PRODUCTION.
3. TECHNICAL DATA SUBJECT TO CHANGE WITHOUT NOTICE.
4. ALL DIMENSIONS ARE FOR REFERENCE ONLY.
5. FOR INDOOR USE ONLY
6. PRESSURE SWITCH SETTINGS ADJUSTABLE UP TO 125 PSI.



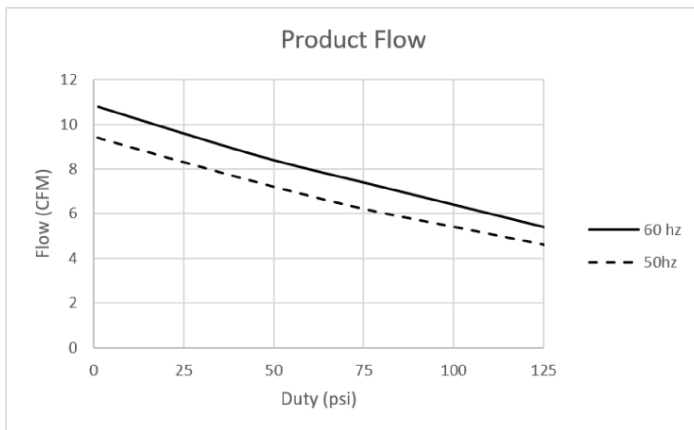
SOUND LEVEL 83 dB(A) / 1m

NORMAL AMBIENT 5-40°C / 40-104°F

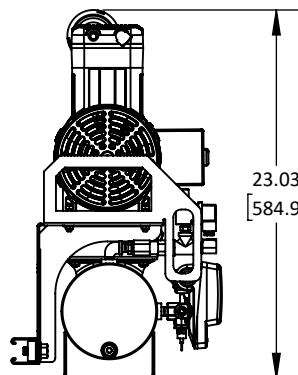
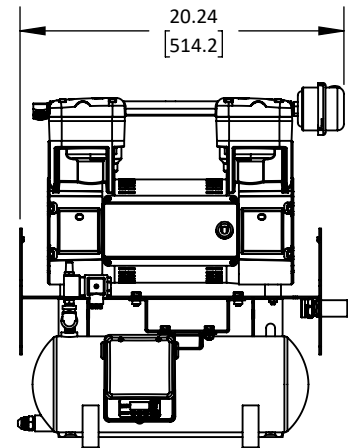
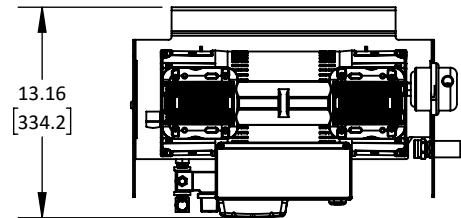
RELATIVE HUMIDITY 20-80% NON CONDENSING

ENVIRONMENT CLEAN / DUST FREE

PRODUCT PERFORMANCE:



PRODUCT DIMENSIONS:



Pressure (psi)	60 hz 30 Minute Charge Capacity (gallons)	50 hz 30 Minute Charge Capacity (gallons)
8	4976	4354
10	3936	3483
12	3286	2902
14	2831	2443
16	2461	2123
18	2176	1882
20	1950	1681
22	1762	1516
24	1600	1378
26	1471	1272
28	1359	1169
30	1258	1090
32	1173	1017
34	1099	949
36	1035	888
38	971	836
40	921	792