

HDS07 SERIES

HINGE PIN DOORSTOP



Available
Finishes:



US15
Satin Nickel



Champagne
Brass

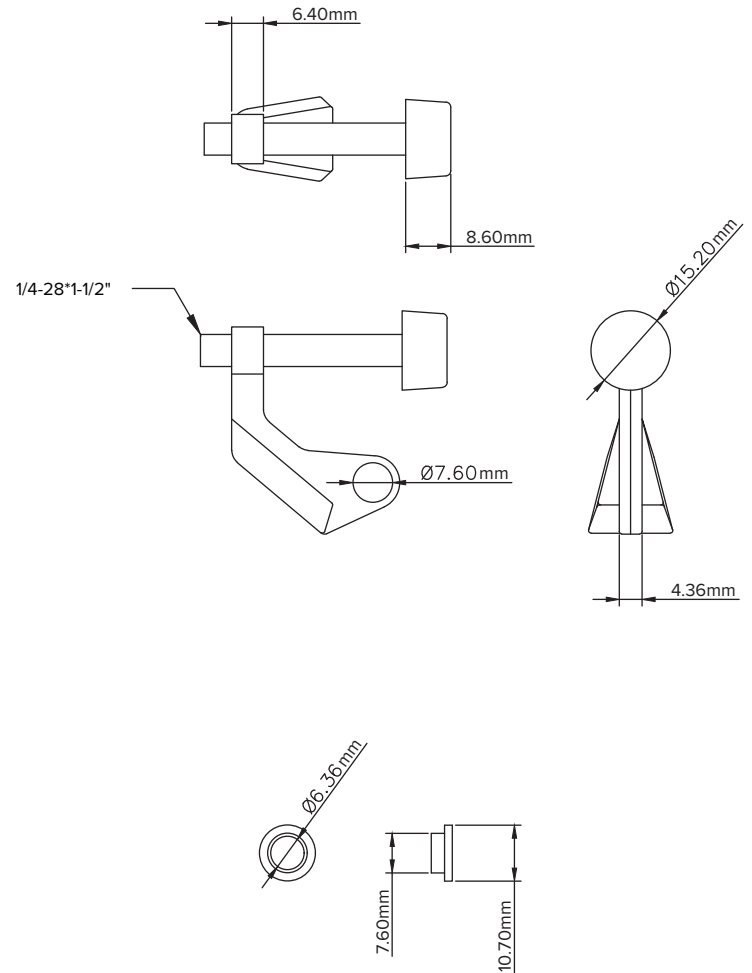


Matte
Black

FEATURES:

- **Mounting** – Top door hinge
- **Adjustable open point**
- **Protects wall from damage**
- **No contact point on door prevents damage**
- **Use for** – Interior and exterior doors
- **Bushing for interior door pins** – Included
- **Material** – Steel, zinc and plastic

Part #	Finish
HDS07US15	Satin Nickel
HDS07CB	Champagne Brass
HDS07US19	Matte Black



WARRANTY:

- One-Year Mechanical and Finish