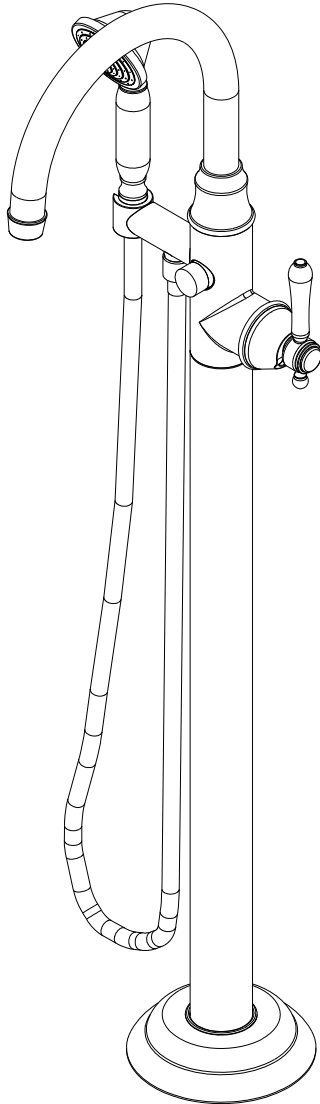


NOTES:

(N1) 1. TO INSPECT ASSEMBLY, FOLLOW FIRST ARTICLE AND IN PROCESS INSPECTION SHEET.



**BILL OF MATERIAL (CURRENT LEVEL)**

ITEM	PT/ASSY	DESCRIPTION	TYPE	QTY.
1	12187	BODY	PART	1
2	12189	ADAPTER	PART	1
3	91017	O-RING, #2- 012, EPDM, 65-75 DURO, NSF 61	PART	1
4	12175	HAND SHWR HOLDER	PART	1
5	92821	SCREW	PART	1
6	20-259	DIVERTER ASM	ASSEMBLY	1
7	1-292	CARTRIDGE	ASSEMBLY	1
8	92308	SCRW, M5 X 5 SKT HD CUP PT SS	PART	1
9	12184	WATER SUPPLY HOSE	ASSEMBLY	2
10	20-310	BODY ASM	ASSEMBLY	1
11	284	SHOWER HOSE	PART	1
12	20-260	DIVERTER ASM	ASSEMBLY	1
13	12191	DIVERTER BUTTON	PART	1
14	92070	SCRW, #14 X 2 SLT FLT HD SS	PART	3
15	91368	WALL ANCHOR PLASTIC, 12-1/4	PART	3
16	13220	CARTRIDGE RETAINER	PART	1
17	91227		PART	1
18	91255	O-RING, #2- 011, EPDM, 65-75 DURO, NSF-61	PART	1
19	13221	HANDLE BASE	PART	1
20	92035	SCRW, M4 X .7 X 10 PHL FLT HD SS	PART	1
21	20-190	CAP ASM	ASSEMBLY	1
22	13222	BASE RING	PART	1
23	91630	GROMMET	PART	1
24	3-733	SPOUT ASSY	ASSEMBLY	1
25	13240	HANDLE HUB	PART	1
26	283-201	HANDSHOWER ASM	ASSEMBLY	1
27	12465	HANDLE LEVER	PART	1
28	10851	HANDLE FINIAL	PART	1
29	10159	HEX KEY, 3/32 ALLOY STEEL	PART	1
30	91649	AERATOR KEY	PART	1
31	12257	1/2 X 3/4 NPSM THD ADAPTER	PART	2
32	98044	LABEL - HOT	PART	1
33	98155	WARNING LABEL	PART	1

ZONE	REV	DESCRIPTION	DATE	APPROVED
-	C	EN-4522	06/15/22	R. S.
-	B	EN-4327	03/30/21	V. V.
-	A	EN-4287	11/10/20	C. G.
-	-	EN-3855	07/09/19	C. G.

COPYRIGHT 2005 BRASSTECH, INC. THESE DRAWINGS AND THE DESIGNS DEPICTED HEREIN ARE THE PROPRIETARY PROPERTY OF BRASSTECH. ANY USE OR REPRODUCTION IS SUBJECT TO THE EXPRESS APPROVAL OF BRASSTECH. UNAUTHORIZED USE IS STRICTLY PROHIBITED. ALL RIGHTS RESERVED.

TESTING	-	-	-
ASSEMBLY	-	-	-
PLATING	-		
POLISHING	-	NEXT ASSY	USED ON
MACHINING	-	APPLICATION	
TOOLING FIXTURE #		REMOVE ALL BURRS AND SHARP EDGES	

UNITS ARE: INCHES [MM]	
TOLERANCES ARE:	
FRACTIONS	DECIMALS
±1/16"	±.005
.X ±.1 [2.5]	° ±1°
.XX ±.06 [1.5]	
(X.XXX) DENOTES CRITICAL DIMS. ALL THREADS ARE CRITICAL	
DRAWN	C. GAYOSSO 07/09/19
CHECKED	C. GAYOSSO 07/09/19
APPROVED	C. GAYOSSO 07/09/19

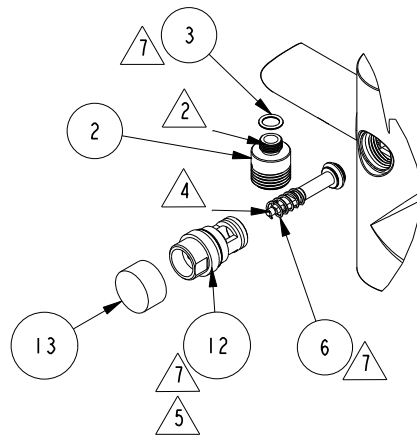
**BRASSTECH** 2001 CARNEGIE AVE. SANTA ANA, CA 92705 (949) 417-5207  
INCORPORATED

**TUB FILLER, FREE STANDING**

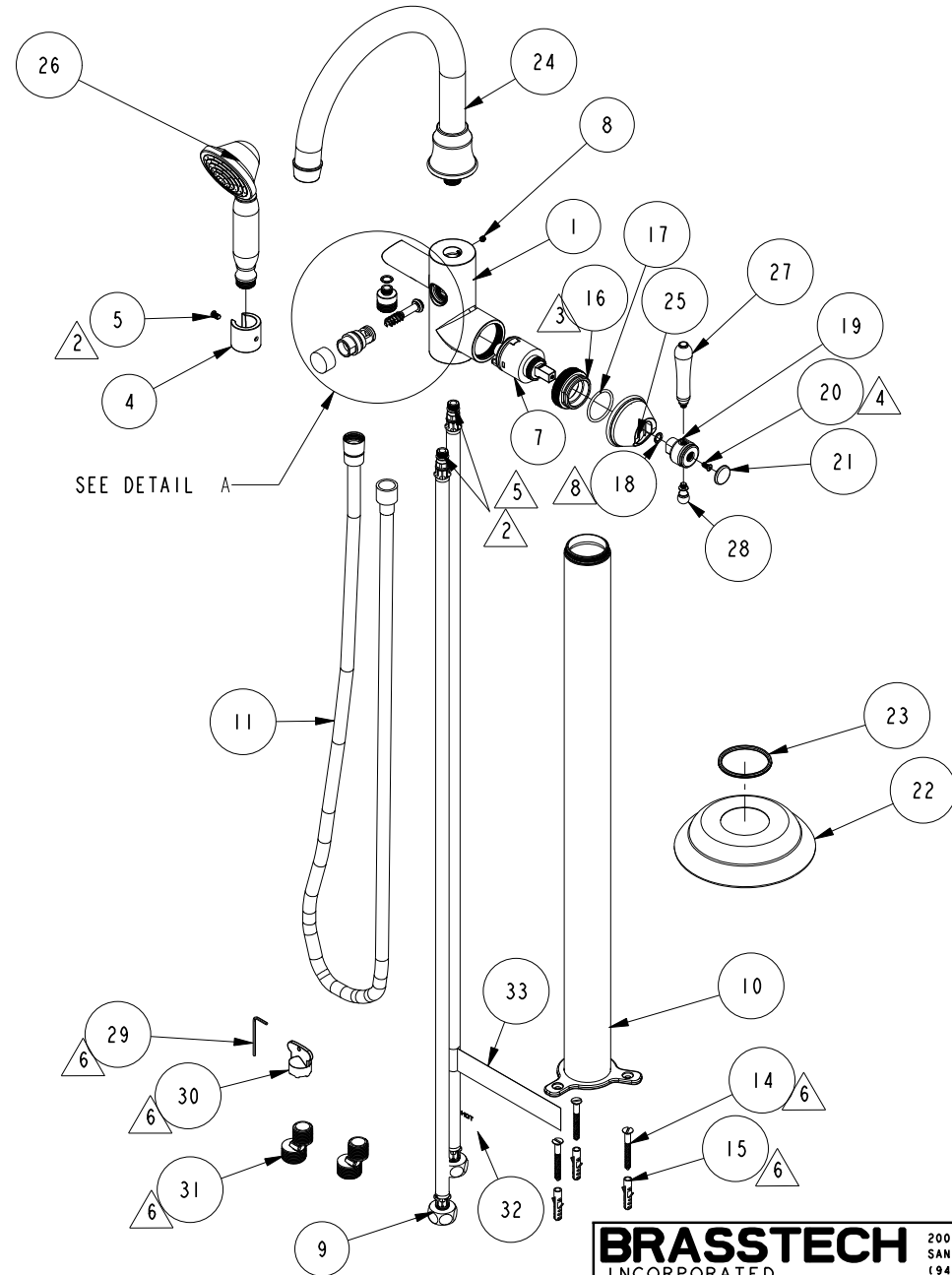
DWG NO.	930-4261	REV	C
SCALE	0.165	REF.	
SHEET	1	OF	4

NOTES:

- ▲2 APPLY LOCTITE 680.
- ▲3 TORQUE TO 7.5-8.5 LB-FT.
- ▲4 APPLY LOCTITE 242 IF SCREW DOES NOT HAVE A NYLON PATCH.
- ▲5 TORQUE TO 18-20 LB-IN.
- ▲6 PLACE THESE ITEMS IN SEPERATE PLASTIC BAGS.
- ▲7 APPLY THIN COAT OF SILICONE GREASE.
- ▲8 INSERT O-RING INSIDE HANDLE BASE (ITEM 19)

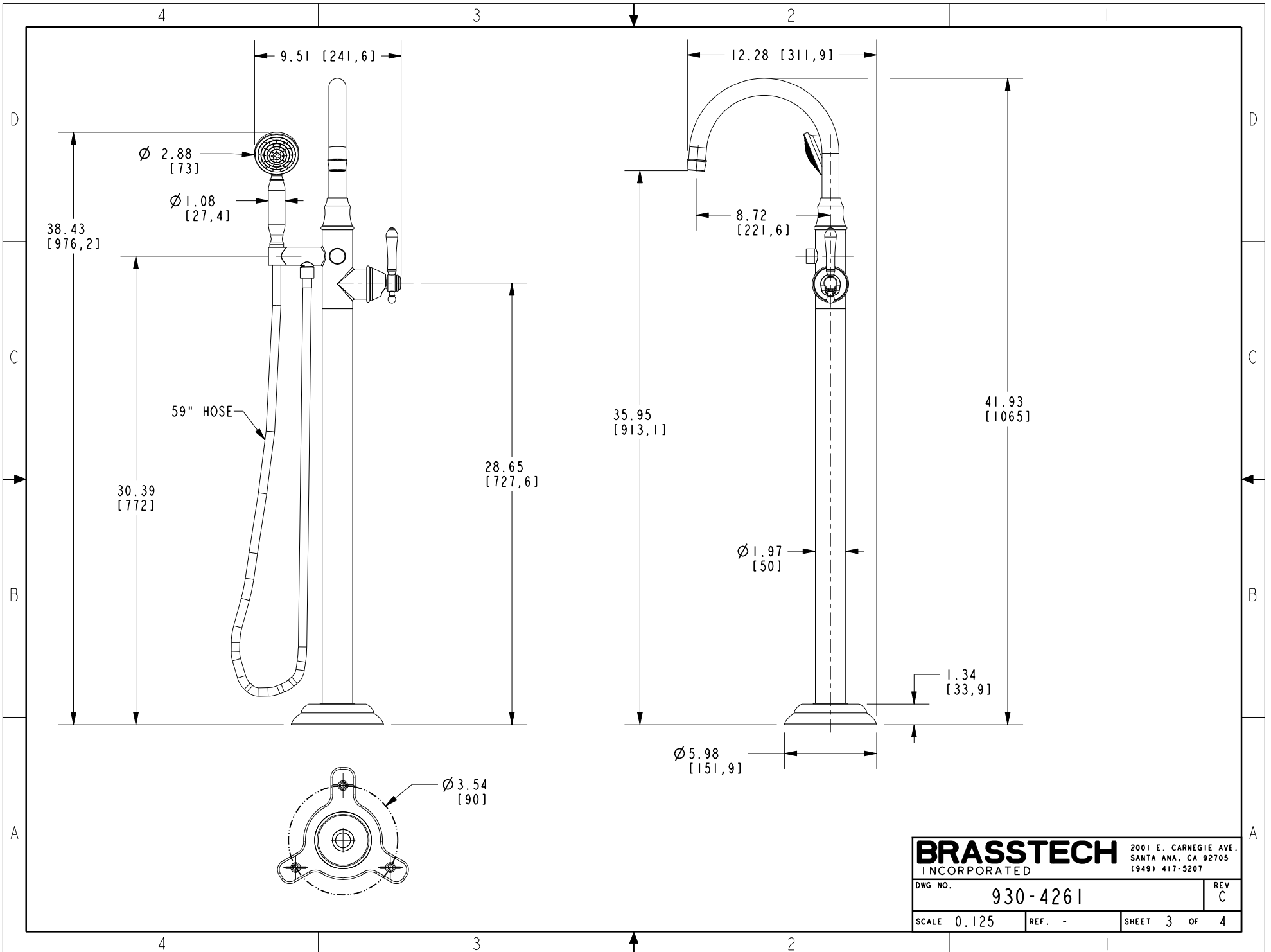


DETAIL A  
SCALE 0.250



SEE DETAIL A

<b>BRASSTECH</b>		2001 E. CARNEGIE AVE. SANTA ANA, CA 92705 (949) 417-5207	
DWG NO.	930-4261	REV	C
SCALE	0.125	REF.	-
		SHEET	2 OF 4

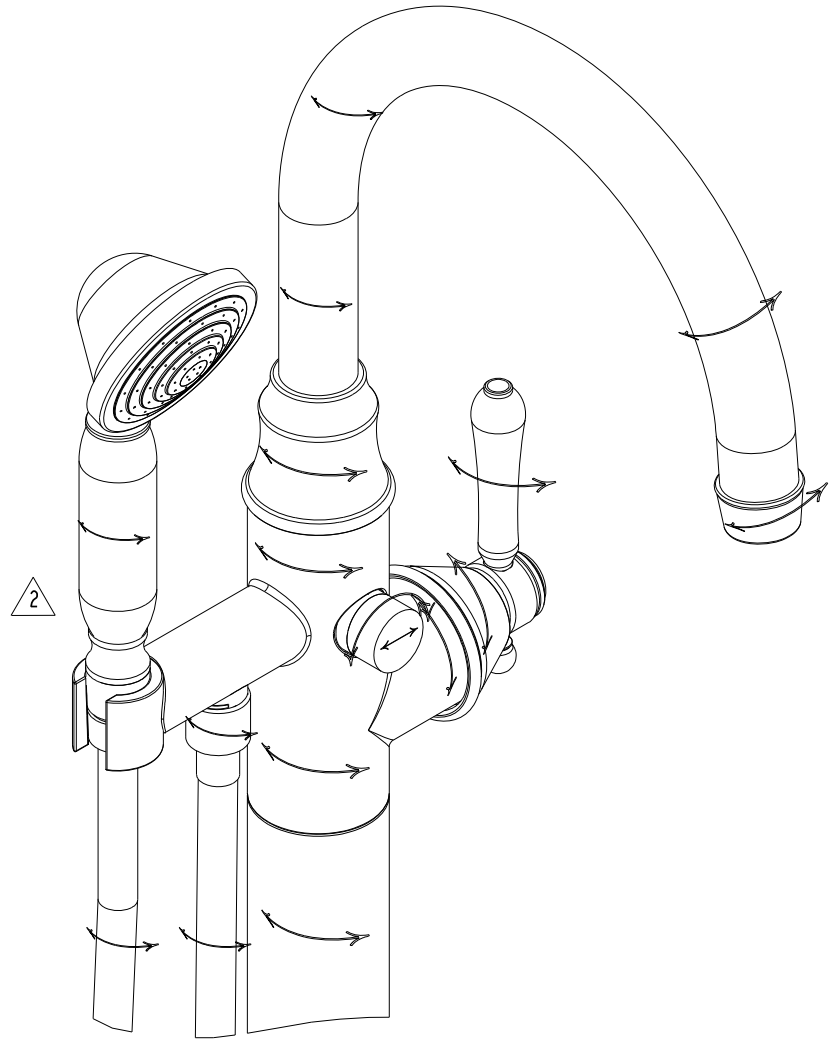
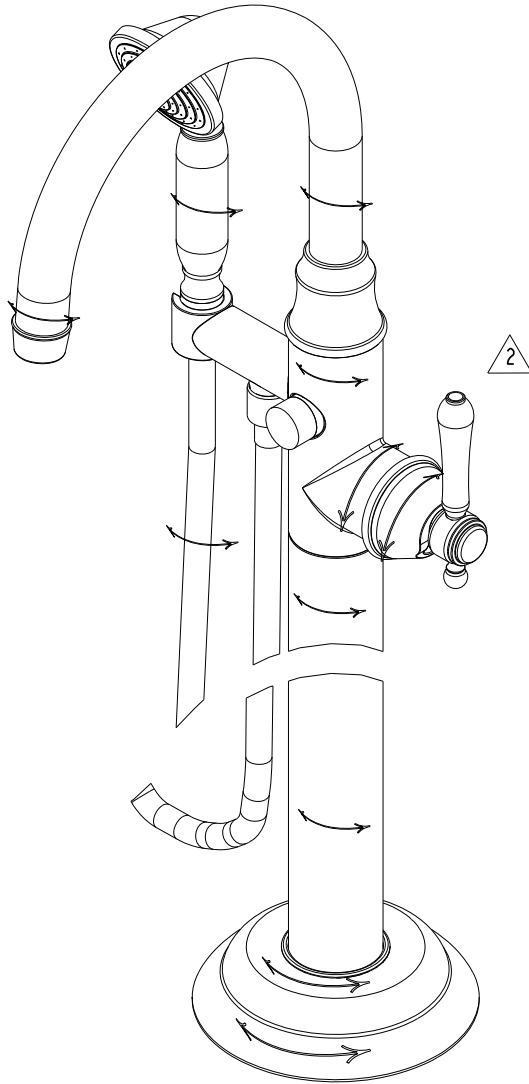


<b>BRASSTECH</b>		2001 E. CARNEGIE AVE. SANTA ANA, CA 92705 (949) 417-5207	
DWG NO.	930-4261	REV	C
SCALE	0.125	REF.	-
SHEET 3		OF 4	

NOTES:

1.  $\longleftrightarrow$  INDICATES STROKE DIRECTION FOR SATIN FINISHES ONLY.

2.  $\triangle$  SAND BLAST THIS SURFACE.



SCALE 0.375

<b>BRASSTECH</b>		2001 E. CARNEGIE AVE. SANTA ANA, CA 92705 (949) 417-5207	
DWG NO.	930-4261	REV	C
SCALE	0.250	REF.	-
SHEET 4		OF 4	