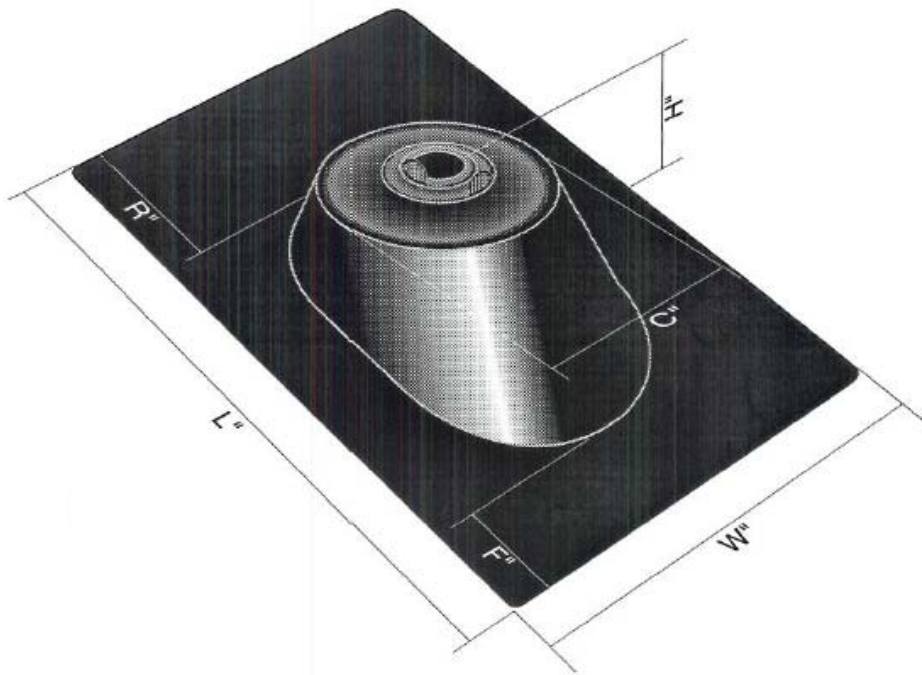


SPECIFICATION

Furnish and install all flexible roof flashing with standard elastomer collar. Unit shall be Water-Tite item number checked below as manufactured by IPS Corporation, as per corresponding dimensional characteristics, or equivalent. **(Do not use Petroleum based mastics, sealing compounds, or paints on collar portion of all flashings, on all hardbase, flexible, or rain collars.)**



QTY	Product Code	Model	Vent Size	Dim. W	Dim. L	Dim. R	Dim. F	Dim. C	Dim. H
	81800	FB1	1 1/4" or 1 1/2"	9"	11 3/8"	2 7/8"	2 3/8"	3 1/4"	2 1/2"
	81805	FB2	2"	9"	11 3/8"	2 7/8"	2 3/8"	3 1/4"	2 1/2"
	81810	FB3	3"	10"	13 1/4"	4 1/4"	2 1/2"	4 1/4"	2 1/2"
	81815	FB4	4"	12"	14 3/4"	4 1/4"	2 3/8"	5"	2 3/4"
	89060	FB420	4"	20"	20"	5 3/4"	5 5/8"	5"	2 3/4"