

# 33" WENBROOK

FIRECLAY FARMHOUSE KITCHEN SINK - CURVED APRON

SKU: 953521



## FEATURES

- Number of Basins: 1
- Drain: Optional
- Faucet: Not Included
- Exterior Treatment: Smooth
- Interior Treatment: Smooth
- Sink Installation: Farmhouse
- Made of Solid, Heavy-Duty Fireclay
- Smooth, Ripple-Resistant Surface
- If purchasing drain separately, it must be able to accommodate a sink drain thickness of 1"

## CONTENTS

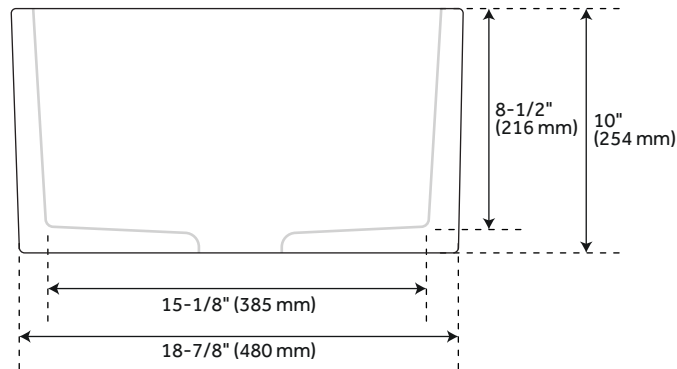
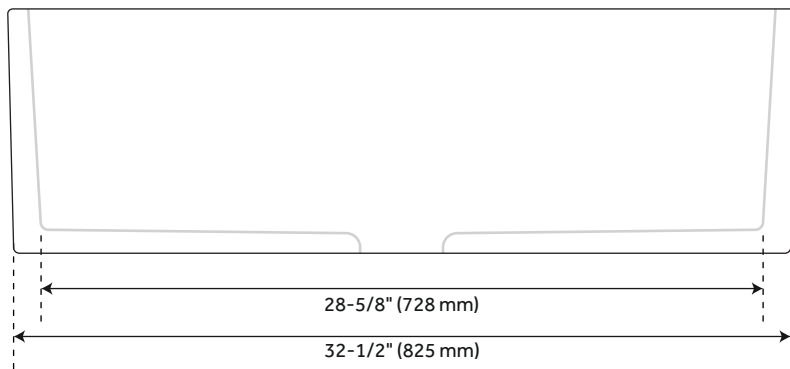
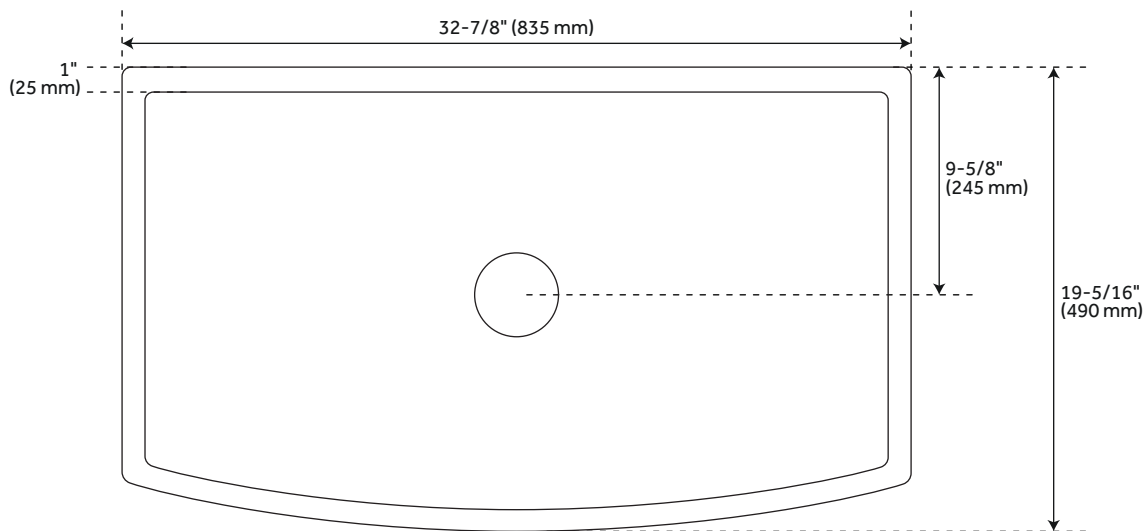
SINK ..... PAGE 2

REVISED 11/10/2021

# 33" WENBROOK

## FIRECLAY FARMHOUSE KITCHEN SINK - CURVED APRON

SKU: 953521



### FEATURES

- Length: 32-7/8"
- Width: 19-5/16"
- Height: 10"
- Basin Length: 28-5/8"
- Basin Width: 15-1/8"
- Fits Drain Hole Size: 3-1/2"

### CODES/STANDARDS

ASME A112.19.2/CSA B45.1

### PRODUCT IMAGE



All dimensions and specifications are nominal and may vary. Use actual products for accuracy in critical situations.

PAGE 2