



Polyethylene Valve Enclosure

PART NUMBER

ADVANTAGE SERIES

Features: Lightweight two-piece (Base & Cover) design allows easy, 360° access to the valve

Top cover locks to the base with an automatic internal latch

An integrated padlock tab can be used for added security

Engineered for low-maintenance & graffiti resistant performance

Size: Available in 3 standard sizes.

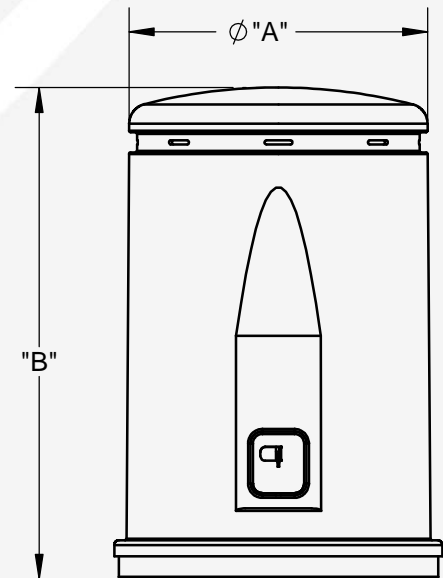
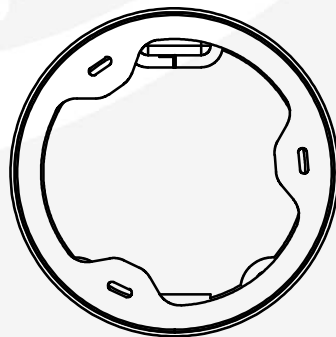
Material: Manufactured from low density polyethylene with U.V. inhibitors for maximum life

Finish: Available in 7 aesthetically pleasing colors for commercial or residential settings:

- Blue
- Green
- Purple
- Tan
- Yellow
- Granite Mix
- Sandstone Mix



Polyethylene Valve Enclosure		
Part No.	"A"	"B"
VCAS-1424	14"	24"
VCAS-1830	18"	30"
VCAS-2436	24"	36"



DIMENSIONS ARE IN INCHES | DO NOT SCALE DRAWING | DRW: OSBORNE | REV. A