

HydroTap Cube CS Tap

Product Spec Sheet



HydroTap Cube Chilled/Sparkling (CS) Tap

Elevate your home hydration with the HydroTap Cube CS Tap and enjoy instant access to filtered chilled and sparkling water from the tap.

The HydroTap Cube offers a contemporary twist on a classic with its angular square shape which is softened by its rounded corners.

This tap style can be installed over the sink as a secondary tap or over our optional design range front/drip tray. The HydroTap Cube tap is available in seven different finishes from a classic chrome to a modern gunmetal.

HydroTap Cube CS Tap - Available Finishes



Chrome



Brushed
Chrome



Matte
Black



Brushed
Gold



Nickel



Brushed
Nickel



Gunmetal

Product Order Codes for HydroTap Cube CS Taps

HydroTap Cube CS Tap in Chrome	01034252
HydroTap Cube CS Tap in Brushed Chrome	01034253
HydroTap Cube CS Tap in Matte Black	01034254
HydroTap Cube CS Tap in Brushed Gold	01034256
HydroTap Cube CS Tap in Nickel	01034257
HydroTap Cube CS Tap in Brushed Nickel	01034258
HydroTap Cube CS Tap in Gunmetal	01041868

Please see individual product spec sheets for command center and accessory product specs and order codes.

HydroTap Cube CS Tap

Product Spec Sheet



Installation Requirements

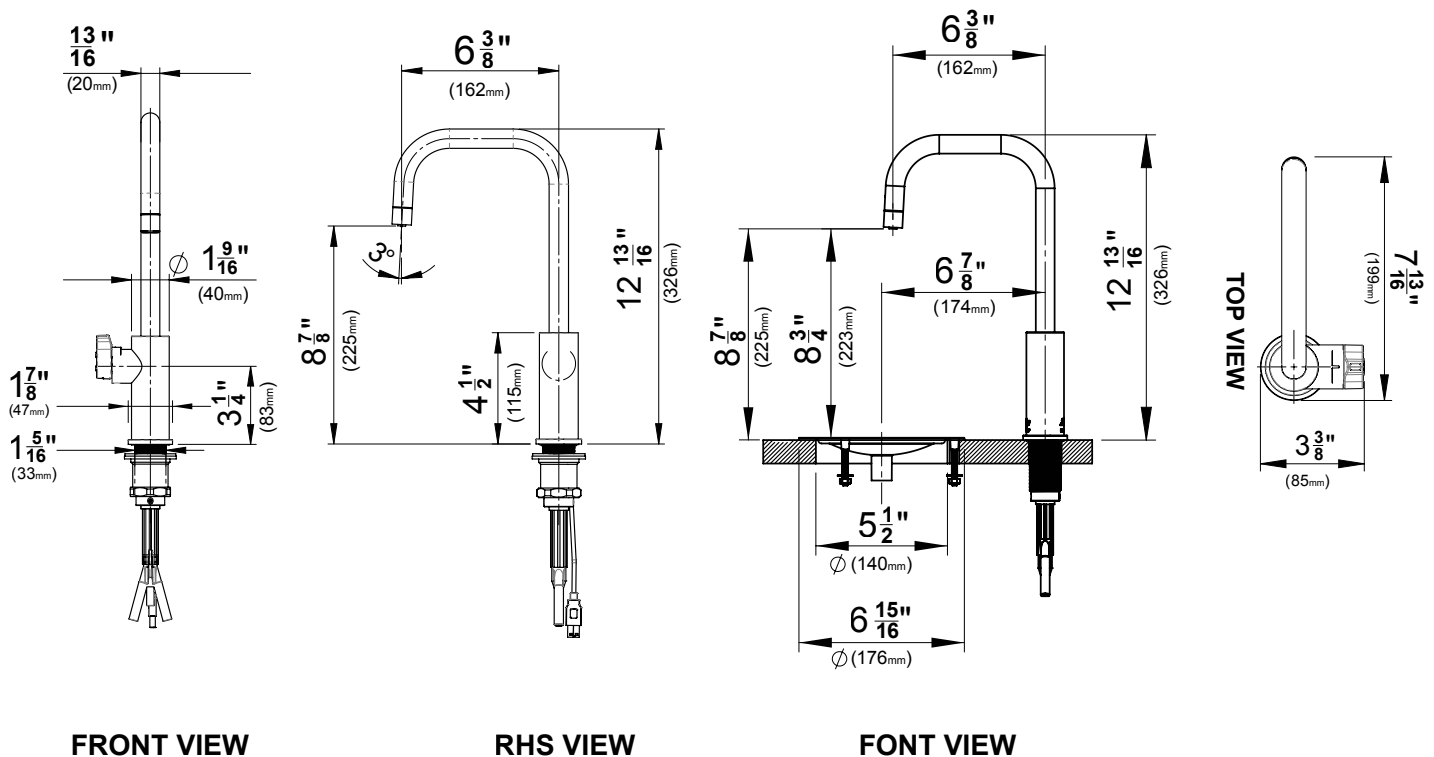
The HydroTap is a pump-driven system so the installation of the Tap must be within 3' (0.9m) of the base command center. Installation on most countertops is straightforward however, some stone countertops may require a specialized cutting service.

If using a drip tray (font) accessory, suitable drainage to a trapped waste is required within 3' (0.9m) of the installation. Sufficient space and clearance to install the HydroTap as detailed in the product installation guidelines is required.

Installation and connection of your HydroTap must be carried out by a qualified person, observing all local, state, & federal regulations.

HydroTap Cube CS - Tap Specs

Style:	HydroTap Cube Tap (CS)
Hole Size:	1 - 3/8" / 35mm
Tap Height:	12 13/16" (326mm) fixed height from counter to apex of spout (when installed over a drain font); 10 7/8" (276mm) and 12 13/16" (326mm) adjustable height (when installed over sink)
Installation:	Over sink as a secondary tap or on optional font/drip tray; Handle orientation - left or right side
Flow Rate:	Max 1.8 gpm / 6.8 lpm
Sparkling Water Flow Rate	0.4 gpm / 1.51 lpm
Product Certifications:	IAPMO - NSF/ANSI 372, 42, 53, CSA B438.1, ASSE 1087; cUL; CEC
ADA Compliant:	Yes



Installation by Zip Professional Service is available in select metro areas and can be arranged with a phone call to 1-833-233-2358 or by emailing wecare@na.zipwater.com. Technical Installation assistance over phone or video call can be obtained by calling our customer care line at 833-233-2358, Monday through Friday 8am - 5pm Central Time.