

Iso Technical Specification

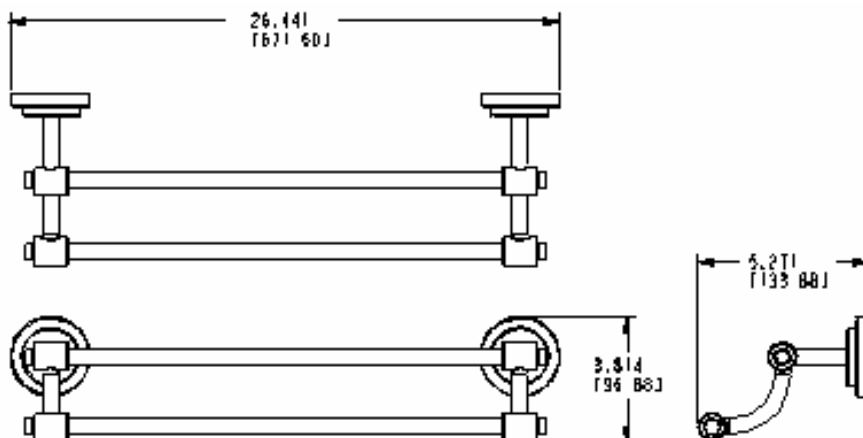
24" Double Towel Bar

DN0722

Stock Numbers:

- q **DN0722CH – 24" Double Towel Bar**
Chrome Finish

Dimensions:



Materials:

Towel bar posts are constructed of zinc. Bars are constructed of aluminum.

Installation Instructions:

Directions below are for installation into drywall. If installing product into a stud, use the wood screws and washers provided only.

- 1) Position the mounting template on the wall in the desired location.
- 2) Using a level, align the template and tape it to the wall.
- 3) Drill two 5/16" holes at each mounting post location that corresponds to your product.
- 4) Remove the template from the wall.
- 5) Fold ends of the plastic toggle together and insert into each hole in the wall.
- 6) Lightly tap anchors until flush with the wall.
- 7) One at a time, insert plastic pin into each of the anchors and lightly tap to activate anchor. Remove pin and repeat on all anchors.
- 8) Secure the EZ 2 Install wall bracket to the wall by inserting 2 screws through the wall bracket holes and into the anchors. Tighten screws.
- 9) Assemble the towel bar and posts.
- 10) Place product posts over EZ 2 Install wall brackets and slide down to lock into place.

Cleaning Instructions:

To preserve the fine finish of this product, clean only with a soft damp cloth. Dry well. Do not use commercial or abrasive cleaners.

Stock Number: _____ **Double Towel Bar**
By Creative Specialties