

Iso™ Technical Specification

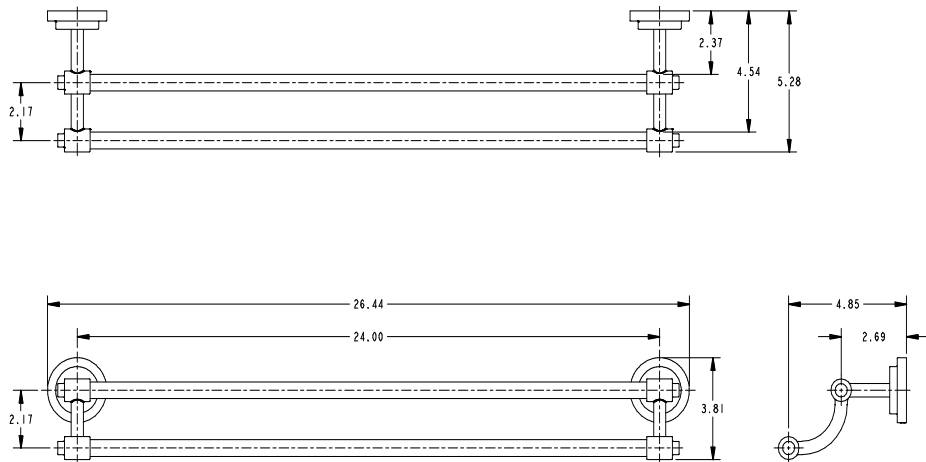
24" Double Towel Bar

DN0722

Stock Numbers:

- DN0722CH – 24" Double Towel Bar
Chrome Finish
- DN0722BN – 24" Double Towel Bar
Brushed Nickel Finish

Dimensions:



Materials:

Towel bar posts are constructed of zinc. Bars are constructed of aluminum.

Installation Instructions:

Directions below are for installation into drywall. If installing product into a stud, use the wood screws and washers provided only.

- 1) Position the mounting template on the wall in the desired location.
- 2) Using a level, align the template and tape it to the wall.
- 3) Drill two 5/16" holes as indicated on the template
- 4) Remove the template from the wall.
- 5) Fold ends of the plastic toggle together and insert into each hole in the wall.
- 6) Lightly tap anchors until flush with the wall.
- 7) One at a time, insert plastic pin into each of the anchors and lightly tap to activate anchor. Remove pin and repeat on all anchors.
- 8) Remove mounting posts from the product assemblies by loosening each setscrew.
- 9) Place the mounting plate on the wall over the installed wall anchors with "UP" facing you.
- 10) Insert screws through the mounting plate into the anchors. Tighten the screws.
- 11) Assemble the towel bar and posts.
- 12) While assembled, position each end post with setscrews facing down and place over both mounting posts. Tighten the setscrew at the bottom of each post.

Cleaning Instructions:

To preserve the fine finish of this product, clean only with a soft damp cloth. Dry well. Do not use commercial or abrasive cleaners.

Stock Number: _____ Double Towel Bar
By Creative Specialties



25300 AL MOEN DRIVE • NORTH OLMSTED, OH 44070
CORPORATE HEADQUARTERS: (800) 321-8809 • FAX: (800) 848-6636
INTERNATIONAL: (440) 962-2000 • FAX: (440) 962-2726
CUSTOMER SERVICE (USA): 800-882-0116 • FAX: (888) 379-2720
WWW.MOEN.COM

©Copyright Creative Specialties International

Literature #BA1401