

Figure 1204



NFP120402

FEATURES & BENEFITS

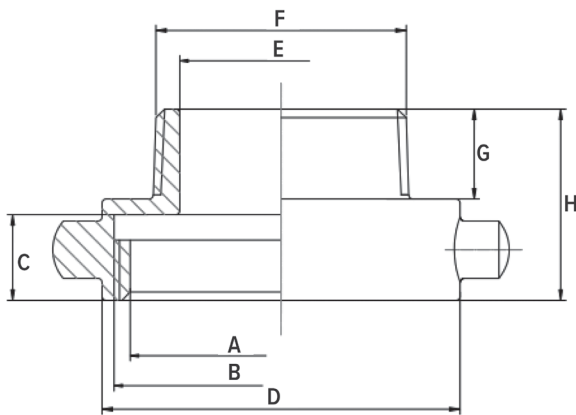
- Size: 2-1/2" FNST x 1-1/2" MNST
- Used to reduce from 2-1/2" hose thread to 1-1/2" hose thread
- Universal pin lug design

INSTALLATION

Prior to installation, make sure all threads are clean and free of debris and that the swivel is complete with a swivel gasket to ensure water-tight seal. Use a two-pin lug style hydrant wrench to tighten.



CAUTION: DO NOT OVERTIGHTEN THREADS. OVERTIGHTENING MAY CAUSE VALVE FAILURE.



DIMENSION (INCHES)

PART #	SIZE	A	B	C	D	E	F	G	H
NFP120402	2-1/2" X 1-1/2"	2-1/2" FNST	Ø3.18	0.80	Ø3.35	Ø1.56	1-1/2" MNST	0.93	1.88

Note: Tolerance: Cast Dim.: +/-0.03" Machining Dim.: +/-0.02"

Not approved for potable water applications