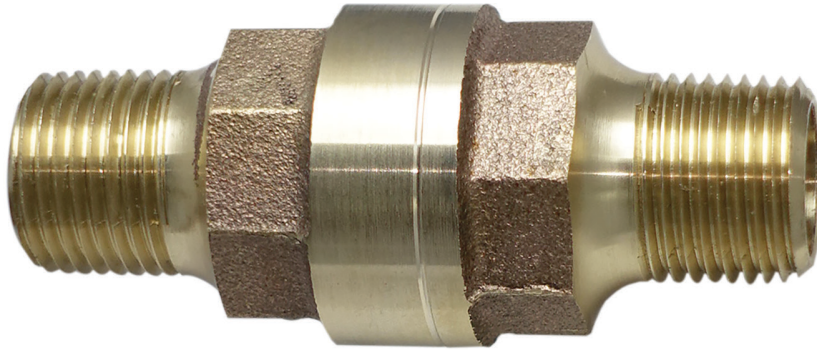


BALL DRIP

Figure 1303



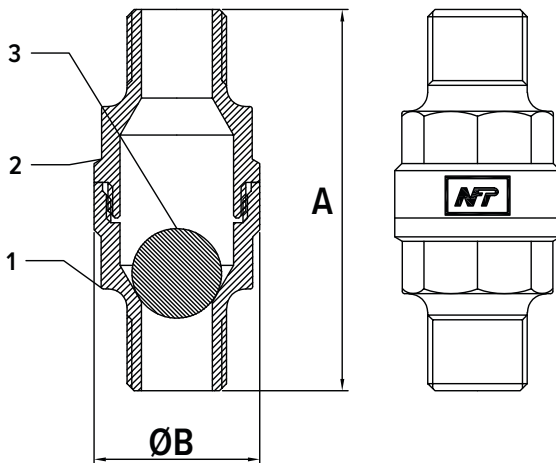
NFP1303D/NFP1303F

INSTALLATION

Prior to installation, ensure all threads are clean and free from burrs and debris. Apply an approved thread sealant and thread into female threads hand-tight. Tighten an additional turn with a pipe wrench. Do not over tighten. Over-tightening may damage the threads and ball drip. Only for use in horizontal position and do not use more than 1ft. column of water (water pressure) on the ball check. Valve opens by force of gravity only.



CAUTION: DO NOT OVERTIGHTEN THREADS. OVERTIGHTENING MAY CAUSE VALVE FAILURE.



FEATURES & BENEFITS

- Size: 1/2" and 3/4" IPS
- Male NPT threads
- Straight pattern
- "Ball" type check valve
- Used to prevent moisture accumulation on the dry side of fire department connections
- Designed for horizontal installation only

TECHNICAL DATA

- Testing pressure:
 - Body 80 PSI air
 - Seat 80 PSI air
- Threads: ANSI B1.20.1 (NPT)

MATERIAL CHART

NO.	PART NAME	MATERIAL	ASTM SPEC
1	Body	Brass	B16 C36000
2	Tailpiece	Brass	B16 C36000
3	Ball disc	Stainless Steel	SS 316

DIMENSION (INCHES)

PART #	SIZE	A	ØB
NFP1303D	1/2"	3.17	1.38
NFP1303F	3/4"	3.17	1.38