

# ADJUSTABLE PRESSURE RELIEF VALVE

Figure 1107



**NFP1107D**

## FEATURES & BENEFITS

- Size: 1/2" IPS
- Adjustment range: 75 - 175 psi\*
- Knurled cap for easy adjustment
- Material: Bronze body, brass cap
- Arrows indicate proper flow direction

## TECHNICAL DATA

- Testing pressure:
  - Body 80 PSI air
  - Seat 80 PSI air

## INSTALLATION

Do not install outlet piping until relief pressure has been set. To set relief pressure, rotate adjustment cap clockwise until seated. Pressurize sprinkler system to the pressure that you wish to provide relief.

Once system pressure has been set, slowly turn pressure relief valve adjustment cap counter-clockwise until the valve outlet starts to bleed off pressure. Once the valve starts to "spit", then slowly close the valve cap until the valve stops "bleeding off" pressure. Check the system pressure gauge to make sure pressure is maintained at the relief pressure. Repeat steps until proper relief pressure has been set. Make sure to test setting by pressurizing system above relief setting to verify proper relief valve function. Use an appropriate thread sealant to prevent leakage of the threaded connections. Refer to Authority Having Jurisdiction or NFPA 13 for proper installation location in the sprinkler system.

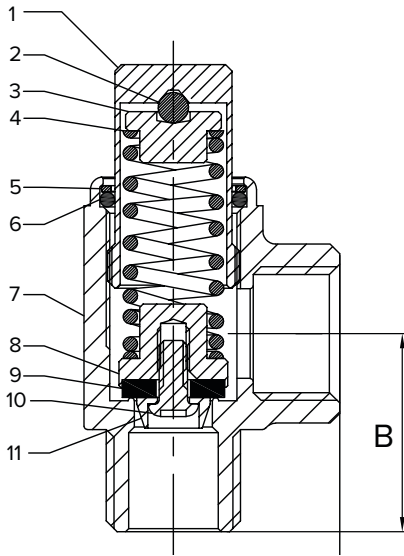


**CAUTION:** DO NOT OVERTIGHTEN THREADS. OVERTIGHTENING MAY CAUSE VALVE FAILURE.

\*The pressure markings on the adjustment cap are for reference only. Use an approved system gauge for proper relief settings. Not approved for potable water applications.

# ADJUSTABLE PRESSURE RELIEF VALVE

Figure 1107



## DIMENSION (INCHES)

PART #	SIZE	A	B
NFP1107D	1/2"	1.02	1.22

## MATERIAL CHART

NO.	PART NAME	MATERIAL
1	Adj. cap	Brass B16 C36000
2	Set ball disc	304 Stainless steel
3	Spring cover	Brass B16 C36000
4	Spring	304 Stainless steel
5	Collar	Brass B16 C36000
6	O-ring	NBR
7	Body	Bronze B584 C84400
8	Disc holder	Brass B16 C36000
9	Disc	NBR
10	Screw	Brass C26000
11	Disc guide	Brass B16 C36000