

# GALVANIZED WALL PLATE WITH SET SCREW

Figure 1006



**NFP1006GK**

## FEATURES & BENEFITS

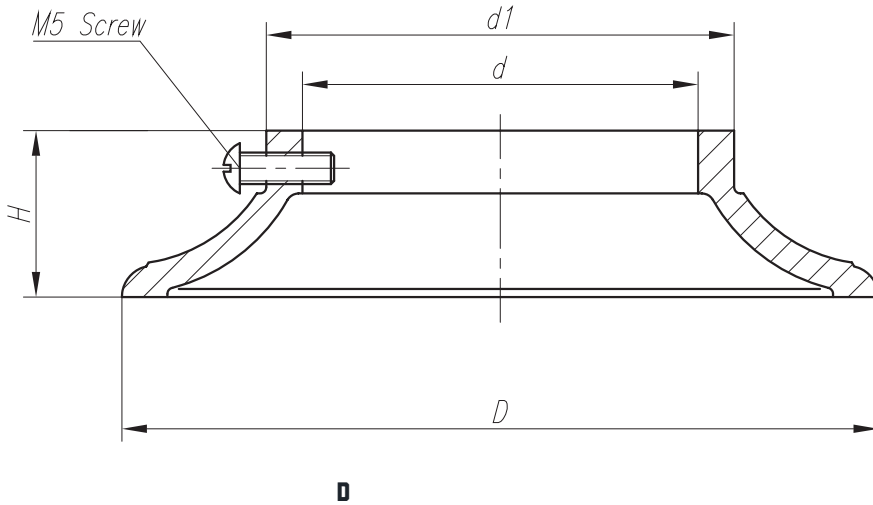
- Sizes: 1"–4" IPS
- Designed to help stabilize pipe penetrating walls or floor
- One piece, rigid design
- Corrosion resistant
- Material: Cast iron
- Finish: Galvanized
- Includes set screw

## INSTALLATION

Each wall pipe should be installed on the corresponding pipe size to maintain proper fit and performance. The wall plate's rigid construction requires that it be installed as the pipe to be fitted is put in place. As the pipe is being installed through the surface to which the plate will provide stability, install the wall plate over the end of the pipe and move to its desired location. Once the length of pipe has been properly installed and the pipe hangers have been adjusted to their final elevation, move the wall plate to its final desired location. Tighten the set screw while maintaining the wall plate in its desired final location. If the wall plate is being used to prevent the movement of pipe through the wall or floor penetration, it is necessary to use one wall plate on each side of the wall or floor to secure the pipe from additional movement. This product is not suitable or approved as earthquake bracing.

# GALVANIZED WALL PLATE WITH SET SCREW

Figure 1006



## DIMENSION (INCHES)

PART NUMBER	SIZE	dØ	d1Ø	DØ	H
NFP1006GG	1"	1.38	1.87	3.58	1.04
NFP1006GH	1-1/4"	1.73	2.15	4.00	1.04
NFP1006GJ	1-1/2"	1.95	2.48	4.25	1.04
NFP1006GK	2"	2.48	2.93	4.74	1.04
NFP1006GL	2-1/2"	2.91	3.44	5.47	1.04
NFP1006GM	3"	3.62	4.13	6.18	1.04
NFP1006GP	4"	4.61	5.08	7.03	1.04