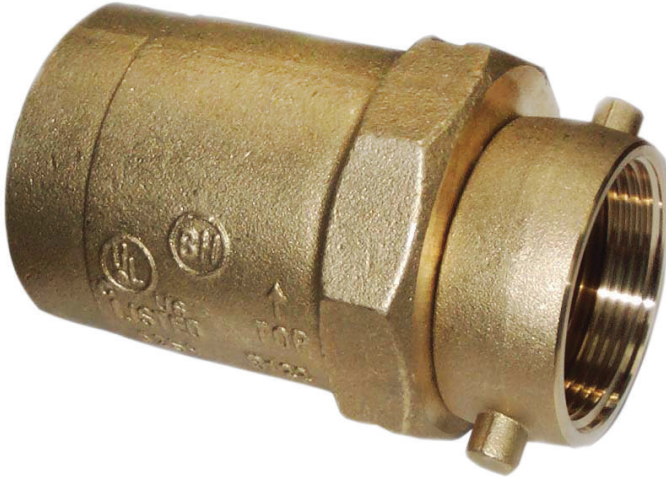


# CHECK SNOOT

Figure 1408



**NFP140806/NFP140807**

## FEATURES & BENEFITS

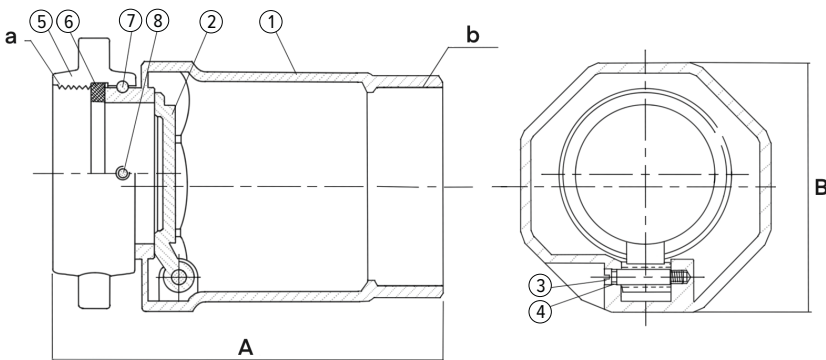
- Size: 2-1/2" x 3"
- Finish: Rough brass
- Used on inlet fire department connections to prevent backflow of water into connected supply lines
- Pressure rating: 175 psi

## TECHNICAL DATA

- Complies with UL 405

## INSTALLATION

Prior to installation, ensure the identification plate is installed if needed. Apply male threads with a suitable pipe thread sealant. Tighten the FDC one full turn past hand tight. Ensure the FDC is aligned according to requirements. Mount horizontally (passive clapper). **CAUTION:** Do not over tighten. Over-tightening may cause cracking or stretching of the valve body.



## MATERIAL CHART

NO.	DESCRIPTION	MATERIAL
1	Body	Brass C85700
2	Disc	Brass C37700
3	Pin	Brass C36000
4	O-Ring	NBR
5	Hose Coupling	Brass C85700
6	Rubber Facing	Vulcanized Rubber
7	Ball Bearings	SS304
8	Screw	Brass C36000

PART #	SIZE	a	b	A	B
NFP140806	2-1/2" Swivel FNST x 3" FNPT	2-1/2" Swivel FNST	3" FNPT	6.99"	4.37"
NFP140807	2-1/2" Swivel FNST x 3" MNPT	2-1/2" Swivel FNST	3" MNPT	6.99"	4.37"

\*Not for use in potable systems