

# SWT Tankless Water Heater Valve Service Kit

Job Name	_____
Location	_____
Engineer	_____
Contractor	_____
Tag	_____ PO# _____

**Specifications**

- Sweat end connection
- Constructed of forged brass
- Color-coded hot and cold valves
- 1 year limited warranty
- Can handle up to 600 psi of water pressure
- 32°F - 180°F temperature range

**May include:**

- lead free pressure relief valve
- 1" OD (3/4" ID) X 24" long, 3/4" male pipe thread X 3/4" female pipe thread yellow coated corrugated stainless steel gas connector

**Applications**

- Potable water

**Materials**

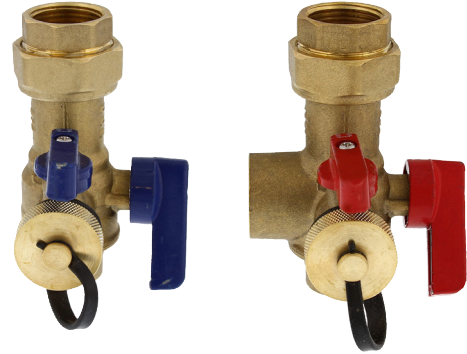
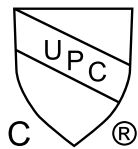
- Brass

**Dimensions and Product Offering**

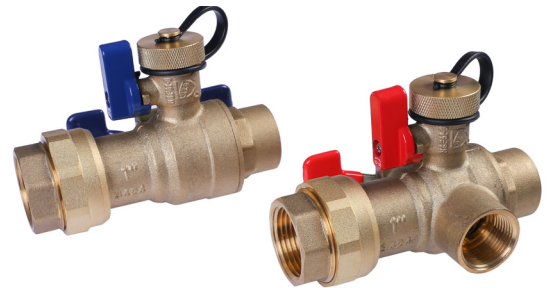
-see following page

**Certifications/Listings/Approvals**

- NSF/ANSI/CAN 372 and 61
- NSF/ANSI 14
- IAPMO/ANSI Z1157
- IAPMO approved for cUPC usage (components individually certified)
- Lead law compliant



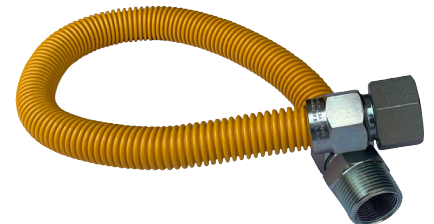
**D05001; D05101; D05111**



**D05012**



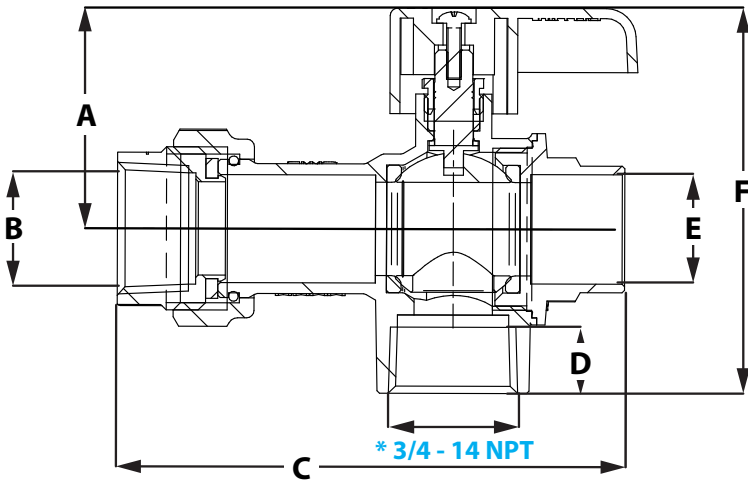
**Pressure Relief Valve**



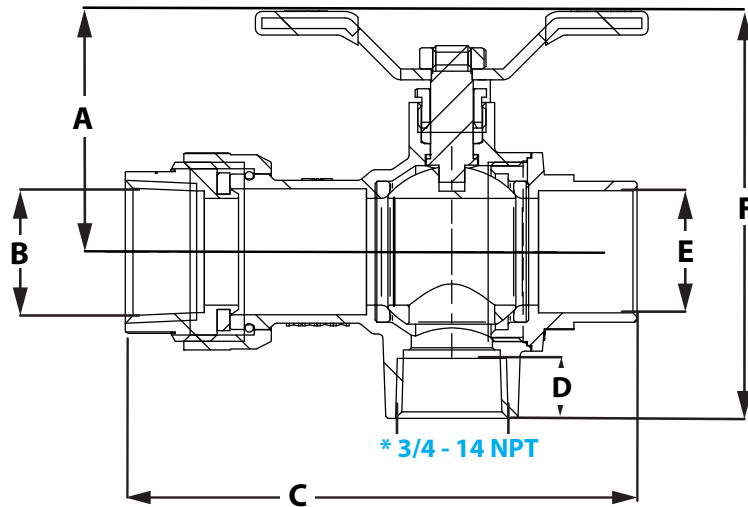
**Gas Connector**

### Dimensions and Product Offering

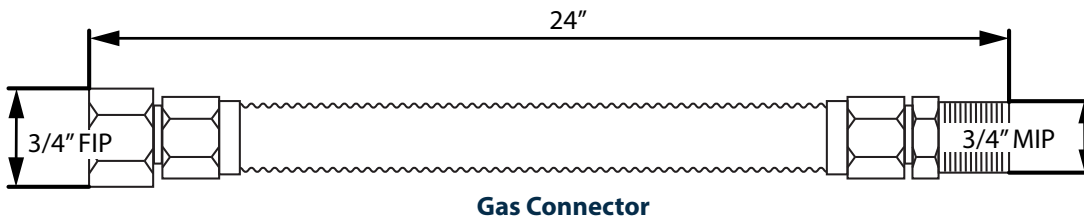
Part Code	Size	Hot & Cold Valves	Pressure Relief Valve	Gas Connector	A	B	C	D	E	F
D05001	3/4"	YES - D05001	-	-	1.77"	3/4 - 14 NPT	4.07	.63"	.88"	3.09"
D05101	3/4"	YES - D05001	YES - G71405	-	1.77"	3/4 - 14 NPT	4.07	.63"	.88"	3.09"
D05111	3/4"	YES - D05001	YES - G71405	YES - G71402	1.77"	3/4 - 14 NPT	4.07	.63"	.88"	3.09"
D05012	1"	YES - D05012	-	-	2.22"	1 - 11.5 NPT	4.72"	.63"	1.13"	3.75"



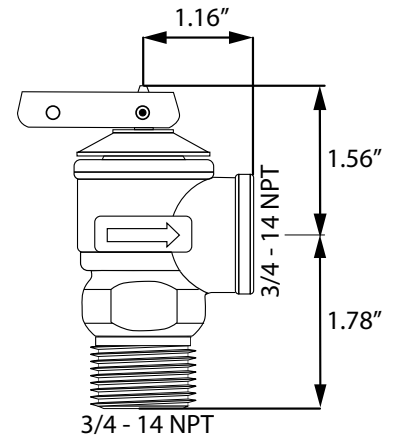
**D05001; D05101; D05111 3/4" Valves**  
 \* Cold Valve does not have this port



**D05012 1" Valve**  
 \* Cold Valve does not have this port



**Gas Connector**



**Pressure Relief Valve**