

# IPS Tankless Water Heater Valve Service Kits

## Specifications

- IPS end connection
- Constructed of forged brass
- Color-coded hot and cold valves
- 1 year limited warranty
- Can handle up to 600 psi of water pressure
- 32°F - 180°F temperature range

### May include:

- lead free pressure relief valve
- lead free sweat adapter
- lead free recirculation valve
- gas sediment trap
- 1" OD (3/4" ID) X 24" long, 3/4" male pipe thread X 3/4" female pipe thread yellow coated corrugated stainless steel gas connector
- lead free gas ball valve

## Applications

- Potable water

## Materials

- Brass

## Product Offering (Dimensions on following page)

Kit Part Code	Size	Hot & Cold Valves	Pressure Relief Valve	Sweat Adapter	Recirculation Valve	Gas Connector	Gas Ball Valve	Gas Sediment Trap
D05002	3/4"	YES - D05002	-	-	-	-	-	-
D05011	1"	YES - D05011	-	-	-	-	-	-
D05013	1"	YES - D05011	YES - G71405	-	-	-	-	-
D05014	1"	YES - D05011	YES - G71405	YES - D05011A	-	-	-	-
D05102	3/4"	YES - D05002	YES - G71405	-	-	-	-	-
D05105	3/4"	YES - D05002	YES - G71405	-	YES - D05002R	-	-	-
D05112	3/4"	YES - D05002	YES - G71405	-	-	YES - G71402	YES - D05112A	YES

## Certifications/Listings/Approvals

- NSF/ANSI/CAN 372 and 61
- NSF/ANSI 14
- IAPMO/ANSI Z1157
- IAPMO approved for cUPC usage (components individually certified)
- Lead law compliant



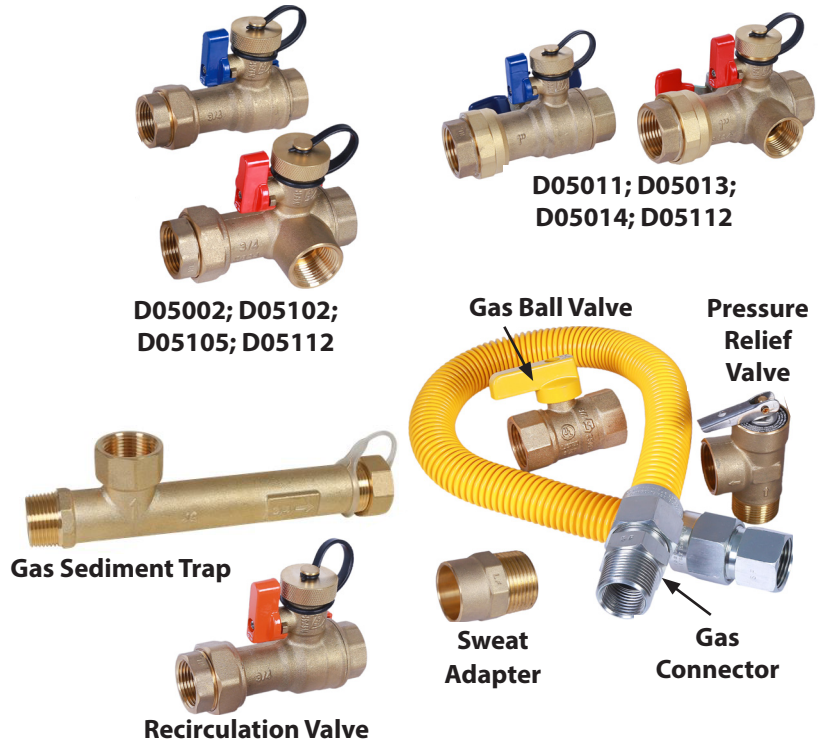
Job Name \_\_\_\_\_

Location \_\_\_\_\_

Engineer \_\_\_\_\_

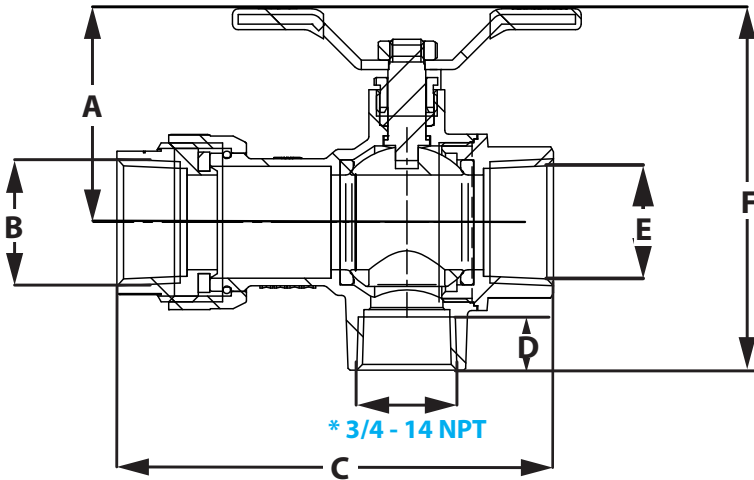
Contractor \_\_\_\_\_

Tag \_\_\_\_\_ PO# \_\_\_\_\_



**Dimensions**

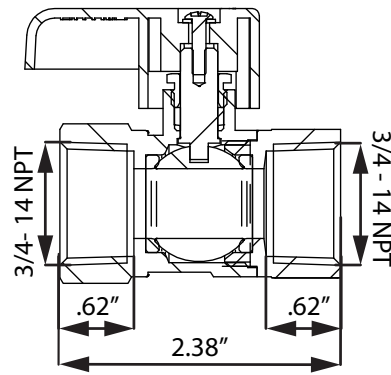
Part Code	Size	A	B	C	D	E	F
D05002	3/4"	1.77"	3/4 - 14 NPT	3.96"	.63"	3/4 - 14 NPT	3.09"
D05011	1"	2.22"	1 - 11.5 NPT	4.53"	.63"	1 - 11.5 NPT	3.75"
D05013	1"	2.22"	1 - 11.5 NPT	4.53"	.63"	1 - 11.5 NPT	3.75"
D05014	1"	2.22"	1 - 11.5 NPT	4.53"	.63"	1 - 11.5 NPT	3.75"
D05102	3/4"	1.77"	3/4 - 14 NPT	3.96	.63"	3/4 - 14 NPT	3.09"
D05105	3/4"	1.77"	3/4 - 14 NPT	3.96"	.63"	3/4 - 14 NPT	3.09"
D05112	3/4"	1.77"	3/4 - 14 NPT	3.96"	.63"	3/4 - 14 NPT	3.09"



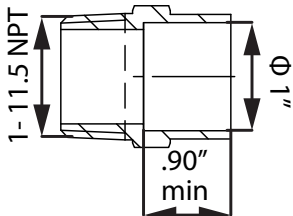
**Hot/Cold/Recirculation Valve**

**NOTE: The recirculation valve is the same valve as the cold water valve, but with an orange handle.**

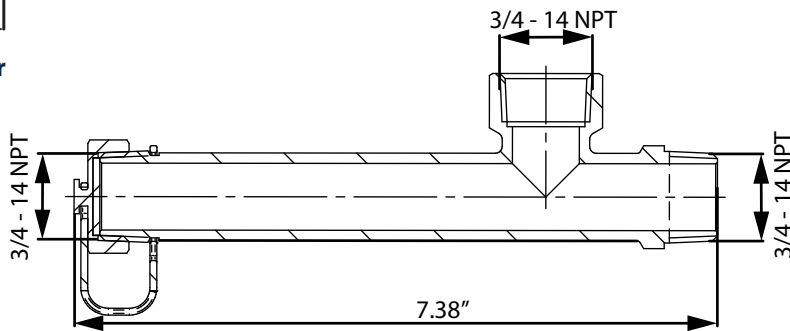
**\* Cold Valve and Recirculation Valve do not have this port**



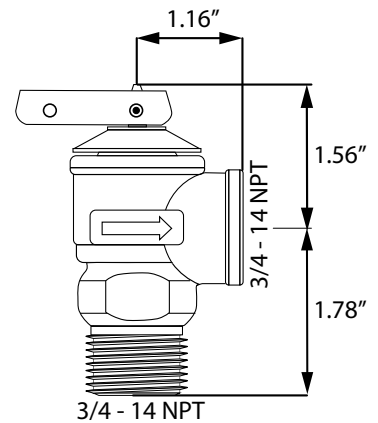
**Gas Ball Valve**



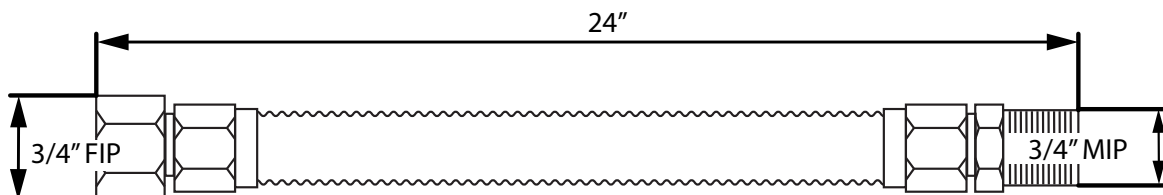
**Sweat Adapter**



**Gas Sediment Trap**



**Pressure Relief Valve**



**Gas Connector**