

Oil-Less Tank Mount Fire Protection Air Compressors
for Dry Pipe & Pre-Action Sprinkler Systems.



OL Plus Series

General Air Products newly improved OLT Plus Series Oil Less Tank Mounted Fire Protection Air Compressors are UL 1450-VDUR Listed and specifically designed to fill dry pipe and pre-action fire sprinkler systems to 40 PSI within 30 minutes per NFPA 13.



Includes 30" Stainless Steel Flex Hose & Union and Vibration Pads.



System Capacity (gal)* @40 PSI	Model Number	CFM @ 10 PSIG	Motor HP	Voltage (volts)	Amperage (amps)		Recommended Wire Size (gauge)			Tank Size (gal)	Unit Weight (lbs)
					FLA	Start Up	25' Run	50' Run	100' Run		
120	OLT12016AC	1.46	1/6	115	3.8	27	12	12	12	10	83
				208-230	2.2	15	12	12	12		
250	OLT25033AC	3.03	1/3	115	4.3	30	12	12	10	10	87
				208-230	2.3	16	12	12	12		
400	OLT40050AC	4.85	1/2	115	9.4	66	12	10	6	10	98
				208-230	4.9	34	12	12	12		
500	OLT50075AC	6.06	3/4	115	9.9	69	12	10	6	10	98
				208-230	5.1	36	12	12	12		
600	OLT600100AC	7.28	1	115	11.3	79	12	10	6	10	98
				208-230	5.7	40	12	12	12		
915	OLT915150AC	11.10	1 1/2	115	16.6	116	12	8	8	20	135
				208-230	8.3	58	10	8	6		
1225	OLT1225200AC	14.85	2	208	11.3	79	10	8	6	20	145
				230	9.6	79	12	12	10		

Features and Benefits

- UL 1450-VDUR Listed
- Oil-Less Piston Compressor
- UL Listed, Pre-Set Pressure Switch
- Fully Automatic, Direct Drive
- ASME Pressure Safety Valve
- Bubble Tight Air Check Valve
- Pre-Wired & Pre-Tested
- Lifetime Technical Support
- Includes Vibration Pads, 30" Stainless Steel Flex Hose & Union

* System Capacity based on 30min fill at 40 PSIG and 70°F system temperature.

Note: A listed Air Maintenance Device must be installed in conjunction with all Tank Mounted air compressors.

Note: All information is subject to change without notice. Consult factory for most up-to-date product details.

WARNING: Cancer and Reproductive Harm – www.p65warnings.ca.gov

OL Plus Series Tank Mounted Fire Protection Air Compressors Accessories

VAPOR PIPE SHIELD



Vapor Pipe Shield is a Patented and UL Listed innovative solution for the prevention of corrosion in Dry-Pipe & Pre-Action Fire Sprinkler Systems.

AIR MAINTENANCE DEVICE



Part # AMD-1

The AMD-1 regulates the volume of air being delivered to the sprinkler system by the air compressor.

Per NFPA 13 - An Air Maintenance Device is required on every dry system unless the air compressor has a capacity less than 5.5 ft³/min at 10 PSI.

MOTOR LINE STARTER



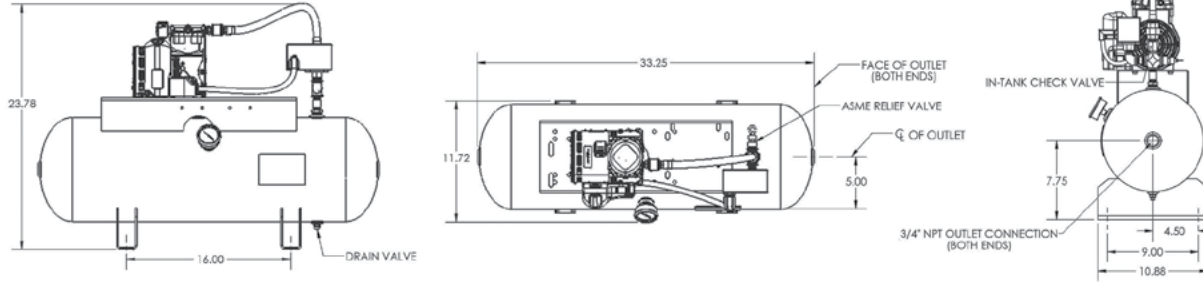
Thermal Overload Protection

SINGLE PHASE MOTOR LINE STARTERS			
MAX HP	115V	208-230V	Size Model
1/3 HP	1 HP	00	MG00A
1 HP	2 HP	0	MG00A
2 HP	3 HP	1	MG01A
3 HP	5 HP	1P	MG15A

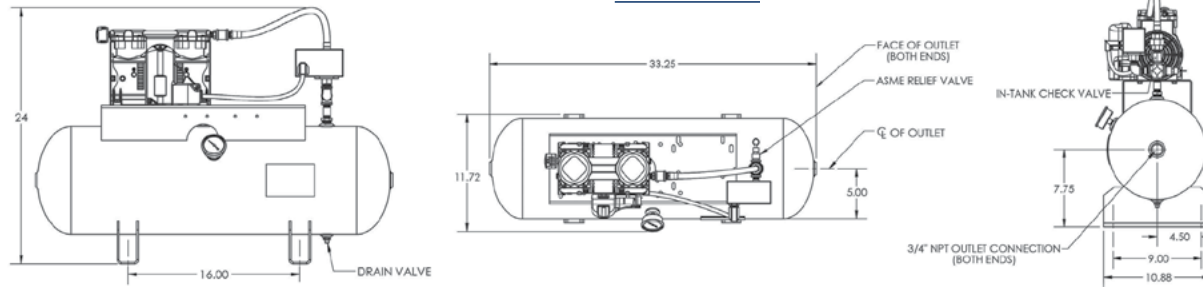
When Ordering a Motor Starter you must specify HP, Voltage & Phase.

OL Plus Series Tank Mounted Fire Protection Air Compressors

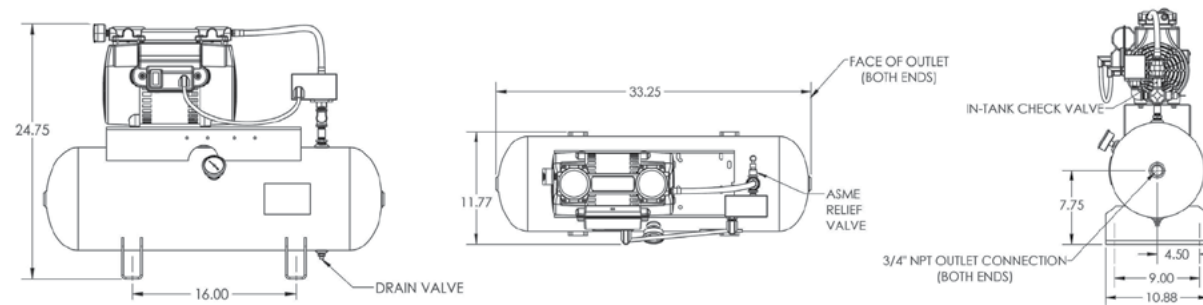
MODEL: OLT12016AC



MODEL: OLT25033AC



MODEL: OLT40050AC | OLT50075AC | OLT600100AC



MODELS: OLT915150AC | OLT12252005AC

