



**BRADFORD WHITE**<sup>®</sup>  
W A T E R   H E A T E R S

**LIGHT DUTY COMMERCIAL ELECTRIC  
REPLACEMENT PARTS LIST**

**Light Duty Energy Saver  
Upright and Lowboy Models**



**Models Covered:**

**LE2(30,40,50)S\***

**LE3(30,40,50)S\***

**LE1(20,30,40,50)L\***

**LE2(30,40,50)LN\***

**LE2(55,65,80)T\***

**LE2120T\***

**\*Denotes warranty year**

Includes Hydrojet<sup>®</sup>  
Total Performance System

**Effective: September, 2021  
ECO 8458**

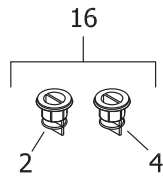
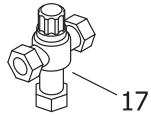
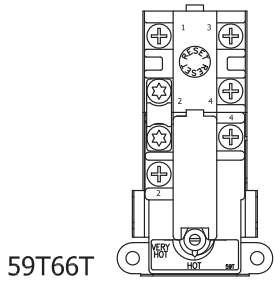
**NOTE: BOTH MODEL AND SERIAL  
NUMBERS ARE REQUIRED FOR  
ORDERING REPLACEMENT PARTS**

Dimensions and specifications  
subject to change without notice.

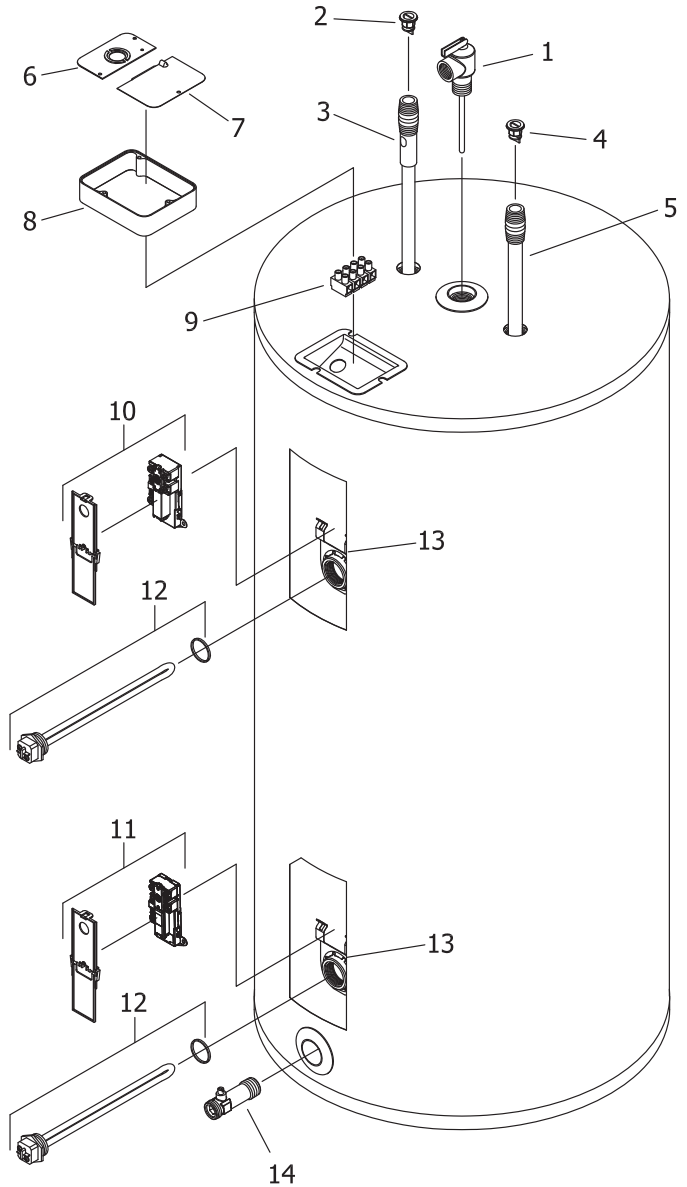
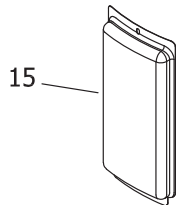
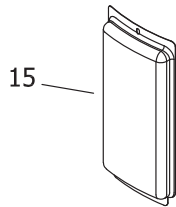
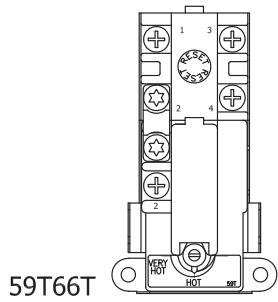
**WARNING**  
CANCER AND REPRODUCTIVE HARM  
[WWW.P65WARNINGS.CA.GOV](http://WWW.P65WARNINGS.CA.GOV)

As required by the state of California Proposition 65.

**TOP LOCATION**  
 ● Double element water heater.



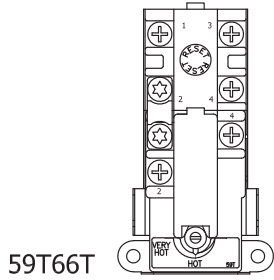
**BOTTOM LOCATION**  
 ● Single element water heater.  
 ● Double element water heater.



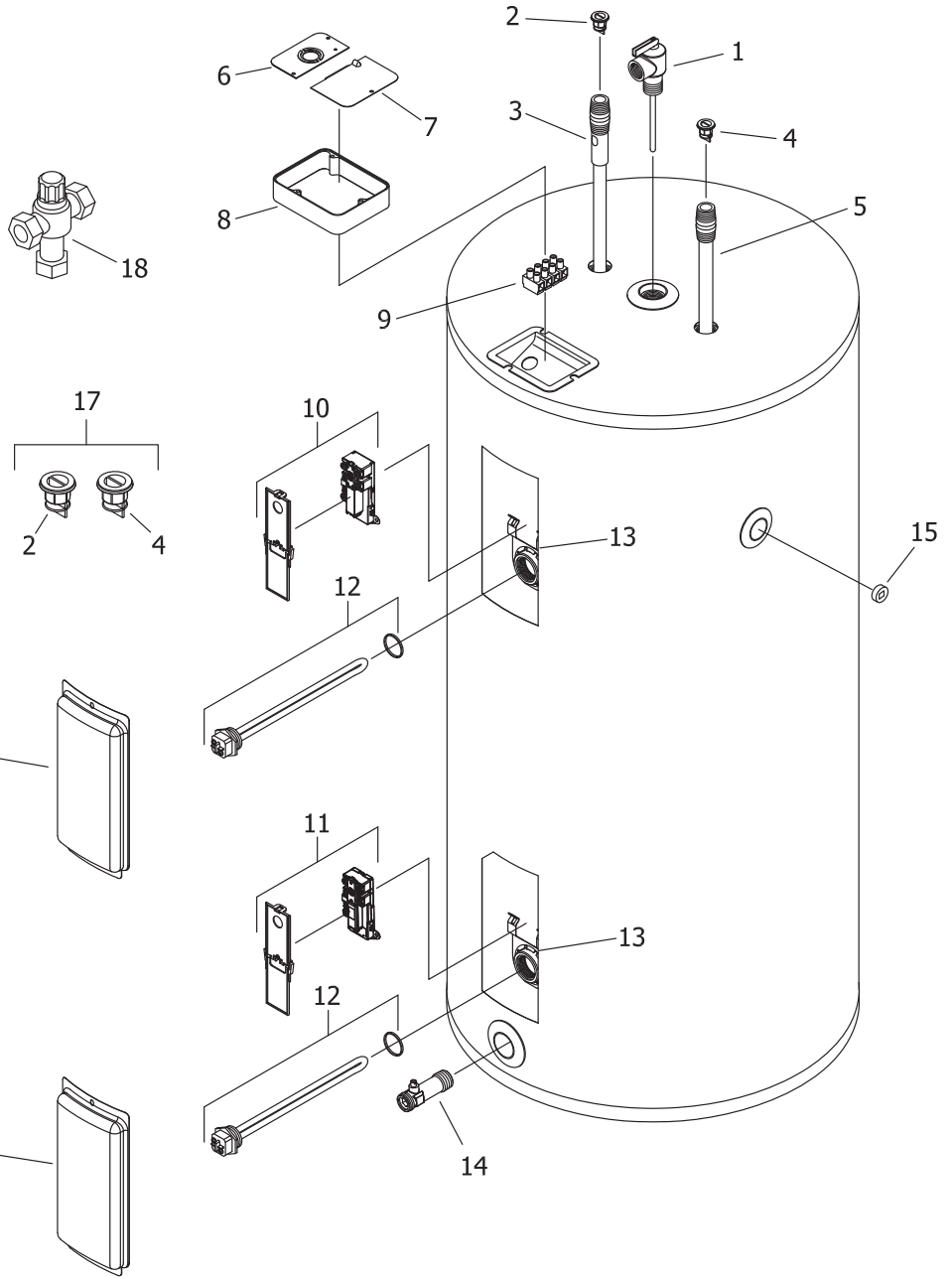
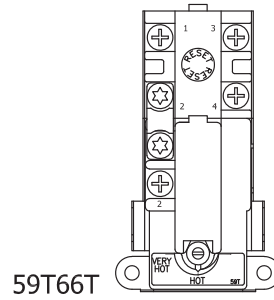
Item	Description	Model	Model	Model
		LE(2,3)30S	LE(2,3)40S	LE(2,3)50S
1	T&P Relief Valve	230-40594-02	230-40594-02	230-40594-02
2	Heat Trap Insert (Outlet)	239-45167-00	239-45167-00	239-45167-00
3	Hot Water Outlet Anode Magnesium ♦#	224-47776-19	224-47776-19	224-47776-19
	Aluminum ♦#	224-32999-28	224-32999-28	224-32999-28
	A420 (Aluminum) ♦#	224-49560-08	224-49560-08	224-49560-08
4	Heat Trap Insert (Inlet)	239-51556-00	239-51556-00	239-51556-00
5	Cold Water Inlet Tube Pex ♦♦	229-51230-21	229-51230-21	229-51230-21
6	Cover Conduit/Ground	243-39451-00	243-39451-00	243-39451-00
7	Cover Junction box	243-39452-00	243-39452-00	243-39452-00
8	Junction Box Extender	239-40587-00	239-40587-00	239-40587-00
9	Terminal Block (4 pole)	243-49908-00	243-49908-00	243-49908-00
10	Upper Thermostat with High Limit (59T66T) & Protector ▲▲ ∩	415-51046-00	415-51046-00	415-51046-00
	Upper and Lower Thermostat (59T66T) & Protector ▲ Φ ∩∩	415-53586-00	415-53586-00	415-53586-00
11	Lower Thermostat (59T66T) & Protector ▲▲ ∩	415-50691-00	415-50691-00	415-50691-00
	Lower Thermostat (59T66T) & Protector ▲ Φ ∩∩	415-53388-00	415-53388-00	415-53388-00
12	Heating Element 240V 4500W with Gasket*	415-48642-00	415-48642-00	415-48642-00
13	Thermostat Mounting Bracket	415-50689-00	415-50689-00	415-50689-00
14	Brass Drain Valve	265-42351-02	265-42351-02	265-42351-02
15	Access Cover	243-36618-02	243-36618-02	243-36618-02
16	Heat Trap Insert Kit	265-51572-00	265-51572-00	265-51572-00
17	ASSE Approved Mixing Valve	239-51778-00	239-51778-00	239-51778-00

- ♦ Order with item 2.
- ♦♦ Order with item 4.
- ▲ Thermostat protector provided in kit with thermostat.
- ▲▲ Thermostat protector and mounting bracket (Item# 13) provided in kit with thermostat.
- Φ Mounting bracket (Item #13) not provided in kit with thermostat.
- \* For other voltage and wattage combinations, refer to heating element on pages 15 & 16.
- # Anode may need to be cut to length, please see page 17 for reference chart of anode length by model.
- ∩ Design certified for products with serial numbers PRIOR to TD43243484.
- ∩∩ Design certified for products with serial numbers AFTER and including TD43243484.

- TOP LOCATION**
- Double element water heater.



- BOTTOM LOCATION**
- Single element water heater.
  - Double element water heater.

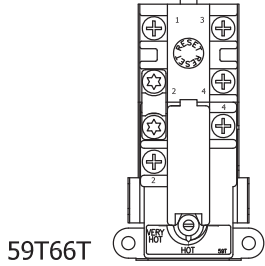


Item	Description	Model	Model	Model	Model
		LE120L	LE130L	LE140L	LE150L
1	T&P Relief Valve	230-40594-02	230-40594-02	230-40594-02	230-40594-02
2	Heat Trap Insert (Outlet)	239-45167-00	239-45167-00	239-45167-00	239-45167-00
3	Hot Water Outlet Anode Magnesium ♦#	224-47776-19	224-47776-19	224-47776-19	224-47776-19
	Aluminum ♦#	224-32999-28	224-32999-28	224-32999-28	224-32999-28
	A420(Aluminum) ♦#	224-49560-08	224-49560-08	224-49560-08	224-49560-08
4	Heat Trap Insert (Inlet)	239-51556-00	239-51556-00	239-51556-00	239-51556-00
5	Cold Water Inlet Tube PEX ♦♦	229-51230-01	229-51718-04	229-51230-27	229-51230-27
6	Cover Conduit/Ground	243-39451-00	243-39451-00	243-39451-00	243-39451-00
7	Cover Junction box	243-39452-00	243-39452-00	243-39452-00	243-39452-00
8	Junction Box Extender	239-40587-00	239-40587-00	239-40587-00	239-40587-00
9	Terminal Block (4 pole)	243-49908-00	243-49908-00	243-49908-00	243-49908-00
10	Upper Thermostat with High Limit (59T66T) & Protector ▲▲▲ ∅	415-51046-00	415-51046-00	415-51046-00	415-51046-00
	Upper and Lower Thermostat (59T66T) & Protector ▲ Φ ∅∅	415-53586-00	415-53586-00	415-53586-00	415-53586-00
11	Lower Thermostat (59T66T) & Protector ▲▲▲ ∅	415-50691-00	415-50691-00	415-50691-00	415-50691-00
	Lower Thermostat (59T66T) & Protector ▲ Φ ∅∅	415-53388-00	415-53388-00	415-53388-00	415-53388-00
12	Heating Element 240V 4500W with Gasket*	415-48642-00	415-48642-00	415-48642-00	415-48642-00
13	Thermostat Mounting Bracket	415-50689-00	415-50689-00	415-50689-00	415-50689-00
14	Brass Drain Valve	265-42351-02	265-42351-02	265-42351-02	265-42351-02
15	Plug-3/4" NPT	239-11638-00	239-11638-00	239-11638-00	239-11638-00
16	Access Cover	243-36618-02	243-36618-02	243-36618-02	243-36618-02
17	Heat Trap Insert Kit	265-51572-00	265-51572-00	265-51572-00	265-51572-00
18	ASSE Approved Mixing Valve	239-51778-00	239-51778-00	239-51778-00	239-51778-00

- ♦ Order with item 2.
- ♦♦ Order with item 4.
- ▲ Thermostat protector provided in kit with thermostat.
- ▲▲ Thermostat protector and mounting bracket (Item# 13) provided in kit with thermostat.
- Φ Mounting bracket (Item #13) not provided in kit with thermostat.
- \* For other voltage and wattage combinations, refer to heating element on pages 15 & 16.
- # Anode may need to be cut to length, please see page 17 for reference chart of anode length by model.
- ∅ Design certified for products with serial numbers PRIOR to TD43243484.
- ∅∅ Design certified for products with serial numbers AFTER and including TD43243484.

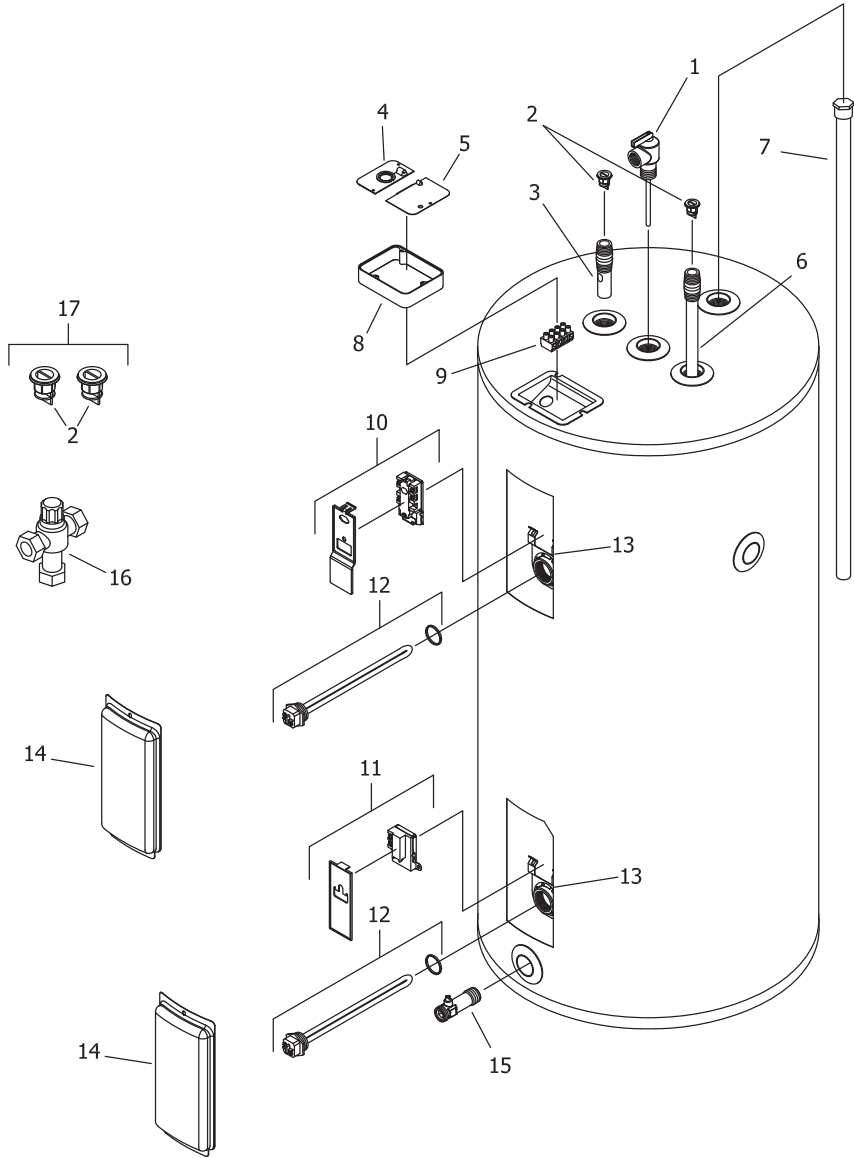
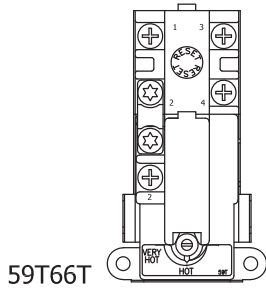
**TOP LOCATION**

- Double element water heater.



**BOTTOM LOCATION**

- Single element water heater.
- Double element water heater.



Item	Description	Model	Model	Model
		LE230LN	LE240LN	LE250LN
1	T&P Relief Valve	230-40594-04	230-40594-04	230-40594-04
2	Heat Trap Insert	239-51556-00	239-51556-00	239-51556-00
3	Hot Water Outlet Device♦	229-51995-00	229-51858-00	229-51858-00
4	Cover Conduit/Ground	243-39451-00	243-39451-00	243-39451-00
5	Cover Junction Box	243-39452-00	243-39452-00	243-39452-00
6	Cold Water Inlet Tube PEX ♦	229-51718-03	229-52007-01	229-51718-02
7	Hex Head Anode Magnesium #	224-47782-08	224-47782-08	224-47782-08
	Aluminum #	224-38508-10	224-38508-10	224-38508-10
	A420 (Aluminum)#	224-49559-04	224-49559-04	224-49559-04
8	Junction Box Extender	239-40587-00	239-40587-00	239-40587-00
9	Terminal Block (4 pole)	243-49908-00	243-49908-00	243-49908-00
10	Upper Thermostat with High Limit (59T66T) & Protector ▲▲ ∩	415-51046-00	415-51046-00	415-51046-00
	Upper and Lower Thermostat (59T66T) & Protector ▲ Φ ∩∩	415-53586-00	415-53586-00	415-53586-00
11	Lower Thermostat (59T66T) & Protector ▲▲ ∩	415-50691-00	415-50691-00	415-50691-00
	Lower Thermostat (59T66T) & Protector ▲ Φ ∩∩	415-53388-00	415-53388-00	415-53388-00
12	Heating Element 240V 4500W with Gasket*	415-48642-00	415-48642-00	415-48642-00
13	Thermostat Mounting Bracket	415-50689-00	415-50689-00	415-50689-00
14	Access Cover	243-36618-02	243-36618-02	243-36618-02
15	Brass Drain Valve	265-42351-02	265-42351-02	265-42351-02
16	ASSE Approved Mixing Valve	239-51778-00	239-51778-00	239-51778-00
17	Heat Trap Insert Kit (PEX)	265-51572-00	265-51572-00	265-51572-00

♦ Order with item 2.

▲ Thermostat protector provided in kit with thermostat.

▲▲ Thermostat protector and mounting bracket (Item# 13) provided in kit with thermostat.

Φ Mounting bracket (Item #13) not provided in kit with thermostat.

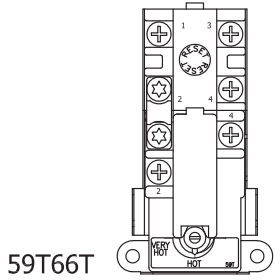
\* For other voltage and wattage combinations, refer to heating element on pages 13 & 14.

# Anode may need to be cut to length, please see page 15 for reference chart of anode length by model.

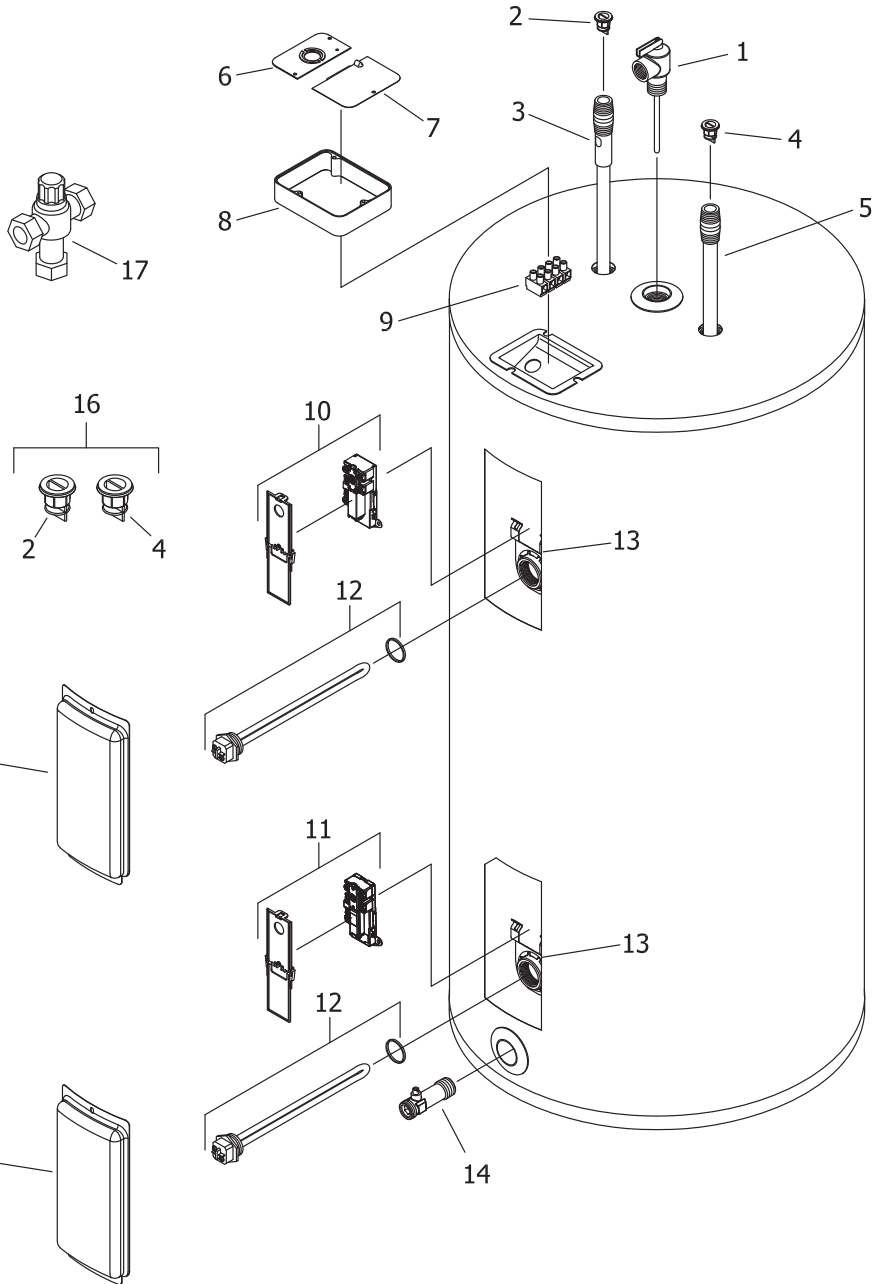
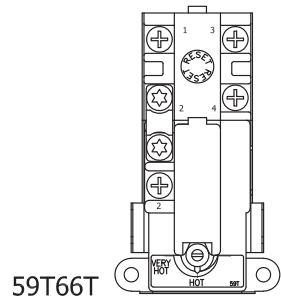
∩ Design certified for products with serial numbers PRIOR to TD43243484.

∩∩ Design certified for products with serial numbers AFTER and including TD43243484.

- TOP LOCATION**
- Double element water heater.



- BOTTOM LOCATION**
- Single element water heater.
  - Double element water heater.



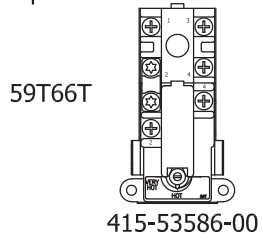


Item	Description	Model	Model	Model
		LE265T	LE280T	LE2120T
1	T&P Relief Valve	230-40594-02	230-40594-02	230-40594-02
2	Heat Trap Insert (Outlet)	239-45167-00	239-45167-00	239-45167-00
3	Hot Water Outlet Anode Magnesium ♦ #	224-47776-19	224-47776-27	224-47780-01
	Aluminum ♦ #	224-32999-28	224-32999-28	224-45036-01
	A420 (Aluminum)#	224-49560-08	224-49560-08	---
4	Heat Trap Insert (Inlet)	239-51556-00	239-51556-00	239-51556-00
5	Cold Water Inlet Tube PEX ♦♦	229-51230-22	229-51230-33	---
	Cold Water Inlet Tube Polysulfone ♦♦	---	---	229-45032-01
6	Cover Conduit/Ground	243-39451-00	243-39451-00	243-39451-00
7	Cover Junction Box	243-39452-00	243-39452-00	243-39452-00
8	Junction Box Extender	239-40587-00	239-40587-00	239-40587-00
9	Terminal Block (4 pole)	243-49908-00	243-49908-00	243-49908-00
10	Upper Thermostat with High Limit (59T66T) & Protector ▲▲ ∩	415-51046-00	415-51046-00	415-51046-00
	Upper and Lower Thermostat (59T66T) & Protector ▲ Φ ∩∩	415-53586-00	415-53586-00	415-53586-00
11	Lower Thermostat (59T66T) & Protector ▲▲ ∩	415-50691-00	415-50691-00	415-50691-00
	Lower Thermostat (59T66T) & Protector ▲ Φ ∩∩	415-53388-00	415-53388-00	415-53388-00
12	Heating Element 240V 4500W with Gasket*	415-48642-00	415-48642-00	415-48642-00
13	Thermostat Mounting Bracket	415-50689-00	415-50689-00	415-50689-00
14	Brass Drain Valve	265-42351-02	265-42351-02	265-42351-02
15	Access Cover	243-36618-02	243-36618-02	243-36618-02
16	Heat Trap Insert Kit (PEX)	265-51572-00	265-51572-00	265-51572-00
17	ASSE Approved Mixing Valve	239-51778-00	239-51778-00	239-51778-00

- ♦ Order with item 2.
- ♦♦ Order with item 4.
- ▲ Thermostat protector provided in kit with thermostat.
- ▲▲ Thermostat protector and mounting bracket (Item #13) provided in kit with thermostat.
- Φ Mounting bracket (Item #13) not provided in kit with thermostat.
- \* For other voltage and wattage combinations, refer to heating element on pages 15 & 16.
- # Anode may need to be cut to length, please see page 17 for reference chart of anode length by model.
- ∩ Design certified for products with serial numbers PRIOR to TD43243484.
- ∩∩ Design certified for products with serial numbers AFTER and including TD43243484.

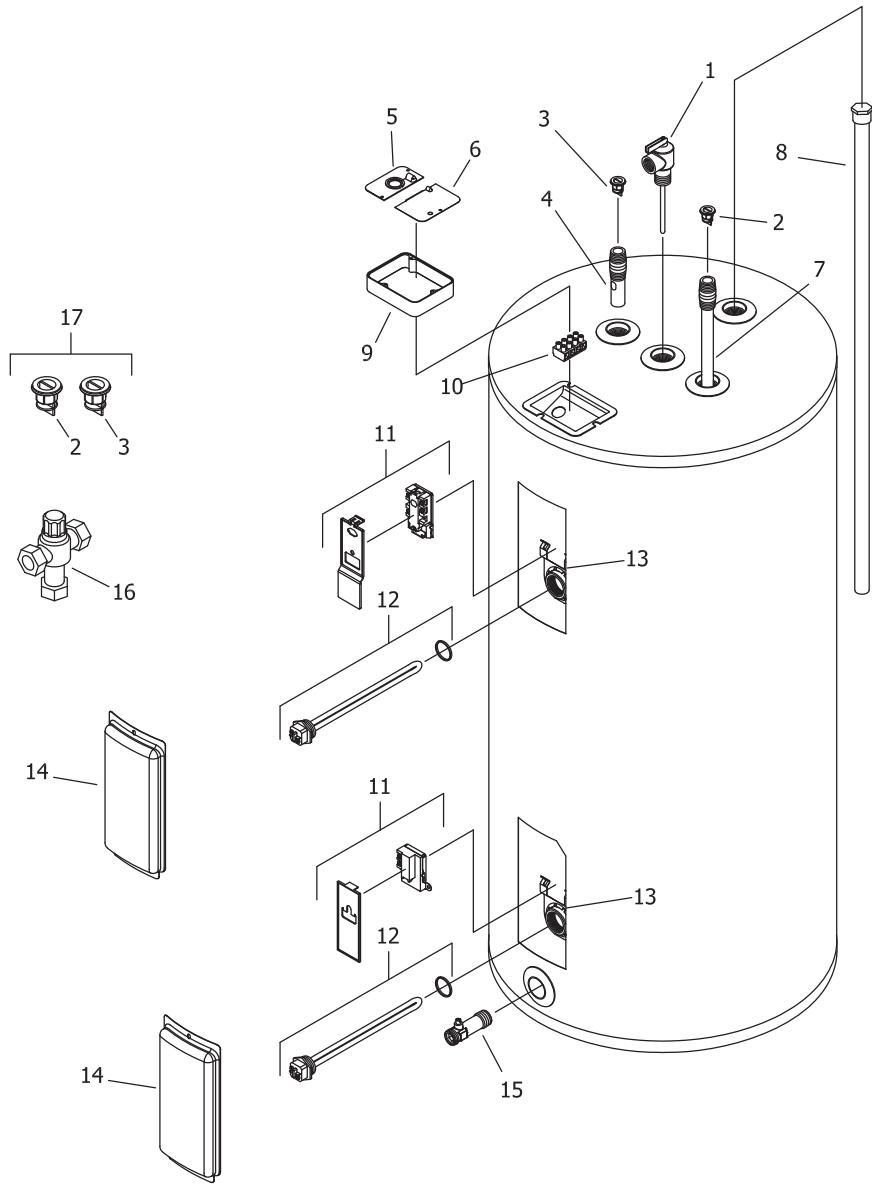
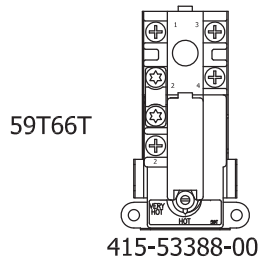
TOP LOCATION

- LE255T water heater, non-simultaneous single phase and three phase operation.



BOTTOM LOCATION

- Double element water heater, non-simultaneous three phase and simultaneous operation.



Item	Description	Model LE255T
1	T&P Relief Valve	230-40594-04
2	Heat Trap Insert (Inlet)	239-51556-00
3	Heat Trap Insert (Outlet)	239-45167-00
4	Hot Water Outlet Device♦	229-50053-06
5	Cover Conduit/Ground	243-39451-00
6	Cover Junction Box	243-39452-00
7	Cold Water Inlet Tube PEX ♦♦	229-51718-05
8	Hex Head Anode Magnesium #	224-47782-08
	Aluminum #	224-38508-10
	A420 (Aluminum)#	224-49559-04
9	Junction Box Extender	239-40587-00
10	Terminal Block (4 pole)	243-49908-00
11	Upper and Lower Thermostat (59T66T) & Protector ▲	415-53586-00
12	Lower Thermostat (59T66T) & Protector ▲	415-53388-00
13	Heating Element 240V 4500W with Gasket*	415-48642-00
14	Thermostat Mounting Bracket	415-50689-00
15	Access Cover	243-36618-02
16	Brass Drain Valve	265-42351-02
17	ASSE Approved Mixing Valve	239-51778-00
18	Heat Trap Insert Kit (PEX)	265-51572-00

♦ Order with item 3.

♦♦ Order with item 2.

▲ Thermostat protector provided in kit with thermostat.

\* For other voltage and wattage combinations, refer to heating element on pages 15 & 16.

# Anode may need to be cut to length, please see page 17 for reference chart of anode length by model.

### Voltage & Wattage Conversion Kits

Element Wattage	Non-Simultaneous	Simultaneous Max Wattage	Voltage			
			120	208	240	277
1500	1500	3000	415-46409-01	415-46409-05	415-46409-13	415-46409-16
2000	2000	4000	415-46409-02 *	415-46409-06	415-46409-05	415-46409-17
2500	2500	5000	415-46409-03 *	415-46409-07	415-46409-06	415-46409-18
3000	3000	6000	415-46409-04 *	415-46409-08	415-46409-14	415-46409-19
3500	3500	7000	N/A	415-46409-09	415-46409-07	N/A
4000	4000	8000	N/A	415-46409-49	415-46409-08	415-46409-20
4500	4500	9000	N/A	415-46409-11	415-46409-09	415-46409-51
5000	5000	10000	N/A	415-46409-50	415-46409-15	415-46409-52
5500	5500	11000	N/A	415-46409-65 * 415-46409-67	415-46409-49	415-46409-61
6000	6000	12000	N/A	415-46409-66 * 415-46409-68	415-46409-48 *	415-46409-53

			380	415	480
1500	1500	3000	415-46409-24	415-46409-41	415-46409-32
2000	2000	4000	415-46409-43	415-46409-24	415-46409-33
2500	2500	5000	415-46409-25	415-46409-43	415-46409-34
3000	3000	6000	415-46409-26	415-46409-25	415-46409-35
3500	3500	7000	415-46409-54	415-46409-26	N/A
4000	4000	8000	415-46409-56	415-46409-54	415-46409-36
4500	4500	9000	415-46409-57	415-46409-55	415-46409-59
5000	5000	10000	415-46409-58	415-46409-56	415-46409-38
5500	5500	11000	415-46409-63	415-46409-57	415-46409-62
6000	6000	12000	415-46409-64	415-46409-58	415-46409-60

\* These kits contain only one element for single element water heaters only.

**Heating Elements (Copper) for:  
Residential Series (RE)  
Light Duty (LE) Commercial Series  
Medium Duty (E32) Commercial Series  
Commercial (MII) Series**

Wattage	120 Volt	208 Volt	240 Volt	277 Volt	380 Volt
1000W ▲	415-42540-01	415-42544-01	415-42546-01	N/A	N/A
1250W ▲	N/A	N/A	415-42544-13	N/A	N/A
1500W ▲	415-42540-02	415-42544-03	415-42544-01	N/A	N/A
1500W (LWD)▲	415-42540-03	N/A	415-42544-02	N/A	N/A
2000W ▲	415-42540-04	415-42544-04	415-42544-03	N/A	N/A
2500W ▲	415-42540-05	415-42544-06	415-42544-04	N/A	N/A
3000W ▲	415-42540-07	415-42544-14	415-42544-05	N/A	N/A
3500W ▲▲	N/A	220-51333-08	415-42544-06	N/A	N/A
3800W ▲▲	N/A	N/A	415-42546-10	N/A	N/A
4000W ▲▲	N/A	415-42544-16	415-42544-14	N/A	N/A
4500W ▲▲	N/A	415-42544-12	415-48642-00	N/A	N/A
4500W (LWD) ▲▲	N/A	N/A	415-51333-09	N/A	N/A
5000W ▲▲	N/A	N/A	415-42544-10	N/A	N/A
5500W ▲▲	N/A	N/A	415-42544-16	N/A	N/A
6000W ▲▲	N/A	N/A	415-42544-12	N/A	N/A
Element gasket ^	223-34019-00	223-34019-00	223-34019-00	223-34019-00	223-34019-00
Element plug	223-34020-00	223-34020-00	223-34020-00	223-34020-00	223-34020-00

(LWD) = Low Watt Density

▲ For 12" Diameter tanks and above.

▲▲ For 14" Diameter tanks and above.

^ Element gaskets should be ordered with elements.

**Heating Elements (Incoloy) for:  
Residential Series (RE)  
Light Duty (LE) Commercial Series  
Medium Duty (E32) Commercial Series  
Commercial (MII) Series**

Wattage	120 Volt	208 Volt	240 Volt	277 Volt	380 Volt	415 Volt	480 Volt	600 Volt
1000W ▲	N/A	415-42545-13	415-42547-10	N/A	N/A	N/A	N/A	N/A
1250W ▲	N/A	N/A	N/A	N/A	N/A	N/A	N/A	N/A
1500W ▲	415-42541-02	415-42545-02	415-42545-13	415-42547-10	415-42551-12	415-42551-11	415-42553-09	N/A
1500W (LWD) ▲	N/A	N/A	N/A	N/A	N/A	N/A	N/A	N/A
2000W ▲	N/A	415-42545-14	415-42545-02	415-42547-07	415-42549-04	415-42551-12	415-42553-01	N/A
2500W ▲	N/A	415-42545-11	415-42545-14	415-42547-11	415-42551-13	415-42549-04	415-42553-10	N/A
3000W ▲	N/A	415-42545-12	415-42545-15	415-42547-08	415-42551-10	415-42551-13	415-42553-08	N/A
3500W ▲▲	N/A	415-51328-07	415-42545-11	N/A	415-42551-14	415-42551-10	N/A	N/A
3800W ▲▲	N/A	N/A	415-42547-15	N/A	N/A	N/A	N/A	N/A
4000W ▲▲	N/A	415-42545-17	415-42545-12	415-42547-03	415-42551-16	415-42551-14	415-42553-03	N/A
4500W ▲▲	N/A	415-42545-19	415-51328-07	415-42547-12	415-42551-17	415-42551-15	415-42553-11	N/A
4500W (LWD) ▲▲	N/A	N/A	N/A	N/A	N/A	N/A	N/A	N/A
5000W ▲▲	N/A	415-42543-04	415-42545-18	415-42547-15	415-42551-18	415-42551-16	415-42553-12	N/A
5500W ▲▲	N/A	415-42543-05	415-42545-17	415-42547-13	415-42549-06	415-42551-17	415-42553-13	N/A
6000W ▲▲	N/A	415-42543-06	415-42545-19	415-42547-14	415-42549-05	415-42551-18	415-42553-14	N/A
Element gasket ^	223-34019-00	223-34019-00	223-34019-00	223-34019-00	223-34019-00	223-34019-00	223-34019-00	223-34019-00
Element plug	223-34020-00	223-34020-00	223-34020-00	223-34020-00	223-34020-00	223-34020-00	223-34020-00	223-34020-00

(LWD) = Low Watt Density

Element wrench \*\*\* 415-35897-12

\*\*\* For use with residential, LE, LD, E32, and MII series heating elements only. Not for use with commercial "A" series heating elements.

▲ For 12" diameter tanks and above.

▲▲ For 14" diameter tanks and above.

^ Element gaskets should be ordered with elements.

**Reference Chart of Anode Length by Model**

Model	AOD Anode Cut Length (End to end)		Hex Head Anode Cut Length (End to end)	
	Inches	Millimeters	Inches	Millimeters
LE230S	39.13	994	---	---
LE240S	39.13	994	---	---
LE250S	39.13	994	---	---
LE330S	39.13	994	---	---
LE340S	39.13	994	---	---
LE350S	39.13	994	---	---
LE230LN	---	---	23	584
LE240LN	---	---	23	584
LE250LN	---	---	23	584
LE120L	20.63	524	---	---
LE130L	27.13	690	---	---
LE140L	27.13	690	---	---
LE150L	27.13	690	---	---
LE255T	---	---	47	1194
LE265T	51.13	1303	---	---
LE280T	51.13	1303	---	---
LE2120T	50.81	1291	---	---



## United States

---

**General Contact** 800-523-2931  
**Technical Support** 800-334-3393  
*Email* [techsupport@bradfordwhite.com](mailto:techsupport@bradfordwhite.com)  
**Warranty** 800-531-2111  
*Email* [warranty@bradfordwhite.com](mailto:warranty@bradfordwhite.com)  
**Service Parts** 800-538-2020  
*Email* [parts@bradfordwhite.com](mailto:parts@bradfordwhite.com)

## Canada

---

**General Contact** 866-690-0961  
**Technical Support** 800-334-3393  
*Email* [techsupport@bradfordwhite.com](mailto:techsupport@bradfordwhite.com)  
**Warranty** 800-531-2111  
*Email* [warranty@bradfordwhite.com](mailto:warranty@bradfordwhite.com)  
**Orders** [ca.orders@bradfordwhite.com](mailto:ca.orders@bradfordwhite.com)

## International

---

**General Contact** [international@bradfordwhite.com](mailto:international@bradfordwhite.com)  
**Orders** [export.po@bradfordwhite.com](mailto:export.po@bradfordwhite.com)

For field service, please contact your professional installer or local Bradford White sales representative.