

OL Plus Series Oil-Less, Riser Mount Air Compressors
for **Low Pressure Dry Pipe & Pre-Action Sprinkler Systems**

General Air Products newly improved Low Pressure OL Plus Series Oil Less Riser Mount Fire Protection Air Compressors are UL 1450-VDUR Listed and specifically designed to fill dry pipe and pre-action fire sprinkler systems to 20 PSI within 30 minutes per NFPA 13.

- UL 1450-VDUR Listed
- Oil-Less Piston Compressor
- UL Listed, Pre-Set Pressure Switch
- Fully Automatic, Direct Drive
- Includes Riser Mounting Bracket, 30" Stainless Steel Flex Hose & Union
- ASME Pressure Safety Valve
- Bubble Tight Air Check Valve
- Pre-Wired & Pre-Tested
- Lifetime Technical Support




System Capacity* (gal) @ 20 PSI	Model Number	Average CFM**	Motor HP	Voltage (volts)	Amperage (amps)		Recommended Wire Size (gage)			Unit Weight (lbs)
					FLA	Start Up	25' Run	50' Run	100' Run	
320	OLR32016AC-LP	1.94	1/6	115	3.3	23.1	12	12	12	29
				208-230	1.8	12.6	12	12	12	
550	OLR55033AC-LP	3.33	1/3	115	3.5	24.5	12	12	10	33
				208-230	1.9	13.3	12	12	12	
860	OLR86050AC-LP	5.21	1/2	115	9.4	65.8	12	10	6	45
				208-230	4.9	34.3	12	12	12	
990	OLR99075AC-LP+	6.0	3/4	115	11.6	81.2	12	10	6	48
				208-230	5.8	40.6	12	12	12	

* System Capacity based on 30min fill at 20 PSIG and 70°F system temperature.

** CFM is based on the average free air delivery as the system fills from 0 to 20 PSIG.

+ Compressor has a capacity above 5.5 CFM at 10 PSIG. Air Maintenance Device required per NFPA 13.

Note: All information is subject to change without notice. Consult factory for most up-to-date product details.

 WARNING: Cancer and Reproductive Harm - www.p65warnings.ca.gov

Fire Protection Air Compressor Accessories

Air Maintenance Device - Part # AMD-1



The AMD-1 regulates the volume of air being delivered to the sprinkler system by the air compressor.

Per NFPA 13 - An Air Maintenance Device is required on every dry system unless the air compressor has a capacity less than 5.5 ft³/min at 10 PSI.

Motor Line Starter - Thermal Overload Protection

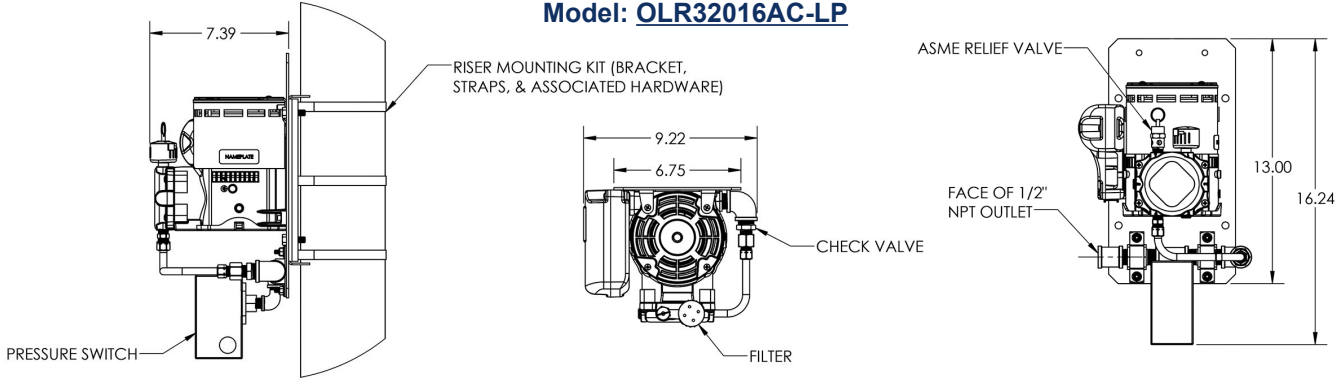


SINGLE PHASE MOTOR LINE STARTERS				
	115V	208/230V	Model	
MAX HP	1/2 HP	1 HP	00	MG00A
	1 HP	2 HP	0	MGX0A
	2 HP	3 HP	1	MG01A
	3 HP	5 HP	1P	MG15A

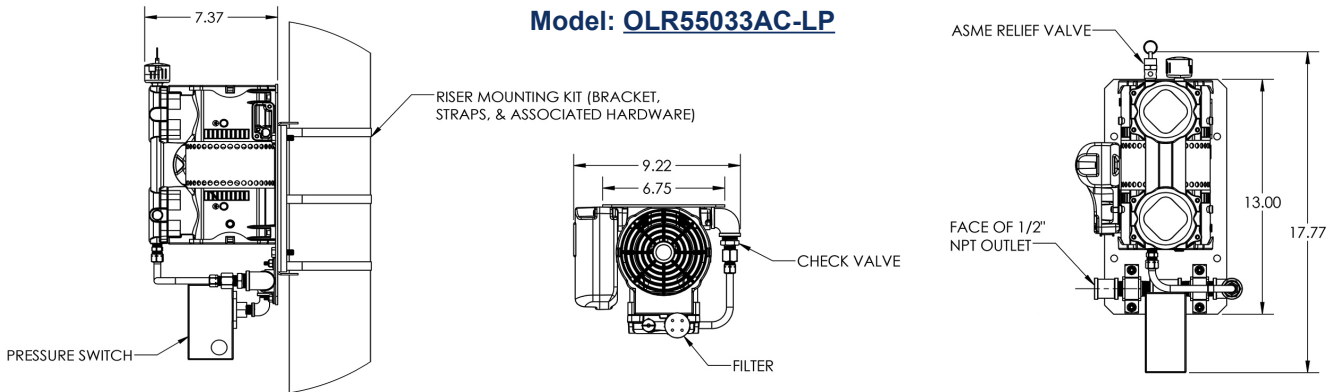
When Ordering a Motor Starter you must specify HP, Voltage & Phase.

OL Plus Series - Low Pressure Riser Mount Fire Protection Air Compressors

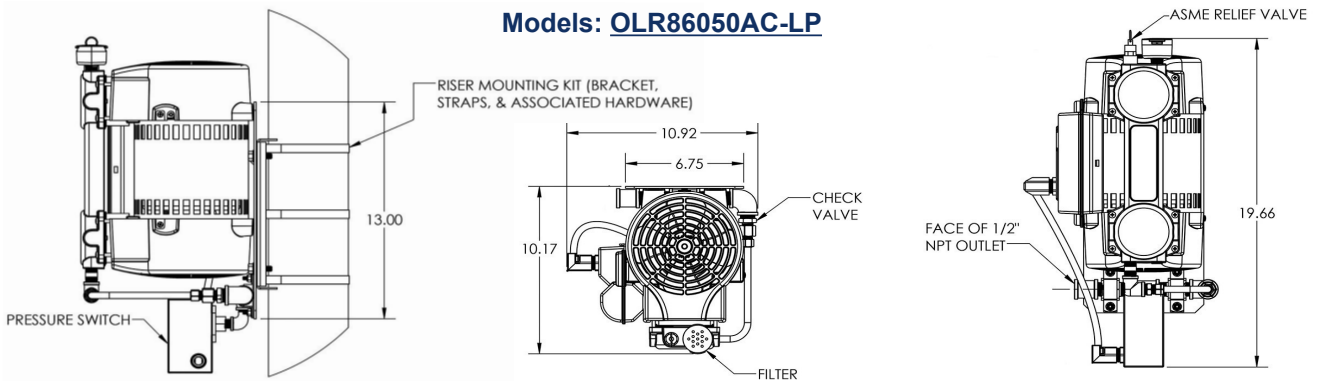
Model: OLR32016AC-LP



Model: OLR55033AC-LP



Models: OLR86050AC-LP



Models: OLR99075AC-LP

