



LIGHT-SERVICE COMMERCIAL ELECTRIC WATER HEATERS

Designed for light duty commercial applications with intermittent hot water loads.

GLASSLINED TANK

- Tank interior is coated with glass specially designed by State for water heater use.

HEATING ELEMENTS

- Two 4.5 KW zinc plated copper sheathed elements are standard.

STANDARD VOLTAGES

- The standard voltage is 240V single phase.

TOP MOUNTED RECESSED JUNCTION BOX

CONTROLS

- Thermostat is adjustable through a range of 120° to 181°F with a manual reset high temperature cutoff. The heater is wired for non-simultaneous single phase operation.

COREGARD™ ANODE ROD

- Our anode rods have a stainless steel core that extends the life of the anode rod allowing superior tank protection for longer than standard anode rods.

ENHANCED-FLOW BRASS DRAIN VALVE

- Solid brass, tamper resistant, enhanced-flow, ball type, drain valve.

MAXIMUM WORKING PRESSURE 150 PSI

FACTORY INSTALLED CSA CERTIFIED AND ASME RATED TEMPERATURE AND PRESSURE RELIEF VALVE

CERTIFIED TO UL 1453 FOR COMMERCIAL ELECTRIC WATER HEATERS

COMPLIANCE

- Meets the standby loss requirements of the U.S. Department of Energy and current edition of ASHRAE/IES 90.1.

WARRANTY

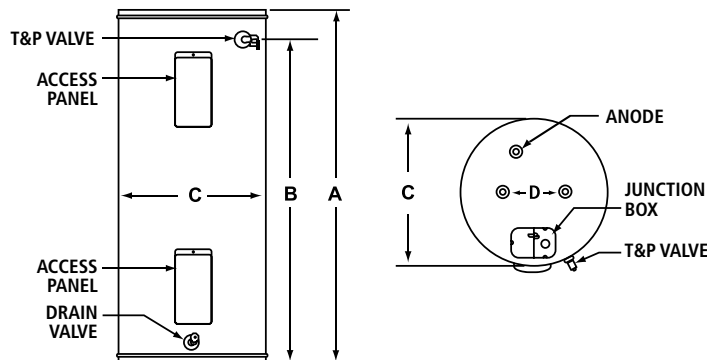
- 3-Year limited tank/1-Year limited parts.
- For complete information consult the written warranty or go to statewaterheaters.com.



Low Lead Content



SOLID. STATE.



PRODUCT SPECIFICATIONS

Model Number	Gallon Capacity	Standard Element Wattage 240 VAC	Dimensions in Inches				Approx. Shipping Weight (lbs)
			A	B	C Diameter	D	
EDT 66Z0RT	66	4500	60-1/4	53	22	8	146
EDT 80Z0RT	80	4500	60-1/2	52-1/4	24	8	175
EDT 120Z0RT	119	4500	61-1/2	54-1/2	28	8	268

Not available with top mounted T&P valve option.
Inlet and outlet connections: 3/4".

RECOVERY CAPACITIES

Element Wattage (Upper/Lower)	Input kW	U.S. Gallons/Hour and Liters/Hour at Indicated Temperature Rise												
		°F	36	40	54	60	72	80	90	100	108	120	126	°F
		°C	20	22.2	30	33.3	40	44.4	50	55.5	60	66.6	70	°C
Non-Simultaneous														
3000/3000	3	GPH	34	30	23	20	17	15	14	12	11	10	10	GPH
		LPH	128	115	85	77	64	58	51	46	43	38	37	LPH
3500/3500	3.5	GPH	40	36	27	24	20	18	16	14	13	12	11	GPH
		LPH	151	136	101	91	75	68	60	54	50	45	43	LPH
4000/4000	4	GPH	45	41	30	27	23	20	18	16	15	14	13	GPH
		LPH	170	153	114	102	85	77	68	61	57	51	49	LPH
4500/4500	4.5	GPH	51	46	34	30	25	23	20	18	17	15	14	GPH
		LPH	192	173	128	115	96	86	77	69	64	58	55	LPH
5000/5000	5	GPH	56	51	38	34	28	25	23	20	19	17	16	GPH
		LPH	213	192	142	128	107	96	85	77	71	64	61	LPH
5500/5500*	5.5	GPH	63	56	42	38	31	28	25	23	21	19	18	GPH
		LPH	237	213	158	142	119	107	95	85	79	71	68	LPH
Simultaneous														
3000/3000	6	GPH	68	61	46	41	34	30	27	24	23	20	19	GPH
		LPH	256	230	107	151	128	115	103	92	85	77	73	LPH
3500/3500	7	GPH	80	72	53	48	40	36	32	29	27	24	23	GPH
		LPH	302	272	201	181	151	136	121	109	101	91	86	LPH
4000/4000	8	GPH	90	81	60	54	45	41	36	32	30	27	26	GPH
		LPH	341	307	227	205	170	153	136	123	114	102	97	LPH
4500/4500	9	GPH	101	91	68	61	51	46	41	36	34	30	29	GPH
		LPH	384	345	256	230	192	173	153	138	128	115	110	LPH
5000/5000	10	GPH	113	101	75	68	57	51	45	41	38	34	32	GPH
		LPH	426	384	284	256	213	192	170	153	142	128	122	LPH
5500/5500*	11	GPH	125	113	84	75	63	56	50	45	42	38	36	GPH
		LPH	474	427	316	285	237	213	190	171	158	142	135	LPH

Available in 208 and 240 volts only. Voltage and wattage must be specified when ordering.
Standard factory wiring is for non-simultaneous operation. Simultaneous operation is optional.
* 5500 Watts not available in 208 Volts

SPECIFICATION

The water heater(s) shall be Model(s) No. _____ as manufactured by State or an approved equal. Heater(s) shall be rated at _____ kW, _____ volts, single-phase, 60 cycle AC, and listed by Underwriters' Laboratories. Models shall meet the standby loss requirements of the U.S. Department of Energy and current edition of ASHRAE/IES 90.1. Tank(s) shall be _____ gallon capacity. Heater(s) shall have 150 psi working pressure and be equipped with an extruded high density anode rod. All internal surfaces of the heater(s) exposed to water shall be glasslined with an alkaline borosilicate composition that has been fused-to-steel by firing at a temperature range of 1400°F to 1600°F. Electric heating elements shall be zinc plated copper sheath. Each element shall be controlled by an individually mounted thermostat and high temperature cutoff switch. The outer jacket shall be of baked enamel finish and shall enclose the tank with foam insulation. The drain valve shall be located in the front for ease of servicing. Heater tank shall have a three year limited warranty as outlined in the written warranty. Fully illustrated instruction manual to be included.

FOR MORE INFORMATION ON CALL 1-800-365-0024. STATE WATER HEATERS RESERVES THE RIGHT TO MAKE PRODUCT CHANGES OR IMPROVEMENTS WITHOUT PRIOR NOTICE.