

### Features

- Single-function oblong rainhead features Full Coverage with Katalyst technology, a drenching spray experience ideal for rinsing shampoo from hair
- MasterClean™ sprayface features an easy-to-clean surface that withstands mineral buildup
- Optimized sprayface for maximum performance
- 1.75 gpm (6.6 lpm) maximum flow rate at 80 psi (5.5 bar)

### Material

- Premium material construction for durability and reliability
- KOHLER finishes resist corrosion and tarnishing

### Technology

- Katalyst® air-induction technology infuses water with air, creating bigger drops for a more powerful spray

### Installation

- 1/2 -14 NPT connection
- Requires single-function rainhead shower arm and flange (sold separately)

### Water Conservation & Rebates

- This product can help a building earn Water Efficiency points in LEED® Green Building Rating System

### Required Products/Accessories

K-26319 3" ceiling-mount single-function rainhead arm and flange

or

K-26320 6" ceiling-mount single-function rainhead arm and flange

or

K-26321 12" ceiling-mount single-function rainhead arm and flange

or

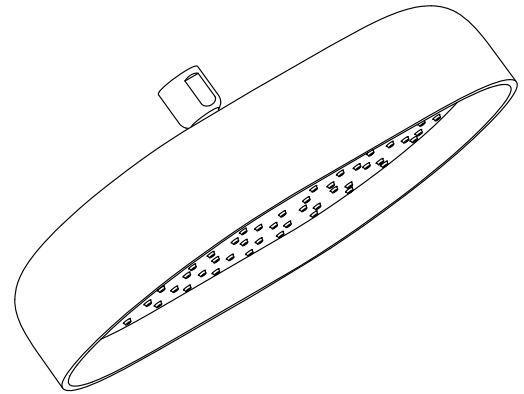
K-26322 15-1/2" wall-mount single-function rainhead arm and flange

or

K-26307 19" wall-mount single-function rainhead arm and flange

### Recommended Products/Accessories

K-23723 Faucet cleaner



### Codes/Standards

ASME A112.18.1/CSA B125.1  
DOE - Energy Policy Act 1992  
EPA WaterSense®  
California Energy Commission (CEC)

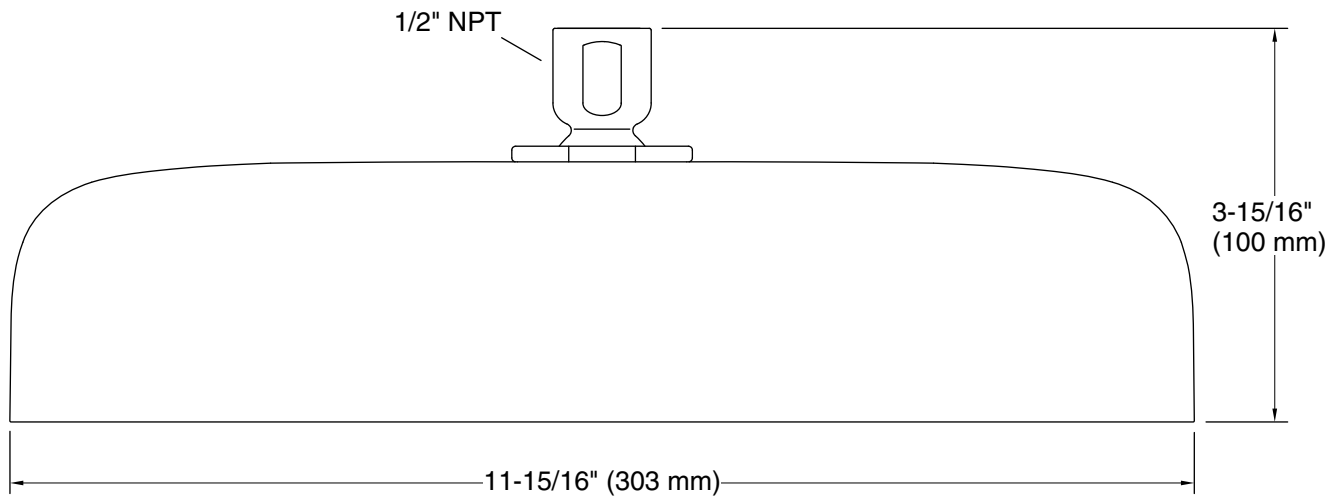
### KOHLER® Faucet Lifetime Limited Warranty

See website for detailed warranty information.

### Available Colors/Finishes

*Color tiles intended for reference only.*

| Color   | Code | Description                    |
|---|------|--------------------------------|
|  | CP   | Polished Chrome                |
|  | BN   | Vibrant® Brushed Nickel        |
|  | BL   | Matte Black                    |
|  | 2MB  | Vibrant® Brushed Moderne Brass |



**Technical Information**

All product dimensions are nominal.

**Showerhead/Body Spray:**

Rated maximum flow: 1.75 gal/min (6.6 l/min)

flow:

Pressure: 80 psi (5.5 bar)

**Notes**

Install this product according to the installation instructions.