

Features

- Unique rainhead design reveals faucet stream flowing into wide-nozzle face plate, releasing a thick curtain of water.
- Full Coverage Rain uses gravity to deliver a soft flow of water, providing a gentle spray experience reminiscent of natural rainfall.
- Self-leveling ball joint keeps rainhead parallel to the ground for steady coverage.
- Optimized sprayface for maximum performance.
- 2.5 gpm (9.5 lpm) maximum flow rate at 45 psi (3.1 bar).

Material

- Premium material construction for durability and reliability.
- KOHLER finishes resist corrosion and tarnishing.

Installation

- 1/2 -14 NPT connection.
- Requires ceiling-mount single-function rainhead arm and flange (sold separately).

Required Products/Accessories

K-26319 3" ceiling-mount rainhead arm and flange

or

K-26320 6" ceiling-mount rainhead arm

or

K-26321 12" ceiling-mount rainhead arm and flange

or

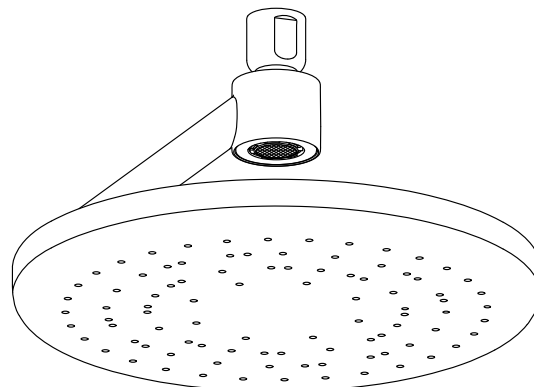
K-26322 16" wall-mount rainhead arm and flange

or

K-26307 19" wall-mount rainhead arm and flange

Recommended Products/Accessories

K-23723 Faucet cleaner



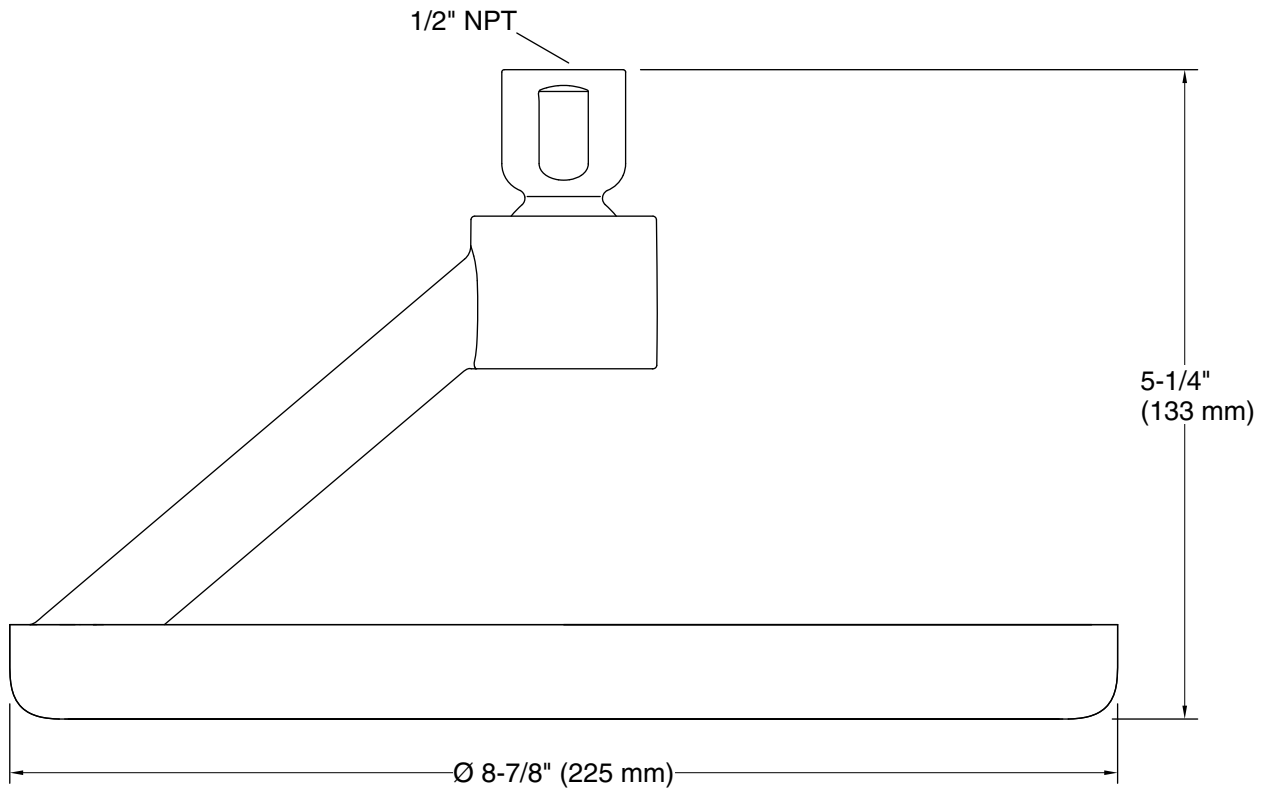
Codes/Standards

ASME A112.18.1/CSA B125.1

DOE - Energy Policy Act 1992

KOHLER® Faucet Lifetime Limited Warranty

See website for detailed warranty information.



Technical Information

All product dimensions are nominal.

Showerhead/Body Spray:

Rated maximum flow: 2.5 gal/min (9.5 l/min)

Pressure: 45 psi (3.1 bar)