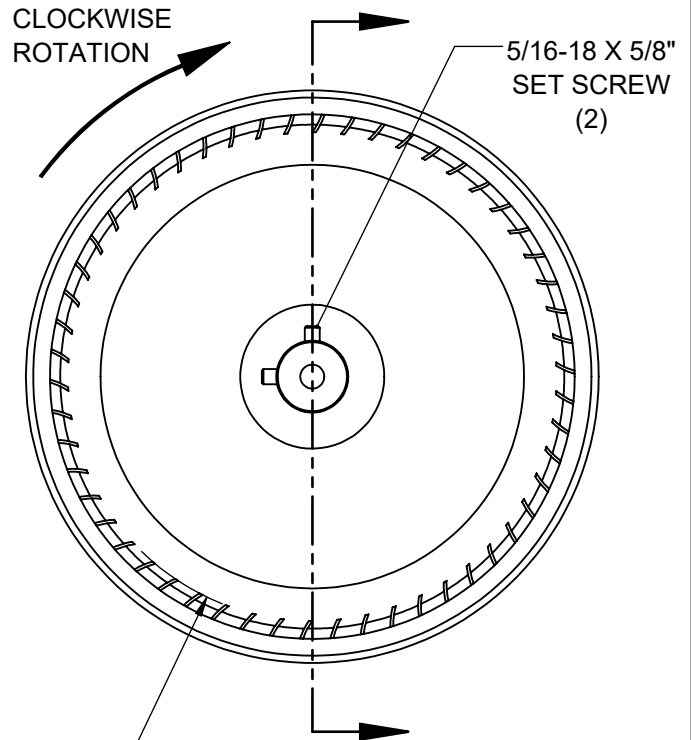


Blades not shown for clarity



Ø 10.18 REF.

PD706272

03-56231 11-11 DD .50 CLW CC MP-C
12-Jul-13 14:45:57 #44 #990 01A

0832608371213M28

LABEL FORMAT

NOTES:

1. ALL DIMENSIONS IN INCHES
2. NO KEYWAY
3. FINISH: GALVANIZED
4. MATERIAL: STEEL
5. TOLERANCE (2PL.): ±.060
6. AVG WT. (CLACULATED) W/.50 DIA HUB BORE. VARIATION CAN BE ± 11%
7. PD 706272 IS USED ON BLOWER HOUSING 70-106697-01

RHEEM P/N	MORRISON P/N	O.D. (IN.)	DIM A WIDTH (IN.)	NOMINAL SIZE	NO. BLADES	DIM B SET BACK (IN.)	HUB BORE DIA. (IN.)	ROTATION (HUB SIDE)	DISC SHAPE (HUB SIDE)	NO. OF SET SCREWS	WEIGHT (LBS.) SEE NOTE 6
PD706272	03-56231 (A)	11.93	11.93	11 X 11	54	5.97	0.50	CW	CONCAVE	2	7.3

<p>CONFIDENTIAL</p> <p>THIS PRINT, AND THE SPECIFICATIONS CONTAINED IN IT, IS THE PROPERTY OF RHEEM MANUFACTURING AND HAS BEEN ISSUED WITH THE UNDERSTANDING THAT IT WILL NOT BE REPRODUCED, REVEALED TO, OR USED FOR THE MANUFACTURE FOR OTHERS, AND WILL BE RETURNED UPON REQUEST.</p>	<p>STANDARD TOLERANCE UNLESS OTHERWISE SPECIFIED</p> <p>FRACTIONAL: ± 1/32 ANGULAR: ± 2° DECIMAL: 2 PL = ±.030 3 PL = ±.010 DIMENSIONS IN () REF. ONLY</p>	<p>R E V I S I O N S</p>	NO REVISION TO DESIGN, MATERIAL, TOOLING, OR PROCESS IS ACCEPTABLE WITHOUT PRIOR APPROVAL FROM RHEEM THROUGH A REVISED ENGINEERING SPECIFICATION AND A RESAMPLING OF PARTS. THE SUPPLIER IS RESPONSIBLE FOR NOTIFYING RHEEM PARTS DIVISION IN WRITING OF ANY CHANGES AFFECTING PRODUCT QUALITY, PERFORMANCE, RELIABILITY, PACKAGING, DELIVERY, OR WORKMANSHIP. ANY DOCUMENTS REFERRED TO ON THIS DRAWING ARE INCLUDED IN THE SPECIFICATIONS FOR THIS COMPONENT.		ALL DIMENSIONS ARE IN INCHES UNLESS OTHERWISE SPECIFIED

<p>Replacement Parts Division</p>	<p>MODELED BY: JNF APPROVED BY:</p>	<p>DATE: 9-29-2020 DATE:</p>	<p>ALL BENDS ARE 90° UNLESS OTHERWISE SPECIFIED</p>	<p>PART NO. SHEET 1 OF 1</p>	<p>REV.</p>
	<p>BLOWER WHEEL 11 11 DD 0.50 CLW CC WHL</p>			<p>PD706272</p>	<p>-</p>

PRELIMINARY PRINT - FOR REVIEW ONLY

PRELIMINARY PRINT - FOR REVIEW ONLY