

LED Outdoor Luminaires

Wall Mount

120VAC / 60Hz

Part #: TPUW1100L50FW
TPUW700L50WH

Safety Precautions

- Read all safety precautions and installation instructions carefully before installing or servicing this fixture. Failure to comply with these instructions could result in potentially fatal electric shock and/or property damage.
- It is recommended that a qualified electrician perform all wiring. This fixture must be wired in accordance with all national and local electrical codes.
- Do not handle any energized fixture or attempt to energize any fixture with wet hands or while standing on a wet or damp surface or in water.
- This fixture is designed for use in a 120VAC, 60Hz fused circuit. This fixture is not compatible with dimming circuits.
- To reduce the risk of electrical shock, and to assure proper operation, this fixture must be adequately grounded. To accomplish proper grounding, there must be a separate ground wire (green) contact between this fixture and the ground connection of your main power supply panel.
- This fixture is intended to be used for general outdoor lighting in dry, damp or wet locations. For wet locations, fixture must be mounted at least 48 inches above the ground level.
- Disclaimer
Changes or modifications not expressly approved by the party responsible for compliance could void the user's authority to operate the equipment. NOTE: This equipment has been tested and found to comply with the limits for a Class B digital device, pursuant to Part 15 of the FCC Rules and Canadian ICES-005 (B) / NMB-005 (B). These limits are designed to provide reasonable protection against harmful interference in a residential installation. This equipment generates uses and can radiate radio frequency energy and, if not installed and used in accordance with the instructions, may cause harmful interference to radio communications. However, there is no guarantee that interference will not occur in a particular installation. If this equipment does cause harmful interference to radio or television reception, which can be determined by turning the equipment off and on, the user is encouraged to try to correct the interference by one or more of the following measures:
 - Reorient or relocate the receiver antenna.
 - Increase the separation between the equipment and receiver.
 - Connect the equipment into an outlet on a circuit different from that to which the receiver is connected.
 - Consult with the dealer or an experienced radio/TV technician for help.

Any modifications to this fixture may void the warranty and interfere with the safe operation of the luminaire.

Operation is subject to the following two conditions: (1) this device may not cause interference, and (2) this device must accept any interference, including interference that may cause undesired operation of the device.

Assembly Instructions

Step 1 - Preparing for installation.

- A. **Disconnect electrical power** at fuse or circuit breaker box before installing or servicing any part of this fixture.
- B. Carefully remove the fixture from the carton and check that all parts are included.
- C. Mount the gem bar (2) to the junction box, (not included) with two screws (1) as shown.
- D. Thread stem (4) into the gem bar so that about 5/8" is exposed from the gem bar. Secure stem with hardware (3).

Wiring-all wiring must take place inside junction box (not included).

Caution: Make sure power is off at fuse or circuit breaker box. Check power wires for damage or scrapes. Use wire suitable for at least 90°C (194°F).

Note: Most dwellings built before 1985 have supply wire rated to 60C. Consult a qualified electrician before installing.

Step 2 - Wiring fixture.

- A. Make all wire connections to appropriate wire. Secure with wire nuts (provided).
- B. Connect the green ground wire from the fixture to the supply power source ground wire.
- C. Connect the black wire from the fixture to the black (L) wire from supply power source.
- D. Connect the white wire from the fixture to the white (N) wire from supply power source.
- E. Tuck all connections neatly into the junction box.

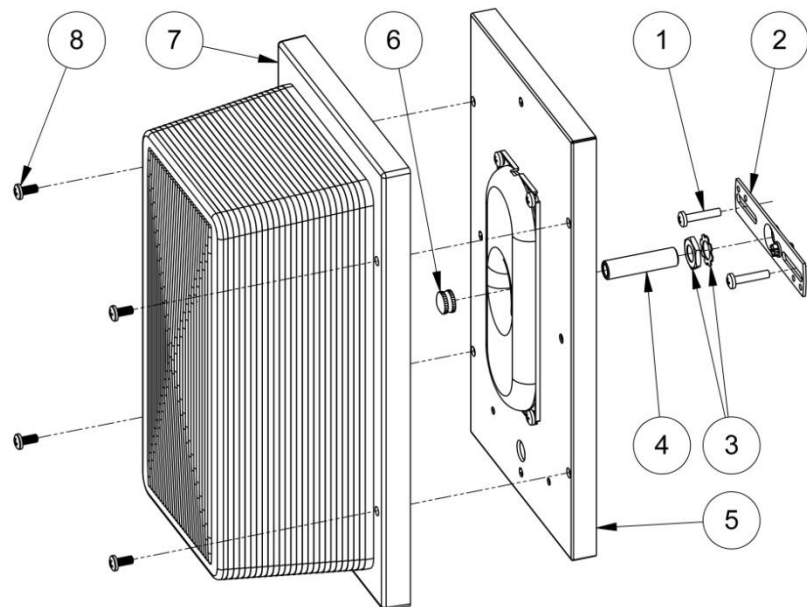
Step 3 - Mounting.

- A. Align the back pan (5) center hole over stem (4) from the gem bar (2). Secure with thumbscrew (6) with fixture in desired position.
- B. Secure diffuser (7) with four screws (8).

Step 4 - For wet location use.

- A. Apply a small amount of silicone (not included) per manufacturer's instruction around screws (8), around the diffuser (7) and pan (5) where it contacts with the surface of the wall on top and two sides, but not on bottom.

Step 5 - Restore power at fuse or circuit breaker box.



16Watt version shown for reference only. Individual models may vary.

Limited Factory Warranty

This product is manufactured by AFX Inc. AFX warrants this fixture is free from defects in materials and workmanship when installed and used under normal operating conditions for a period of 5 years from date of purchase. This warranty covers all component parts and extends only to replacement of defective fixture or components; it does not cover failure due to improper installation, misuse, mishandling or damage incurred in transit. For questions, please call AFX at 1-800-873-2326.