

## Parts Breakdown

### Gilpin Series

# 1.0 gpf High-Efficiency Toilet with Pressure-Assist Tank



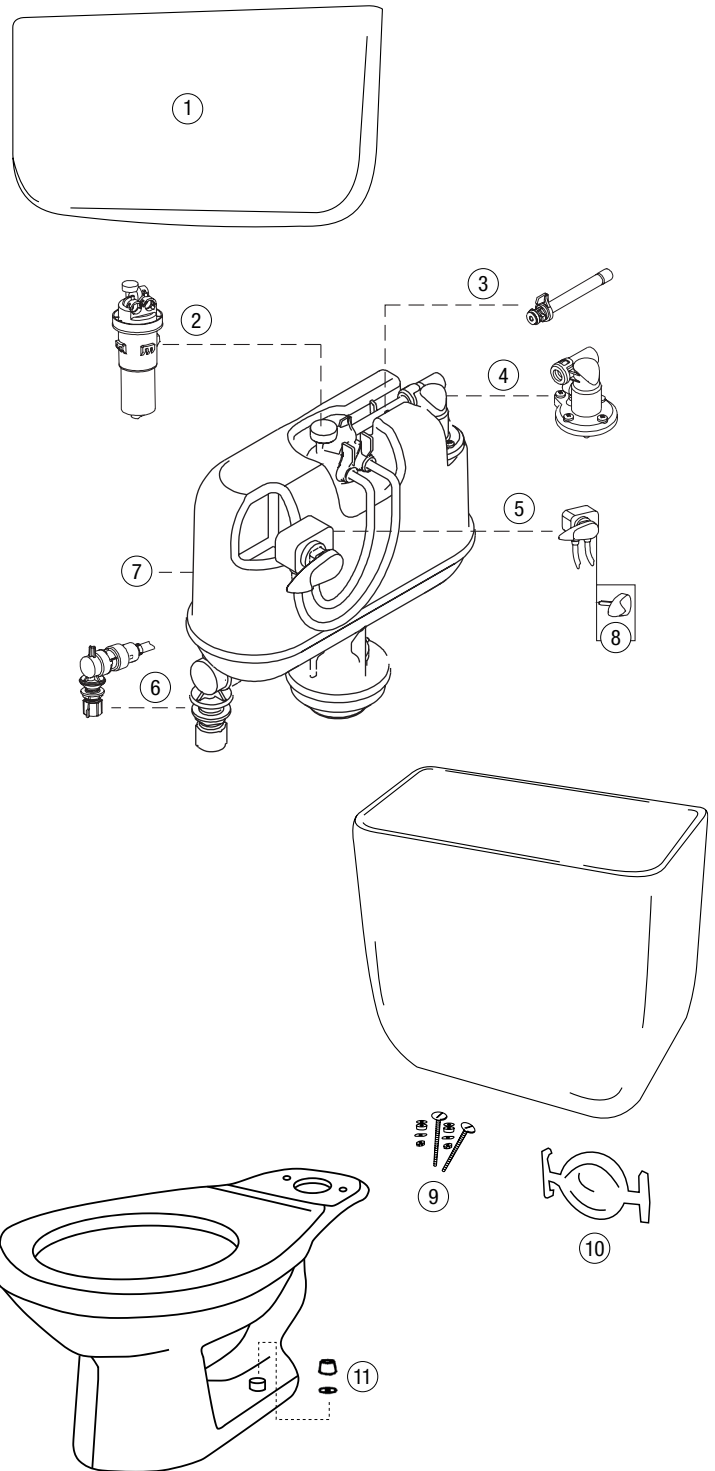
**PF1612PAWHA**  
Shown with PF1603PAWH bowl

### Codes and Certifications



### Parts

| No. | Description               | Part Number               |
|-----|---------------------------|---------------------------|
| 1   | Tank lid                  | PF1612PALIDWH             |
| 2   | Flush valve cartridge     | PF1600PA3                 |
| 3   | Hose, quick couple supply | PF1600PA6                 |
| 4   | Upper supply assembly     | PF1600PA5                 |
| 5   | Flush control valve       | PF1612PACVLH/PF1612PACVRH |
| 6   | Lower supply assembly     | PF1600PA8                 |
| 7   | Vessel                    | PF1600PA2                 |
| 8   | Handle                    | PF1612PATL                |
| 9   | Tank-to-bowl bolts        | PF025                     |
| 10  | Tank-to-bowl gasket       | PF1612TGPK                |
| 11  | Bolt cap & washer         | PFBC43                    |



Visit [ferguson.com/PROFLO-vitreous-china-warranty](https://www.ferguson.com/PROFLO-vitreous-china-warranty) for detailed warranty information.