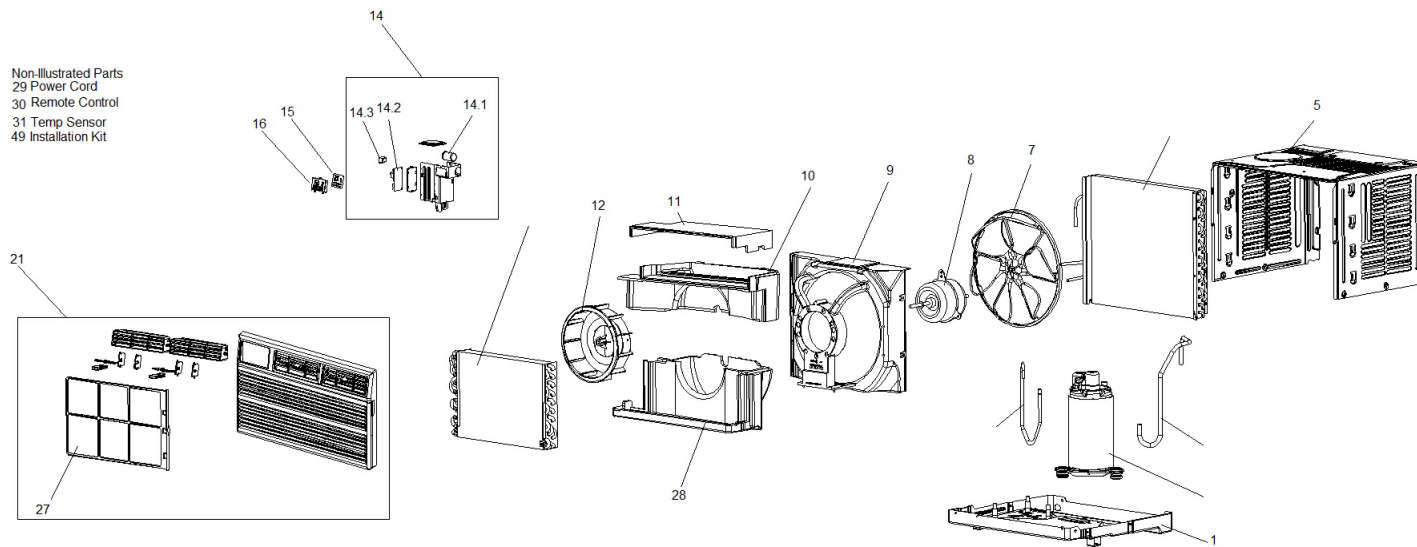



CCF08B10A


CCF08B10A

N.	Part Number	Description	Qty	
1	68000499	Base	1	
5	68000012	Cabinet	1	
7	68000018	Propeller Fan	1	
8	68000494	Fan Motor	1	
9	68000053	Back Partition Plate	1	
10	68000505	Middle Vortex Shell	1	
11	68000503	Up Vortex Shell	1	
12	68000016	Centrifugal Fan	1	
14	68000579	Electrical Box Assy	1	
14.1	68000493	Compressor Capacitor	1	
14.2	68000462	Main PCB	1	
14.3	68000040	Transformer	1	
15	68000029	Display PCB	1	
16	68000120	Control Box Panel	1	
21	68000575	Front Panel Assy	1	
27	68000014	Air Filter	1	
28	68000504	Down Vortex Shell	1	
29	68000020	Power Supply Cord	1	
30	68000036	Remote Control	1	
31	68000463	Sensor	1	

CCF08B10A

N.	Part Number	Description	Qty	
49	68000577	Installation Kit	1	