

Specifications

PFWSC8852

ORRS SINGLE HANDLE LAVATORY FAUCE



Product Features

- Flow rate: 1.2 GPM (4.54 L/min) at 60 PSI
- Metal lever handle
- Ceramic Disc Cartridges
- Metal Pop-up Assembly
- Quick-mount system
- Certified to ASME A112.18.1 / CSA B125.1
- cUPC/IAPMO listed
- ADA compliant
- EPA WaterSense certified
- NSF/ANSI/CAN61: Q < 1

Model Numbers:

- PFWSC8852CP Chrome
- PFWSC8852ZBN Brushed nickel
- PFWSC8852MB Matte black

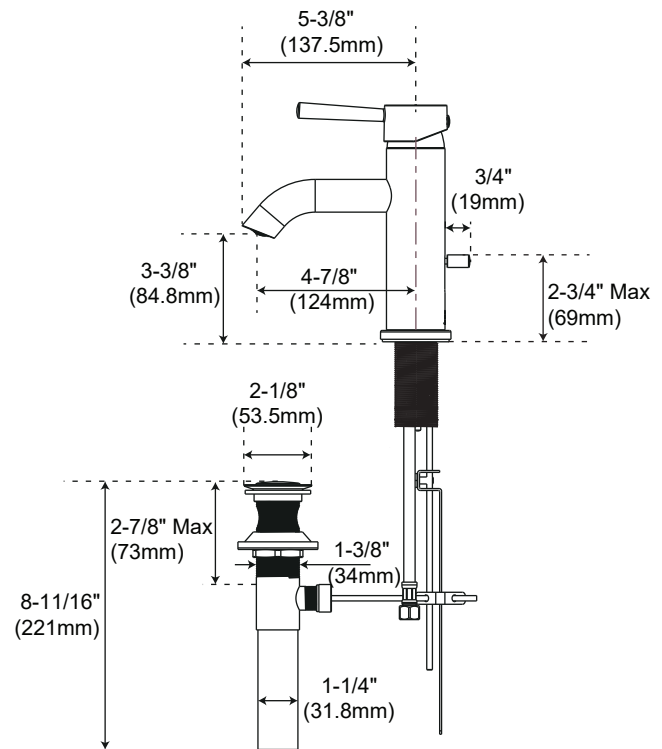
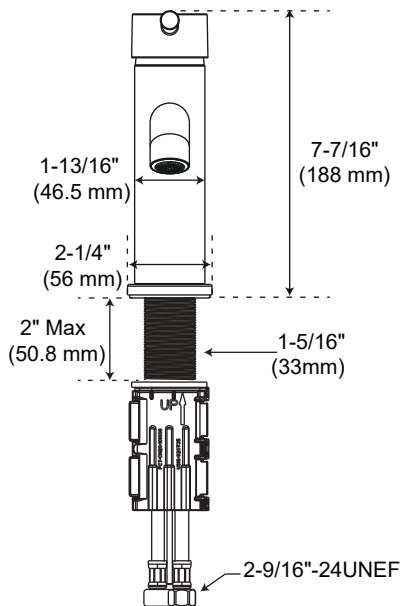


PFWSC8852CP

Optional Parts

- OBPF15Y0261500* Deck plate
- OBPF1121010221021 Metal mounting nut

Product Specifications



* All measurements are nominal. Please verify before actual installation.

Warranty and Codes

This product comes complete with installation, operating, care and maintenance instructions. This PROFLO faucet carries a limited lifetime warranty when installed in residential applications. The warranty is five years in commercial applications. This product meets ASME: A112.18.1. Compliant with lead content requirements of US Senate Bill S.3874

