

**PFWSC8852**

**ORRS SINGLE HANDLE  
LAVATORY FAUCET**



**Model Numbers**

**PFWSC8852CP** Chrome

**PFWSC8852ZBN** PVD brushed nickel

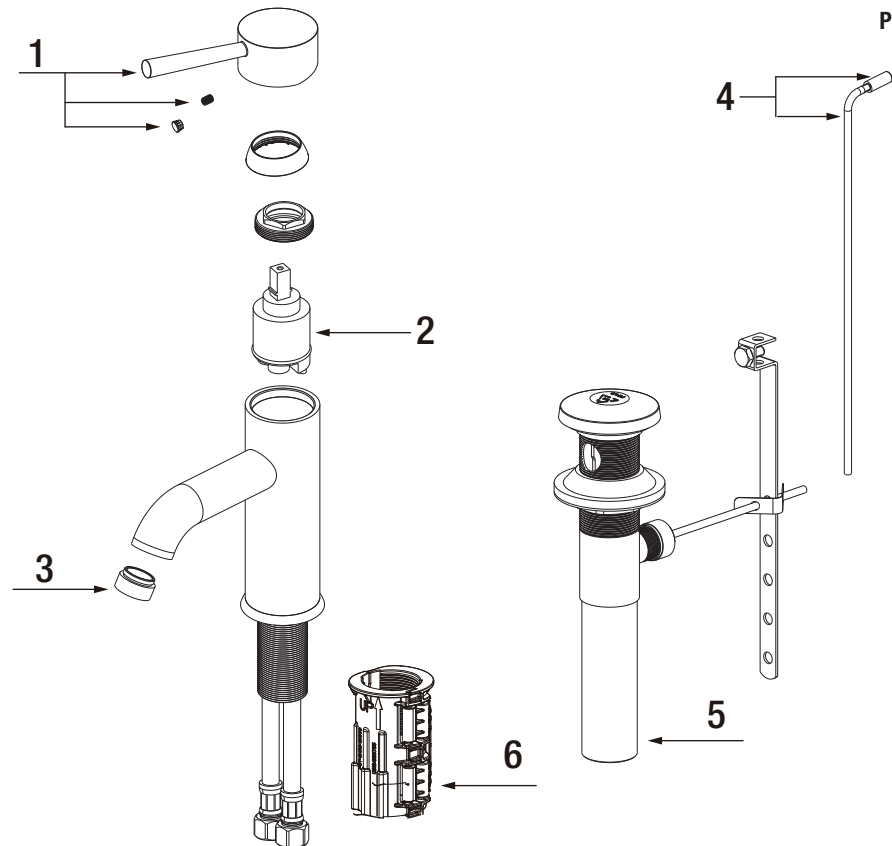
**PFWSC8852MB** Matte black

No.	Part Name	Part Number	Material
1	Handle	OBPF75Y0315900*	Metal
2	Cartridge	OBPF25D0005300PLO	Plastic
3	Aerator	OBPF55E0003800PLO	Plastic
4	Lift Rod	OBPF95Y0316000*	Metal
5	Drain	OBPF95Y0M008801*	Metal
6	Quick Nut	OBPF15T1019701PLO	Plastic



**PFWSC8852CP**

\* Specify Finish



**Warranty and Codes**

This product comes complete with installation, operating, care and maintenance instructions. This PROFLO faucet carries a limited lifetime warranty when installed in residential applications. The warranty is five years in commercial applications. This product meets ANSI: A112.18.1.

