

ORRS

# PFWSC8852 SINGLE HANDLE LAVATORY FAUCET



## Product Features

- Max. flow rate: 1.2 gpm (4.54 L/min) at 60 psi
- Metal lever handle
- Ceramic disc cartridge
- Metal pop-up drain assembly
- Quick-mount system
- With 3/8" compression x 29" flexible connectors

## Optional Parts

Deck Plate	OBPF15Y0261500*
Metal Mounting Nut	OBPF1121010221021
Drain Lift Rod Extension	PF351NA
0.5 GPM Aerator	Neoperl 43.2259.450
1.0 GPM Aerator	Neoperl 43.2258.010

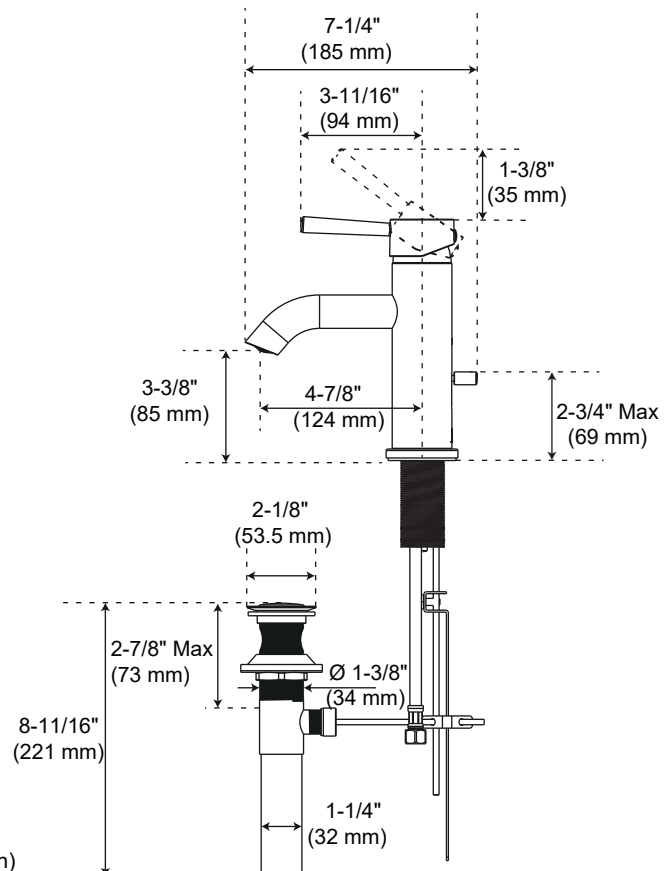
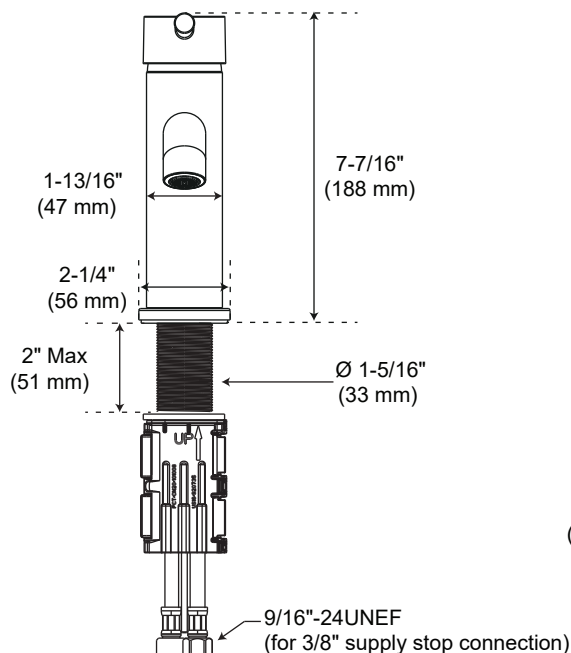


## Codes and Certifications

PFWSC8852



- Certified to ASME A112.18.1 / CSA B125.1
- cUPC/IAPMO listed
- Handle ADA compliant
- NSF/ANSI/CAN 61: Q ≤1
- EPA WaterSense certified



For detailed warranty information, visit [ferguson.com/proflo-faucet-warranty](https://ferguson.com/proflo-faucet-warranty).