

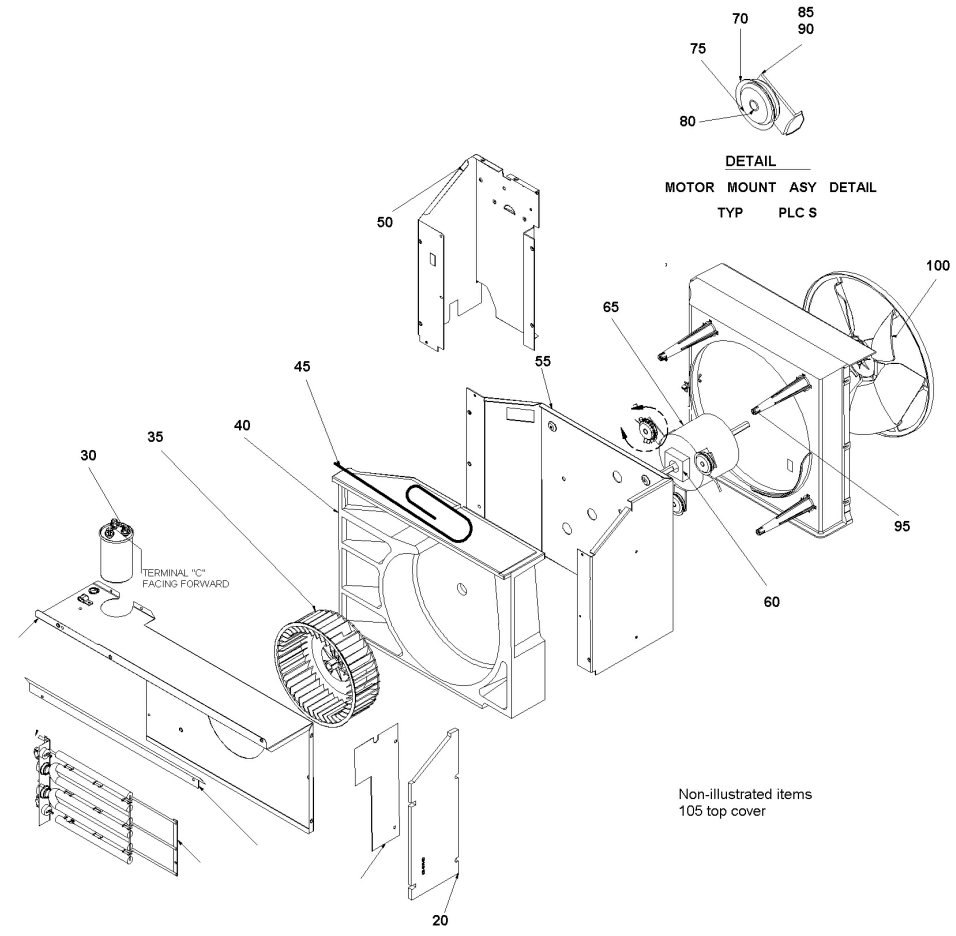
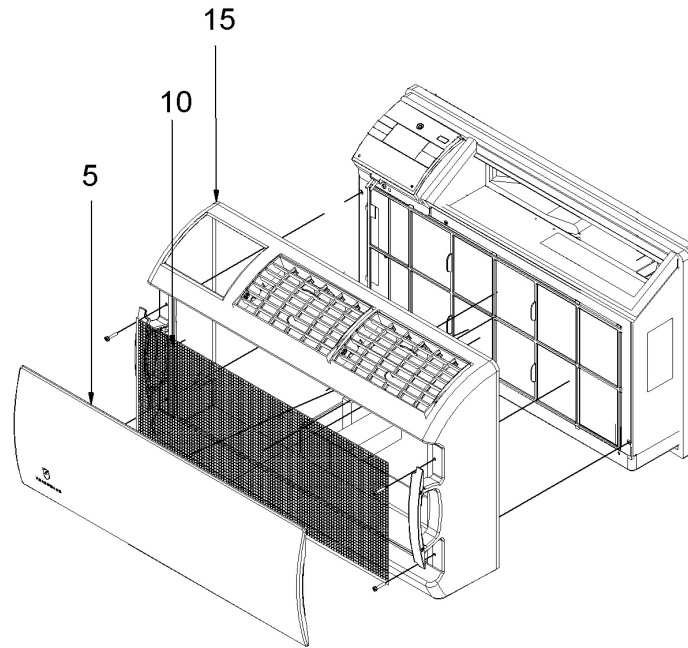
WCT12A10B BLOWER


Figure 903 (Blower Module)

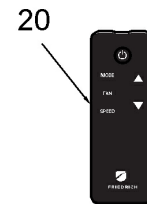
WCT12A10B BLOWER

N.	Part Number	Description	Qty
20	62101400	Insul R/Side Ttw	1
30	61080605	Capctr 70/10 Mf 370V 2.5	1
35	60610626	Wheel Blwr 7.00X6.43X3X59	1
40	62102100	Scroll Ttw	1
45	60500382	Supply Cord 15A 125V 14Awg Str Ele	1
50	62100150	L/S Panel 05 Wlmstr	1
55	62108800	Innerwall Spotweld Assy	1
60	60217902	Seal Fan Mtr To Inner Wall	1
65	61871476	Mtr 1/5 1 4P Ccw 2 Psc 10 Wm	1
70	60640600	Cup Retainer	1
75	60640500	Grommet Biscuit #64045	1
80	1336910	SIEEVe 7/16 11- 32X9/16 Pr 258	1
85	91100700	Washer Conical	1
90	91003000	Nut Hex .312-18 Self Locking	1
95	62102000	Shroud Ttw	1
100	62101505	Fan 13? Cw 6Bl .500	1


WCT12A10B EXTERIOR PARTS



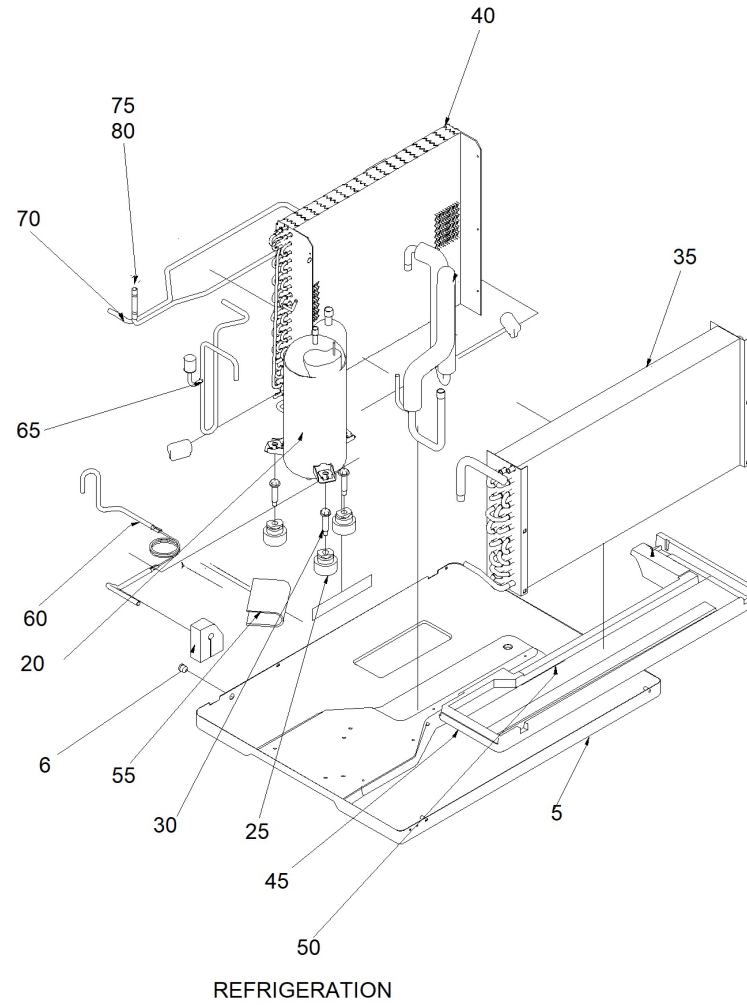
- Non-Illustrated Parts
25 Gasket
30 Gasket
35 Drain Tube
40 ASSY KIT DECO FRONT



WCT12A10B EXTERIOR PARTS

N.	Part Number	Description	Qty	
5	61612706	Intake Grille Wm	1	
10	60865812	Filter Air W/M	1	
15	61607012	Assy Deco Front W/ Seal Gasket (Wmt) 2019	1	
20	62602100	RAC Gen Iv - Remote Control Unit- - Xyx-0601	1	
25	61717306	Gasket Chassis Seal Long	1	
30	61717307	Gasket Chassis Seal	1	
35	62106500	Drain Tube	1	
40	62400903	Assy Kit Deco Front Wmt 2019	1	

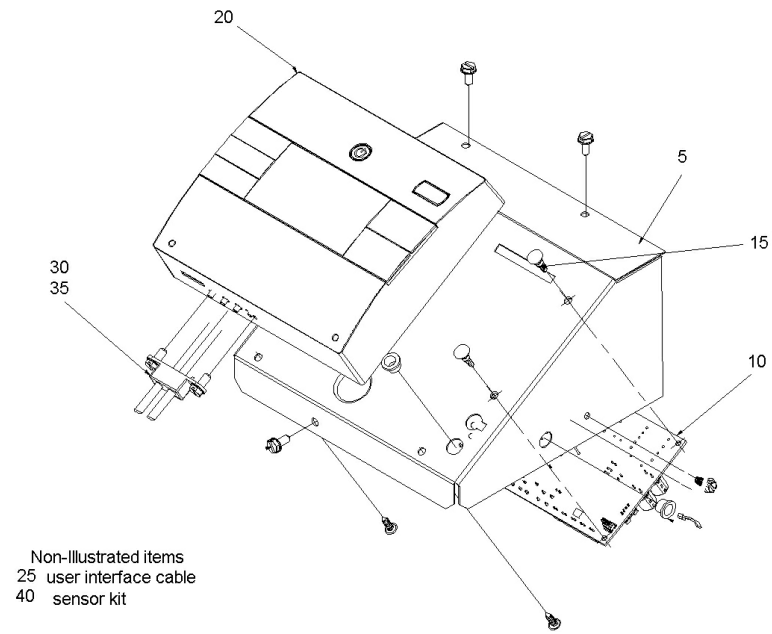
WCT12A10B REFRIGERATION



WCT12A10B REFRIGERATION

N.	Part Number	Description	Qty
5	62100914	Basepan Assy	1
6	62105802	Basepan Plug	1
10	62104639	Suction Tube Assy, Item Is Non-Stocked, Will Normally Require 2-3 Weeks Lead Time	1
15	62101000	Grommet, Suct Tube	1
20	61717192	Compressor Replacement Kit, Compr Pn 62200150	1
25	61028904	Compressor Grommet	1
30	91400402	Stud Comp Mtg	1
35	61896216	Evaporator Coil Assy, Wes.312X4X16Rc2V45A23X11H6	1
40	61850207	Condensor Coil Assy, Wcs5Mmx5X18Xc9X39A17H0	1
45	62101901	Drainpan Assy	1
50	62106200	Drainpan Heat Shield	1
55	61883102	Pad Isolation 3X6	1
60	TBD	Fresh Air Box Service Kit	1
65	62104637	Discharge Tube Assy	1
70	61762222	Sump Tube Assy	1
75	61835001	Strainer Holder	1
80	61834800	Strainer .312 Coil	1

WCT12A10B USER INTERFACE



User Interface

WCT12A10B USER INTERFACE

N.	Part Number	Description	Qty
5	62100007	Panel Control Mounting Wm 2019	1
10	67000181	Electronic Control Board Kit, RAC Master Power/Relay Module Smpls - 3Sp/Cool (Pn 62603074), Pin, Circuit Board 4 Ea (Pn 61600527)	1
15	61600527	Standoff Pin Circuit Board Kcq'S 2019	1
20	670000209	Wallmaster User Interface Kit, Front Panel Assy (Pn 62606058), U/I Cable (Pn 62603092), Button Housing (61607020), 61607021 (Pin Button)	1
25	62603092	RAC Gen Iv - User Interface Cable Q/Wm Kuhl	1
30	61607020	Button Housing	1
35	61607021	Pin Button	1
40	67000208	Sensor Kit, Sensor Id Coil Temp (Yl) Gen3 (Pn 62600213), Sensor Od Coil Temp (Bl) Gen3 (Pn 62600214), Sensor Indr R/A Temp (Wt) Gen3 (Pn 62600217), Sensor Disch Temp (Bk) Gen3 (Pn 62600216)	1