

**PLEASE READ THESE INSTRUCTIONS COMPLETELY  
BEFORE INSTALLING THIS PRODUCT.**

For product or installation questions please call customer service  
at **1-855-480-2915** or email at **infoservice@miseno.com**

You must follow all instructions in this manual. Failure to do so will result in your assumption of liability and will void the warranty. It can also result in product damage or personal injury.

Failure to use a suitable setting compound will void the warranty.

This product is designed to be installed by a licensed tradesman. Licensed plumbers and electricians should be employed to insure proper installation. Installers assume all liability for the correct installation procedures.

Only accessories authorized by the manufacturer should be used with this product. This product is designed for residential use by healthy individuals.

Important safety instructions: **WARNING! When using this product, basic precautions should always be followed. Read and follow all instructions pertaining to risk of fire, electric shock, or injury to persons.**

INSTALLER: Leave this manual for the homeowner.

HOMEOWNER: Read this manual and keep for future reference if needed.

**WARNING**

Important safety instructions.

When using this product, basic precautions should always be followed. Read and follow all instructions pertaining to risk of fire, electric shock, or injury.

**WARNING**

Risk of Personal Injury.

Do not permit children to use this unit without adult supervision.

**WARNING**

Risk of Personal Injury.

Do not operate whirlpool units without guard over suction fitting.

**WARNING**

Risk of Hypothermia and Possible Drowning.

People using medications and/or having adverse medical history should consult a physician before using this product.

**WARNING**

Risk of Personal Injury.

Do not overfill unit before entering. Entering tub when filled more than 2/3 can cause an overflow and slippery conditions. Exercise caution when entering and exiting.

**WARNING**

No Food or Alcoholic Beverages.

Use of your bathtub immediately after meals is not recommended. Avoid alcohol consumption before or during bathing. Alcoholic beverages can cause drowsiness or hypothermia resulting in loss of consciousness or even drowning.

**WARNING**

Pregnancy.

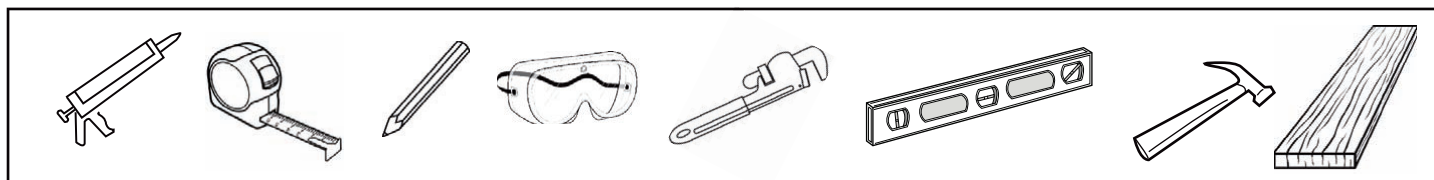
If you are or think you may be pregnant, consult your physician before using this bathtub.

THIS PRODUCT IS INTENDED FOR INDOOR USE ONLY.

## BEFORE BEGINNING

- Carefully read the instructions before beginning installation.
- Observe all local building and plumbing codes.
- To protect the unit during installation, we recommend that you lay a piece of cardboard underneath the bathtub.
- Place the unit in the bathroom before you start working. If the unit is covered with a polyethylene protective film, do not remove it until the installation is complete for maximum protection. However, remove film where two surfaces will be in permanent contact.
- It is strongly recommended that this installation be performed by a professional plumber or contractor.
- A minimum of two people are needed to perform this installation.
- Provide a minimum of 1800 lb (816.5kg) floor support under the bathtub.
- This bathtub is designed for a freestanding installation only.

## RECOMMENDED TOOLS AND MATERIALS

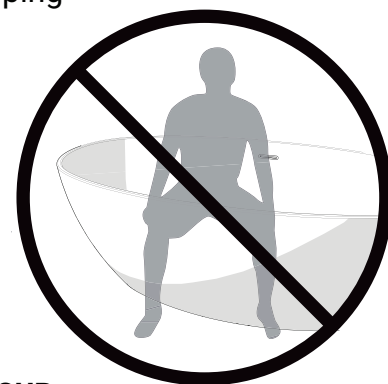


### Inspection:

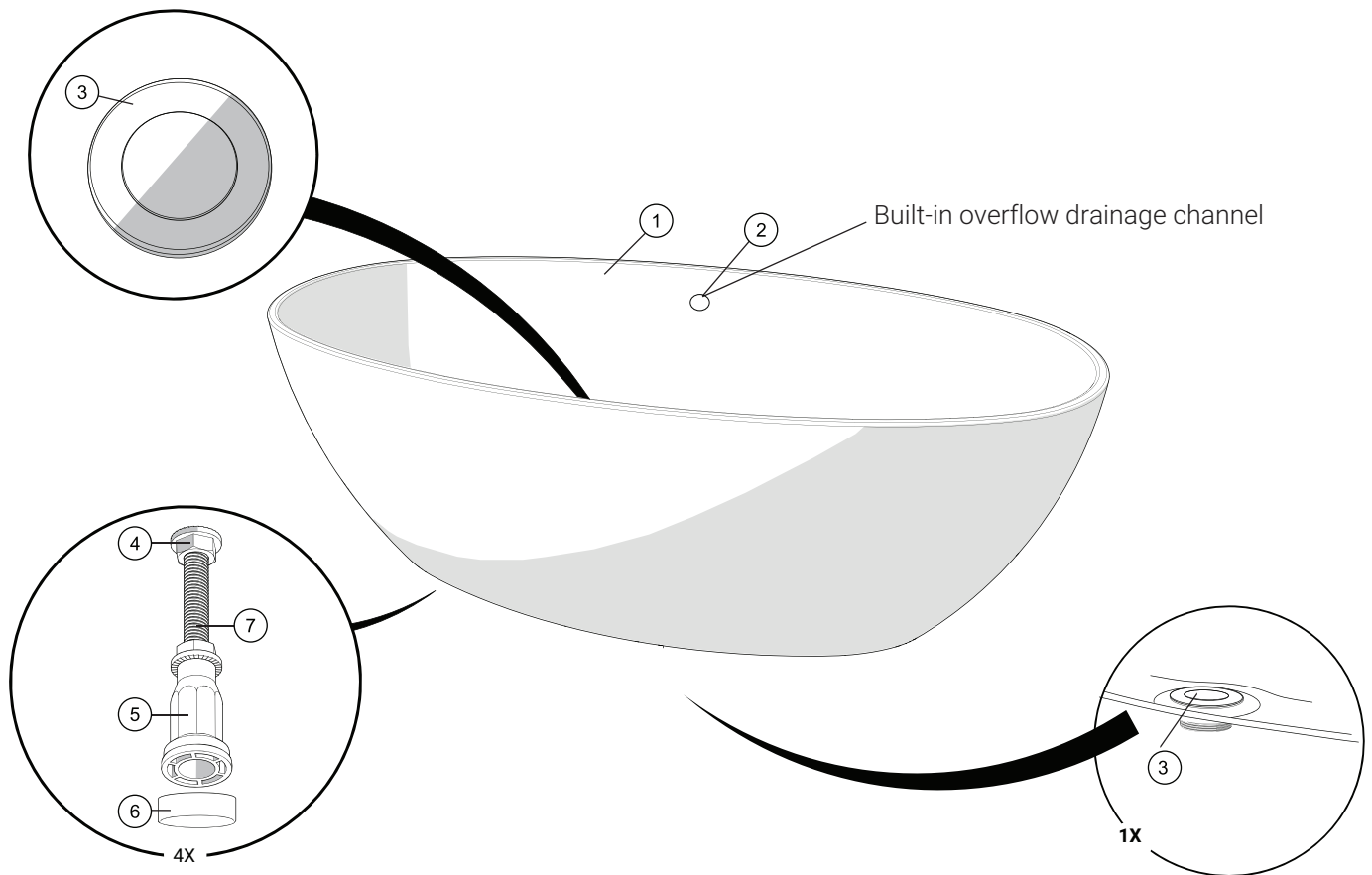
- Remove the tub from the carton. Retain the shipping carton until product is satisfactory. Do not lift the tub by the plumbing at any time, handle by the shell only. All tub units are factory tested for proper operation and watertight connections prior to shipping.
- Inspect the shell and tub components. Should inspection reveal any damage or defect in the finish, or visible damage to any components, do not install the tub. Damage or defects in the finish that are claimed after the tub has been installed are excluded from the warranty.
- Inspect the tub for loose fittings.

### Testing:

- Prior to installation, and before enclosing with wallboard, tile, etc, the bath must be filled with water and operated to check for leaks that may have resulted from shipping or mishandling.
- It is the responsibility of the installer to thoroughly test the tub prior to completing installation. Place the tub on a level surface, ensure drain is sealed and fill the bathtub with water to the bottom of the overflow. Allow water to sit in tub for at least 5 minutes as a static test. If installing a system tub, plug in the motor/pump and turn it on. Confirm all features function correctly. Visually inspect all joints for leaks. DO NOT install tub if any leaks or detected or systems do not work properly.



**DO NOT SIT ON EDGE OF BATHTUB, SINCE DAMAGE OR INJURY MAY OCCUR.**



#	Part	Qty
1	Bathtub	1
2	Overflow	1
3	Drain	1
4	Hex Locknut	8
5	Adjustable Feet	4
6	Adjustable Feet Cap	4
7	Adjustable Thread	4

## PRE-INSTALLATION

### Plumbing:

Make sure you install all plumbing, and drainage before securing the unit. It is always recommended to have a certified professional to perform the installations. Before drilling a hole in the floor for your drain pipe, ensure that there are no hidden elements beneath (pipes, floor joists, heating ducts, electrical wires, etc).

### Leveling and Support:

The floor must be level for proper installation of your freestanding tub. Once the unit is in position, ensure that it is level in both directions for proper draining to occur.

### Drain Installation:

If your freestanding tub is equipped with an integral slotted overflow and pop-up drain, your drain will be fitted with a 1-1/2" NPT outlet on the bottom outlet. A 1-1/2" ABS MIP adapter can be used to adapt to in-floor plumbing if access from under the floor is available.

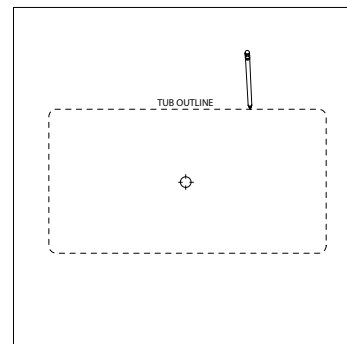
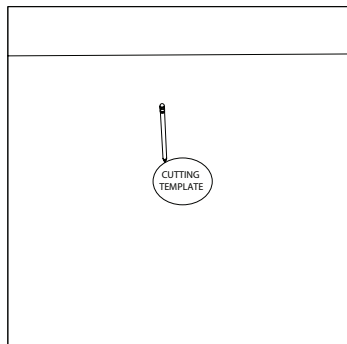
Check your tub model as most Miseno freestanding tubs come equipped with integral slotted overflows and pop-up drains. If your tub does not include a drain, make sure that the waste and overflow you choose is adequate for the installation. Your installer will be able to help you choose the correct drain.

For a topmount application, we recommend an Easy Drain.

## INSTALLATION

### Step 1:

Mark on the wood sub-floor the cutting location for the drain flange to coincide with the tub location.

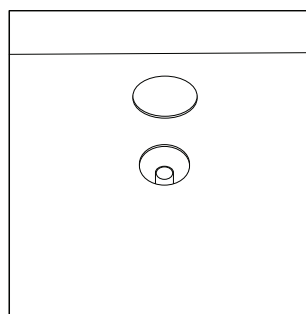
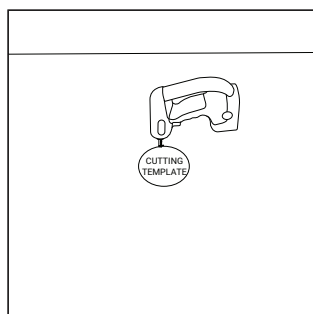


Outline tub on floor to ensure drain is centered

## INSTALLATION (continued)

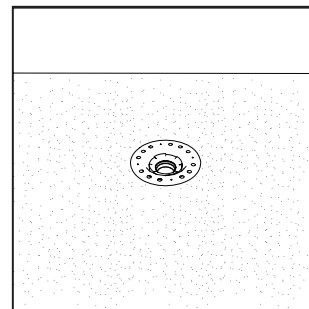
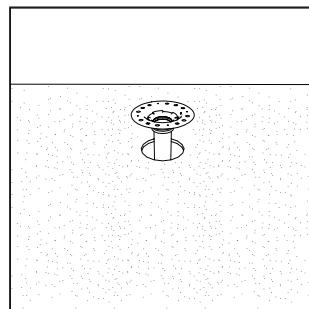
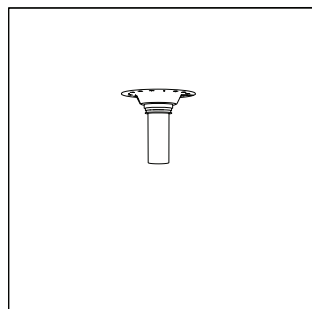
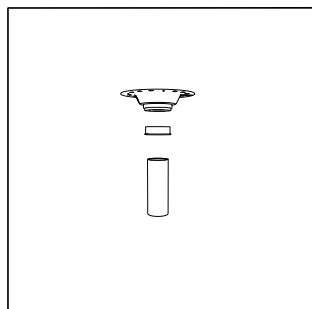
### Step 2 (Easy Drain install):

Cut appropriately sized hole into the wood subfloor for the drain flange.



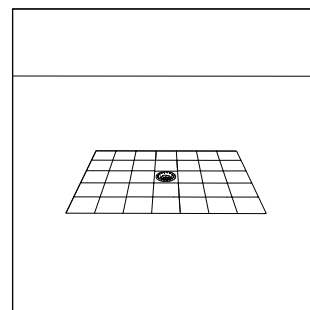
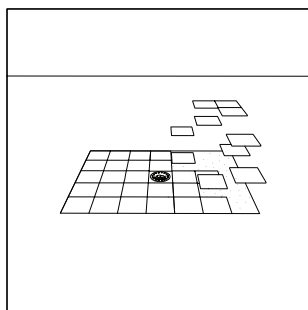
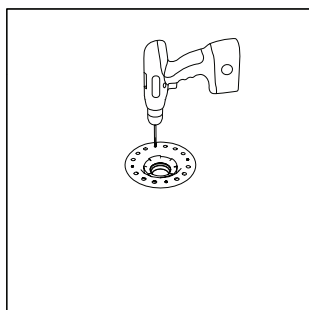
### Step 3 (Easy Drain install):

Assemble the drain (Easy Drain) and insert assembly into the floor opening.



### Step 4 (Easy Drain install):

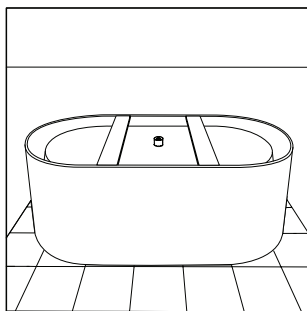
Screw the drain (Easy Drain) into place, and install ceramic tile or desired flooring.



## INSTALLATION (continued)

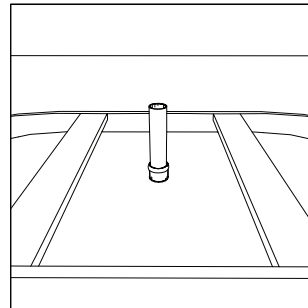
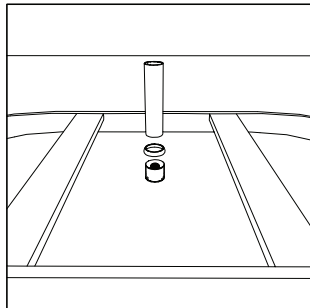
### Step 5 (Tub install):

TWO PEOPLE ARE REQUIRED FOR THIS STEP. Turn the tub upside down and check tub feet for function. If necessary, pre-level tub feet with acrylic base to lessen adjustment in further steps.



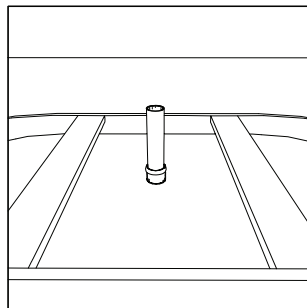
### Step 6 (Tub install):

Affix the appropriate brass tailpiece to the waste and overflow bottom outlet.  
NOTE: Do not cut the supplied brass tailpiece, as doing so may cause a leak.



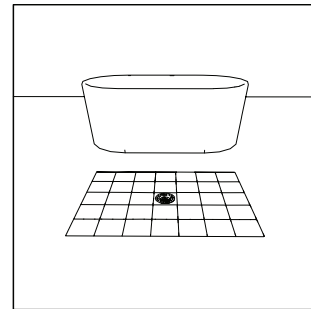
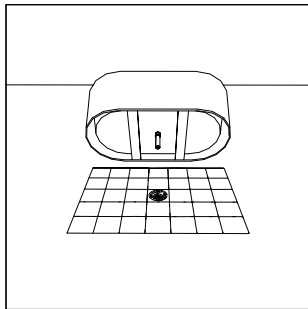
### Step 7 (Tub install):

Ensure the measurements between the base of the drain and the P-trap will accommodate the tailpiece. APPLY LUBRICANT TO THE TAILPIECE BEFORE INSTALLING.

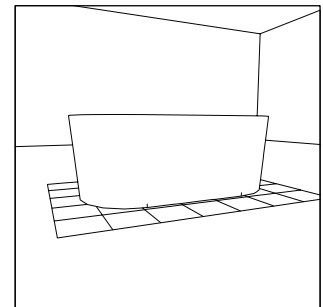
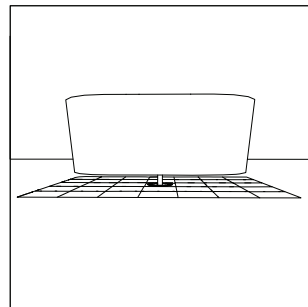
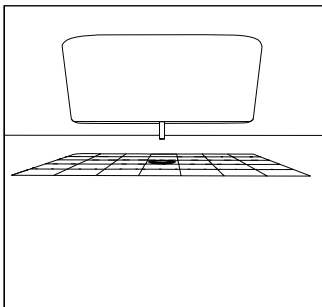


**INSTALLATION (continued)****Step 8 (Tub install):**

TWO PEOPLE ARE REQUIRED FOR THIS STEP. Once the tailpiece has been installed onto the drain portion of the waste and overflow, position the tub and tailpiece in line with the Easy Drain.

**Step 9 (Tub install):**

TWO PEOPLE ARE REQUIRED FOR THIS STEP. Carefully lower the tub with the installed brass tailpiece, as vertical as possible, into the collar in the drain assembly. Place level across tub. Adjust tub feet so all four feet contact the floor and tub is level in all directions.



Silicone around base to secure.  
Wait 24 Hours before use.

**TROUBLESHOOTING**

**Problem: Water accumulates around the drain, and the bathtub does not empty completely.**

Solution: Check that the installation is level and that the bathtub sits firmly on its base.

**Problem: Bottom of bathtub moves during use.**

Solution: Bathtub is not level on all feet. Readjust tub feet if necessary.

**Problem: Polyethylene film will not come off.**

Solution: Lightly heat surface with a hair dryer and peel film as the adhesive softens.



## CLEANING & CARE

**General cleaning:** Cleaning can be accomplished with hot, soapy water and a damp cloth. Whirlpool systems can be cleaned by running bleach, or a mixture of baking soda and vinegar through the system while in use; then cycling the cleaner. After cleaning is complete, refill with water, and allow the system to run through a thorough rinse; cycling the water through the whirlpool jets to clear them. Weekly cleaning is recommended for tubs and whirlpool jetting systems.

Regular cleaning provides an effective defense against various types of bacteria capable of developing in deposits which can build up over time in all bathtubs and showers.

For acrylic surfaces, occasional use of special acrylic surface cleaners will add luster and protect your finish. Do not use abrasive cleaners, scrapers, metal brushes, or any items or products that could scratch or dull the surface.

**Removing joint compound:** Use a plastic or wood spatula covered with a damp cloth. Do not use any metal blades or a metal brush. If a rubber mat is used, it must be removed immediately after each use. Ignoring this recommendation will cause damage not covered by the warranty.

Congratulations on becoming a part of the Miseno family!