

PRODUCT SPECIFICATIONS

Elkay Avado Single Hole 2-in-1 Kitchen Faucet with Filtered Drinking Water. Faucet has a flow rate of 1.5 GPM, and is made of Brass material, with a Ceramic Disc valve. Faucet requires 1 faucet holes.

Mounting Type:	Deck Mount
Special Features:	Filtered
Spray Type:	Pull Down
Finish:	Chrome (CR), Lustrous Steel (LS), Matte Black (MB)
Handle Type:	Lever Handle
Deck Clearance:	9-13/16"
Spout Reach:	8-3/4"
Spout Height:	17-1/8"
Hole Drillings:	1
Material:	Brass
Valve Type:	Ceramic Disc
Valve Connection:	1/2"-14 NPSM
Flow Rate:	1.5 GPM
Faucet Hole Size (min):	1-3/8"
Countertop Thickness:	2-1/2"
Spout Type:	Pull-down Spray
Spray Functions:	Aerated



Faucet Part Number	Finish
2000000331	Chrome
2000000332	Lustrous Steel
2000000346	Matte Black



Included with Product: Faucet with Filter ERF750 and Deck Plate / Escutcheon LK134

A Century of Tradition and Quality. For more than 100 years, Elkay has been making innovative products and providing exceptional customer care. We take pride in offering plumbing products that make life easier, inspire change and leave the world a better place.

Product Compliance: ADA & ICC A117.1
ASME A112.18.1/CSA B125.1
CEC
NSF 61
NSF 372 (lead free)

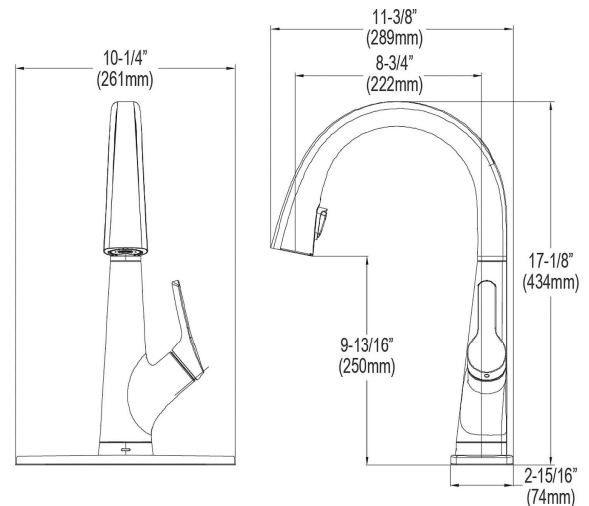
Accessory: NSF 42
NSF 53



Complies with ADA & ICC A117.1 accessibility requirements when installed according to the requirements outlined in these standards.

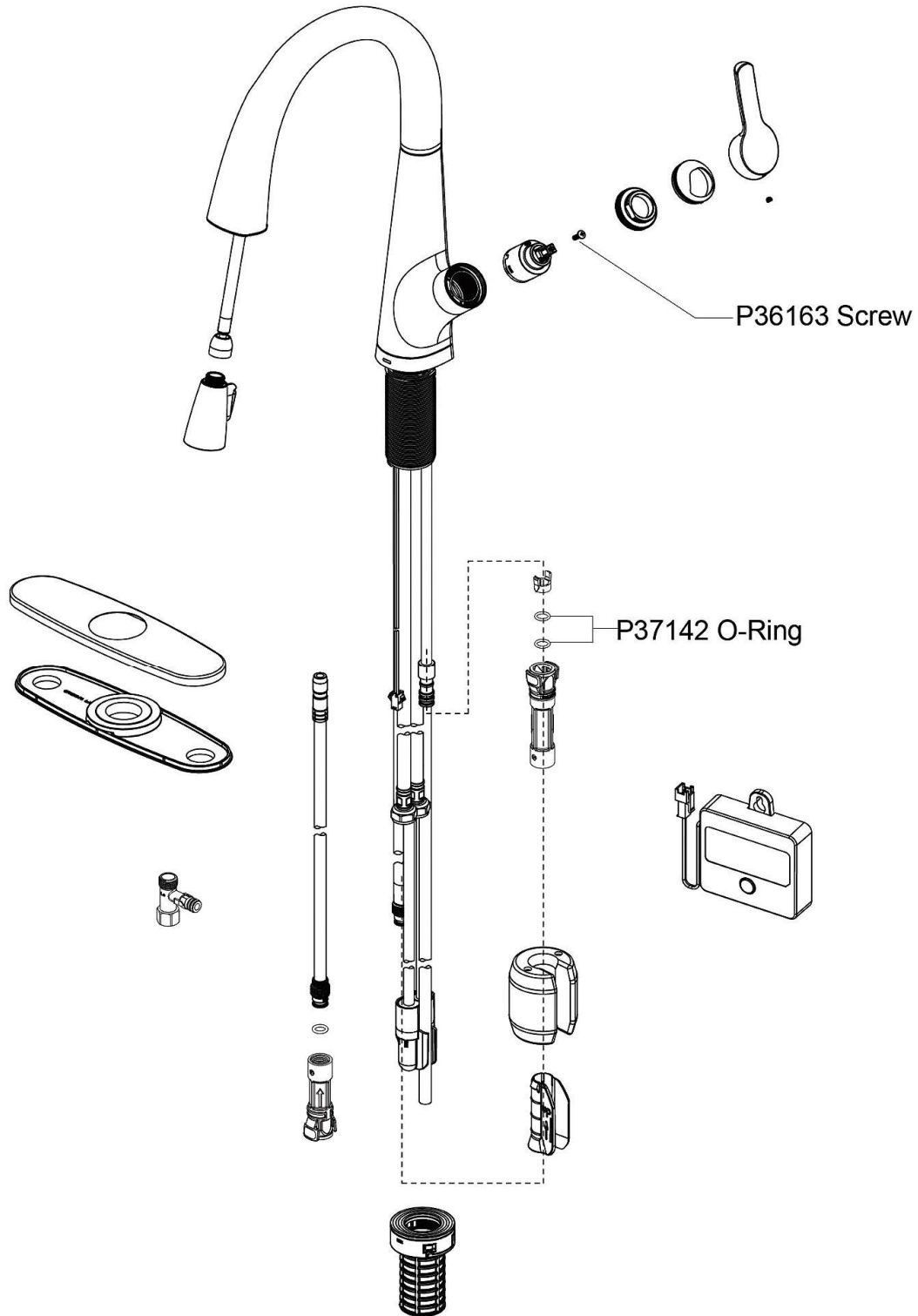
[Clean and Care Manual \(PDF\)](#)
[Installation Instructions \(PDF\) - 2000000348](#)
[Warranty \(PDF\)](#)

Similar models are available with: included accessories (kit)



PART: _____ QTY: _____
 PROJECT: _____
 CONTACT: _____
 DATE: _____
 NOTES: _____
 APPROVAL: _____

In keeping with our policy of continuing product improvement, Elkay reserves the right to change product specifications without notice. Please visit elkay.com for the most current version of Elkay product specification sheets. This specification describes an Elkay product with design, quality, and functional benefits to the user. When making a comparison of other producers' offerings, be certain these features are not overlooked.



In keeping with our policy of continuing product improvement, Elkay reserves the right to change product specifications without notice. Please visit elkay.com for the most current version of Elkay product specification sheets. This specification describes an Elkay product with design, quality, and functional benefits to the user. When making a comparison of other producers' offerings, be certain these features are not overlooked.