

KOHLER[®] Faucets Smart home water monitor and automatic shutoff valve

H2Wise™+

K-33604

Features

- 24/7 monitoring of all water lines in your home—great for finding ways to conserve water.
- Fixed ultrasonic flow meter and high-definition pressure sensors analyze your home's water usage and measure changes 240 times per second, quickly detecting leaks.
- KOHLER Konnect® app sends real-time alerts to your phone if system detects changes in water pressure that signal potential water leakage or other plumbing problems.*
- Internal valve can be set up to close automatically; can also be closed remotely via the KOHLER Konnect® app, or manually with a local switch or small screwdriver.
- Freeze warnings let you take action against frozen pipes to avoid costly damage.

Material

- Premium material construction for durability and reliability.
- Gore-Tex® vent prevents internal condensation buildup.

Installation

- Requires Wi-Fi and AC power.
- Installs on main water supply line after water meter or well pump system; inside or outside the home.
- Compatible with plumbing up to 1-1/4"; requires two 3/4" water meter couplings (sold separately).
- Professional installation recommended.
- *KOHLER Konnect® app pairs with Amazon Alexa and Google Home.
- Google, Google Home and Google Play are trademarks of Google LLC.



Codes/Standards

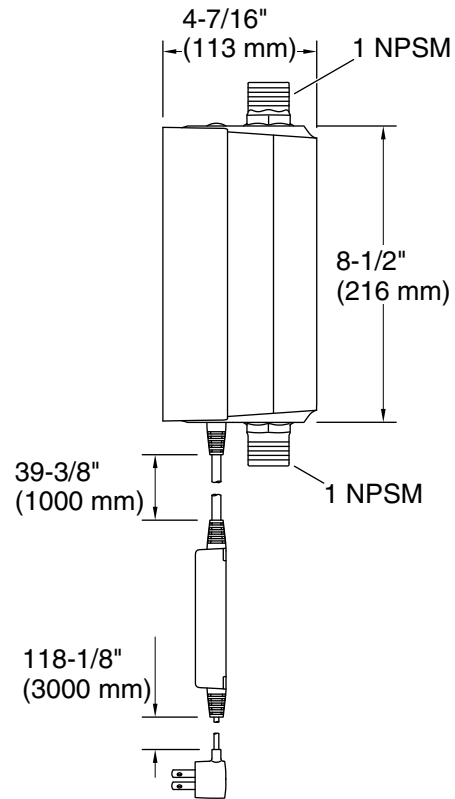
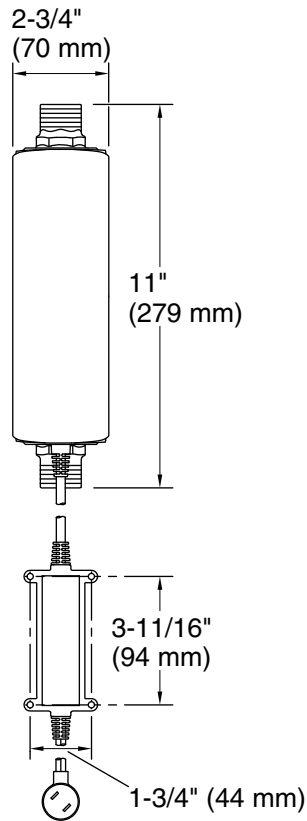
NSF/ANSI 372

NSF/ANSI 61

KOHLER® Smart Home Water Leak Detector Two-Year Limited Warranty

See website for detailed warranty information.

KOHLER Faucets Smart home water monitor and automatic shutoff valve **H2Wise™+**
K-33604



Required Electrical Service

One circuit required.

120 V, 0.8 A, 60 Hz

Technical Information

All product dimensions are nominal.

Power source: Plug - AC, included